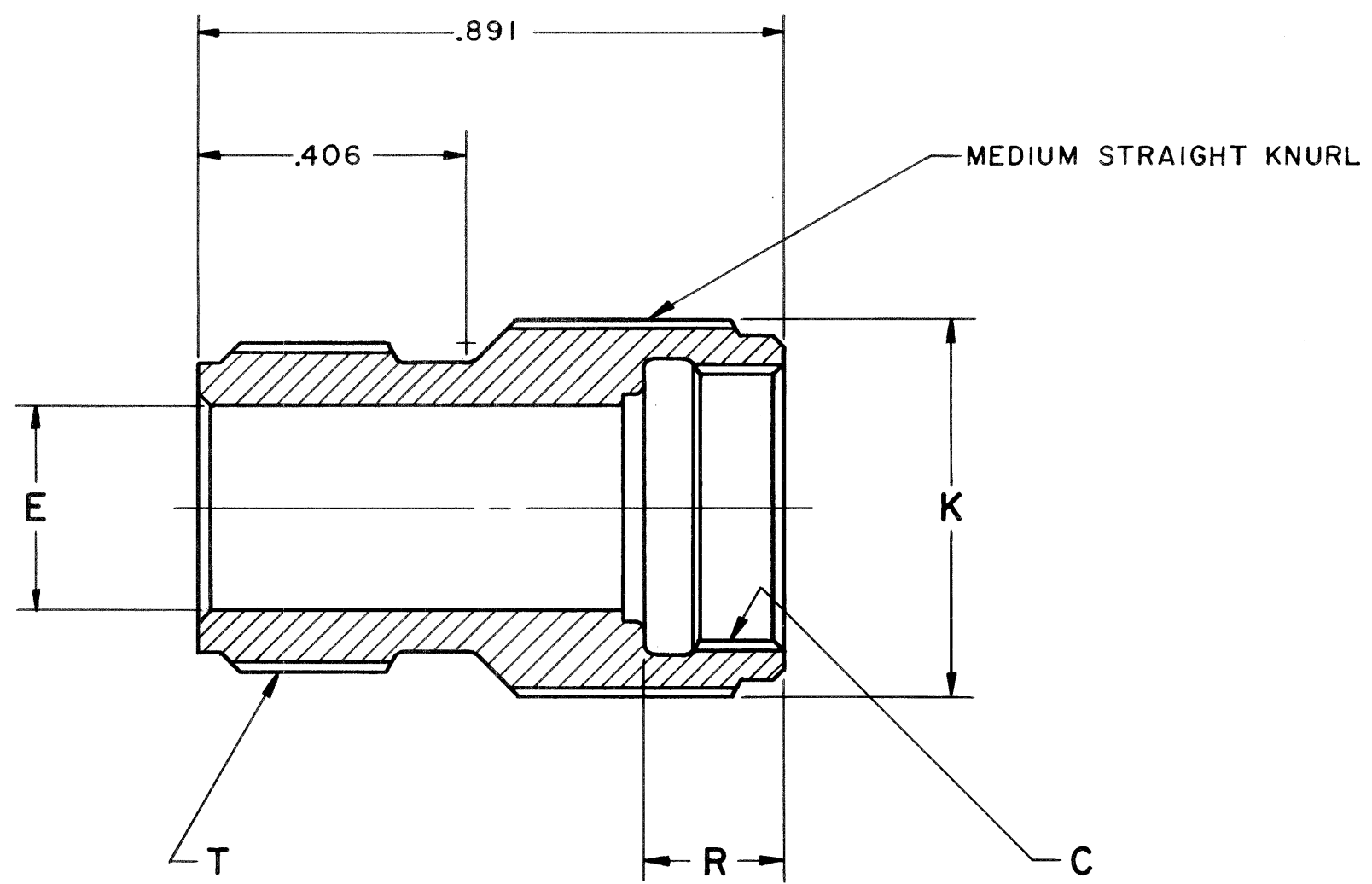


PART NUMBER	C THREAD CLASS 2B	E DIA ±.005	K DIA MAX	R +.000 -.010	T THREAD CLASS 2A	RELEASE	MADE FROM
10-123011-6	.3125-32 UNEF	.190	.469	.215	.3750-32 UNEF	31508-287	10-123011-6B
-8	.4375-28 UNEF	.312	.594		.5000-28 UNEF		-8B
-10	.5625-24 UNEF	.436	.719		.6250-24 UNEF		-10B
-12	.6875-24 UNEF	.561	.844		.7500-20 UNEF		-12B
-14	.8125-20 UNEF	.678	.969		.8750-20 UNEF		-14B
-16	.9375-20 UNEF	.802	1.094		1.0000-20 UNEF		-16B
-18	1.0625-18 UNEF	.894	1.219		1.1875-18 UNEF		-18B
-20	1.1875-18 UNEF	1.029	1.312	.312	1.1875-18 UNEF		-20B
-22	1.3125-18 UNEF	1.150	1.469		1.4375-18 UNEF		-22B
-24	1.4375-18 UNEF	1.274	1.594		1.4375-18 UNEF	33524-599	-24B

REL NO. 31508-287		REVISIONS			
CHG NO.	SYM	DESCRIPTION	DATE	APPROVED	
43525-746	A1	REDRAWN, WAS SIZE "B" TYPE WRITTEN; PROVIDED ENVELOPE DWG	11-21-64	W. GAY	
47524-170	A2	ADD & REL -XX9 FINISH	11-1-65	W. GAY	
55524-58	A3	ADD & REL -XXG FINISH	11-1-67	DEMATTIO	
72024-54	B	(CLII) ADD & REL -XX7 FINISH	5/12/81	WILKINSON	
76484-1	C	(CLII) ADDED MADE FROM COLUMN	11-2-65	WILKINSON	
80444-1	D	(CLII) ADD & REL -XX7 FINISH TO NOTE 1	9-1-69	WILKINSON	
82906	E	(CLII) ADD & REL -XXY FINISH	3-5-97	JED	
85035	F	ADD AND REL -XXX FINISH TO COLUMN	11/1/83	JED	
85448	G	(CLII) SEE ECN: 85448	4-27-99	JED	
86546	H	(CLII) ADD & RELEASE -XXU FINISH & DATA	4-28-99	JED	



3. REF SYMBOL

2. THREADS ARE IN ACCORDANCE WITH FEDERAL HANDBOOK H-28.

1. TO COMPLETE PART NO., ADD APPLICABLE LAST DIGIT TO SUFFIX FOR DESIRED FINISH.

CHROMATE TREAT	SUFFIX - XX0
CADMIUM PLATE	SUFFIX - XX1
BLACK ANODIZE	SUFFIX - XX2
CADMIUM PLATE OLIVE DRAB	SUFFIX - XX3
GREY ANODIZE	SUFFIX - XX4
ANODIC COATING	SUFFIX - XX5
BRIGHT CADMIUM PLATE, NICKEL BASE	SUFFIX - XX7
NICKEL ALLOY PLATE	SUFFIX - XXG
CAD PLATE, O.D. NICKEL BASE	SUFFIX - XX9
BRIGHT NICKEL	SUFFIX - XX8
BLACK ZINC ALLOY PLATE	SUFFIX - XXY
BLACK ZINC CONDUCTIVE	SUFFIX - XXX

RELEASE NO.	
38524-872	9-3350 GREEN ZINC
35524-218	9-2158 ALLOY PLATE
35524-218	9-3487 SUFFIX-XXU 9-9263
32525-260	9-3047
31508-287	9-3487
35508-72	9-3290
55524-58	9-4332
47524-170	9-6914
42524-249	9-4960
	9-3435
	9-9181
	9-9181-1

USE OF THIS DOCUMENT IS UNLIMITED. DOCUMENTS REFERENCED HEREON CONTAIN LIMITED RIGHTS DATA.

ITEM NO.	QTY REQD	DESCRIPTION	PART NUMBER	CODE IDENT	ZONE
PARTS LIST					
UNLESS OTHERWISE SPECIFIED					
LINEAR DIMENSIONS ARE IN INCHES. TOLERANCES: 3 PLACES ±.010; 2 PLACES ±.03; 1 PLACE ±.1; ANGLES ±2°. OTHER STANDARDS PER SCINTILLA SPEC 9-3800 AND MIL-STD 8.					
MATERIAL SPEC ALUMINUM ALLOY		PROCESS SPEC	DRAWN: HAYES DATE: 7-12-56 CHECKED: Teelon DATE: 4-7-65 MATERIAL: STANDARDS: J. Balantini 4-7-65 DRAFTING: D Sweet 4-7-65 ENGINEERING: W. J. Harrison 4-7-65 DEVELOPMENT:		
SCINTILLA DIVISION CORPORATION SIDNEY, NEW YORK, U.S.A.					
ADAPTER, ELECTRICAL CONNECTOR, TYPE PB( ), ( ENVELOPE DRAWING )					
CODE IDENT NO. 77820		SIZE C	10-123011		
SCALE NONE	WT	REF	SHEET		

10-123011

## X-ON Electronics

Largest Supplier of Electrical and Electronic Components

*Click to view similar products for [Circular MIL Spec Strain Reliefs & Adapters](#) category:*

*Click to view products by [Amphenol](#) manufacturer:*

Other Similar products are found below :

[896227-000](#) [899170S004](#) [6000-063-0022](#) [613751-000](#) [CS6624-000](#) [620AB038Z136](#) [620AS001Z108](#) [620AS038Z112](#) [620AS038Z120](#)  
[620AS038Z132](#) [620FB038NF08](#) [620HA038NF13](#) [620HA038NF25](#) [620HA042XM13](#) [620HB049NF17](#) [620HS011NF21](#) [620HS038NF11](#)  
[620HS038Z121](#) [620HS042XM19](#) [620HS042XM25](#) [620HS042XW13](#) [620HS048B17](#) [620MS064NF09](#) [620MS064NF12](#) [620MS065M12](#)  
[620MS065Z107](#) [620MS065ZNU06](#) [630J041M06H](#) [630J041M20H](#) [640830-000](#) [659943-000](#) [66241-10A](#) [CW0597-000](#) [CW0598-000](#)  
[CW0948-000](#) [CY0122-000](#) [M85049/41-6A W/B](#) [M85049/42-12DS](#) [M85049/47N8](#) [M85049/47W18](#) [M85049/51-1-14S](#) [M85049/51-1-8W](#)  
[M85049/51S16S](#) [M85049/60-1N16](#) [M85049/60-2G12W](#) [M85049/69-11N](#) [CZ3661-000](#) [D02922-000](#) [70.360.1628.0](#) [703797-000](#)