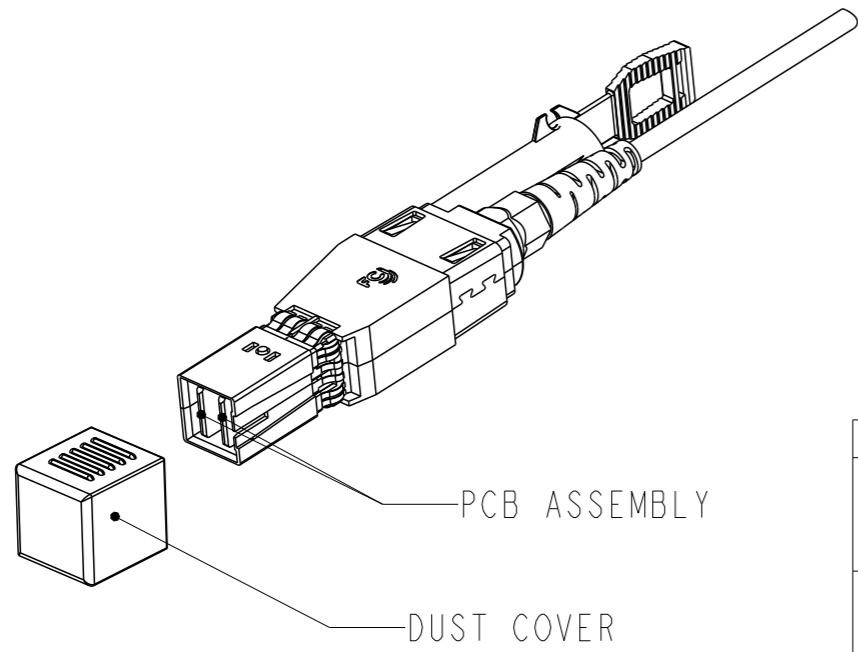
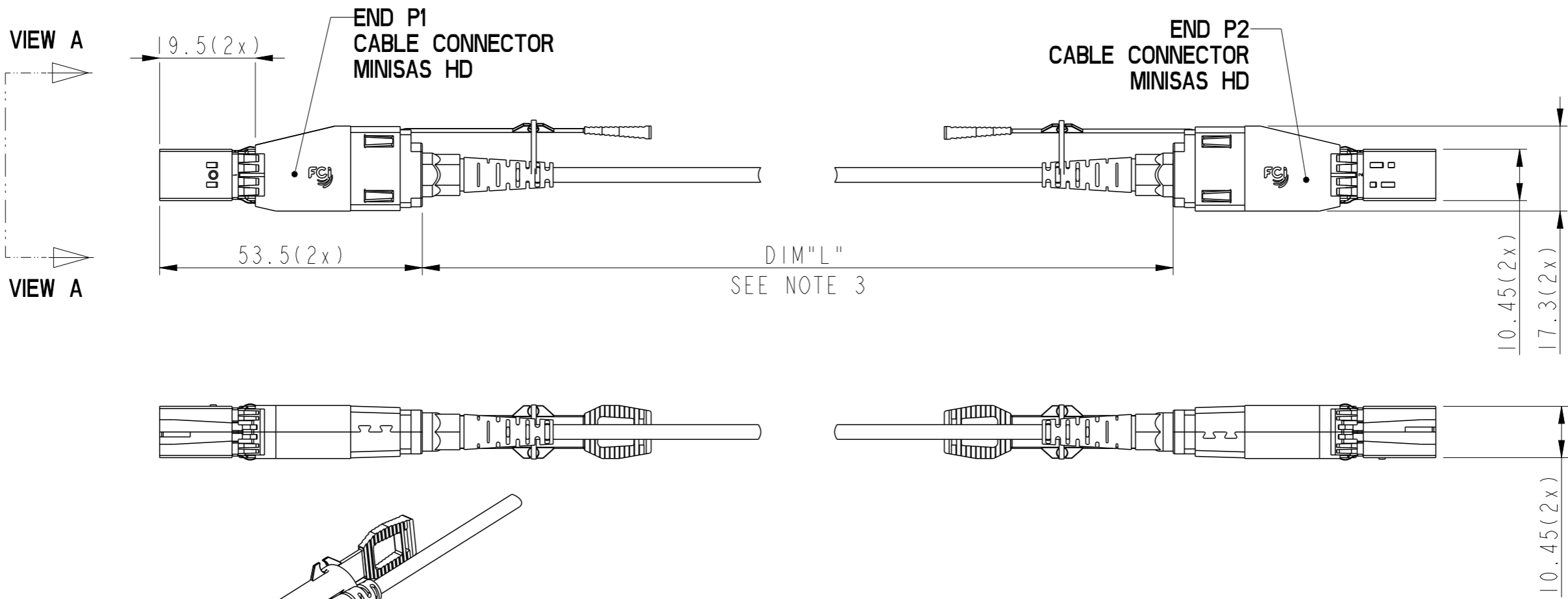


PRODUCT NUMBER	DESCRIPTION
10123196-200LXXX	STRAIGHT BOOT

PRODUCT NUMBER DESCRIPTION:

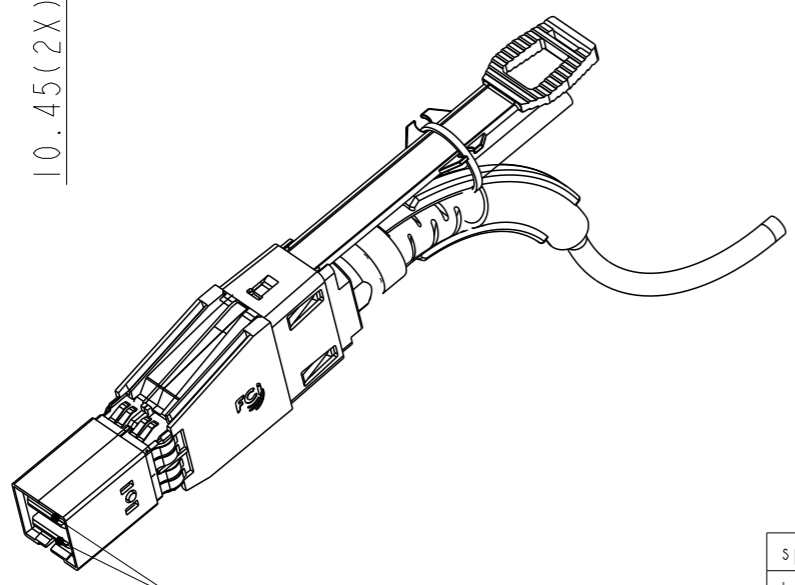
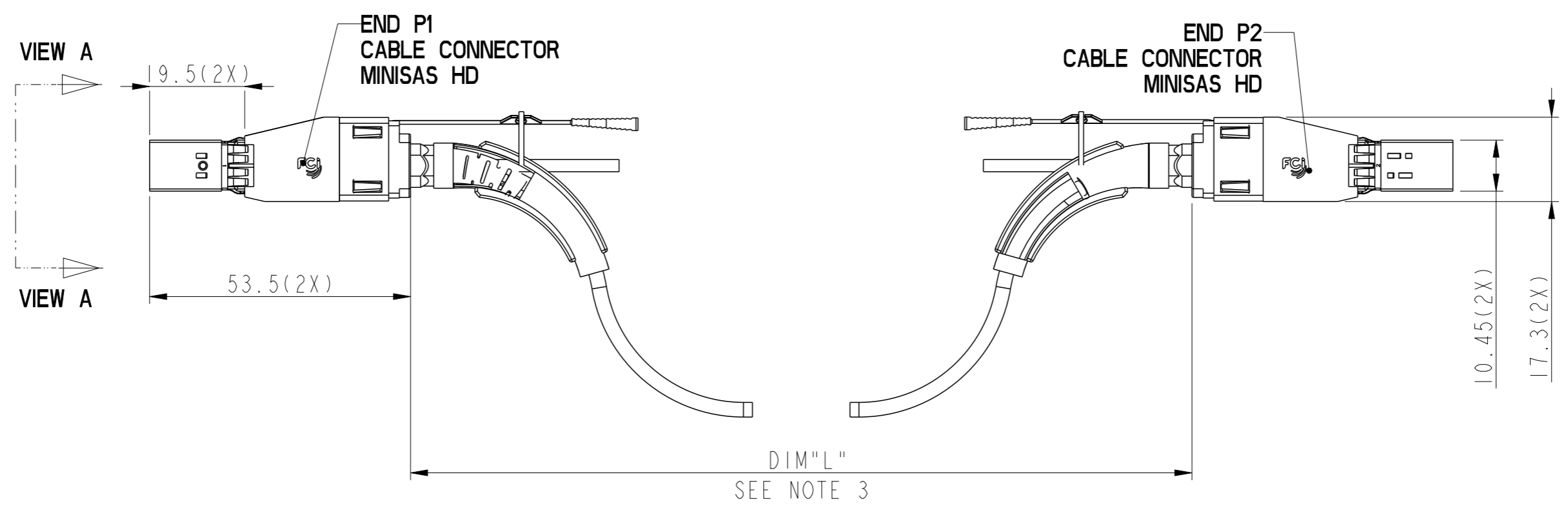
10123196-200LXXX

LENGTH
 XXX= METERS
 EXAMPLE:005 = 5 METERS (DIM "L")
 100 = 100 METERS (DIM "L")
 L=LOW SMOKE ZERO HALOGEN JACKET
 S=STANDARD JACKET FIBER (OFNP).
 0=STRAIGHT BOOT EXIT
 1=RIGHT ANGLE BOOT EXIT
 TYPE OF FIBER
 2=OM2(LENGTH UP TO 20M)
 3=OM3(LENGTH LONGER THAN 20M)



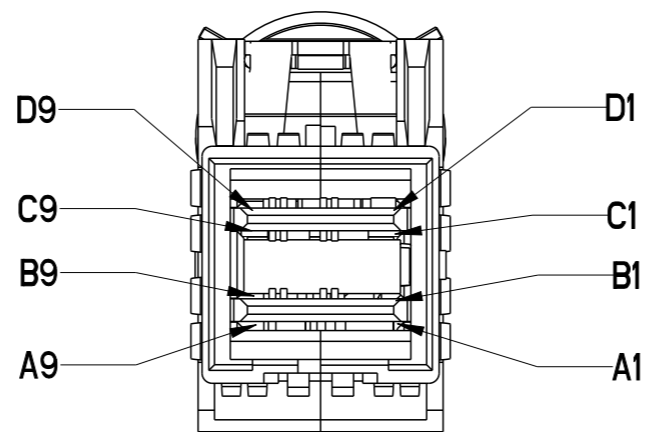
spec ref	-	dr	Sun Shine	2013/01/15	projection	mm	size	A3	scale	1:3
tolerance std	ISO 406 ISO 1101	eng	Sun Shine	2014/01/06			ecn no	-	rel level	Released
TOLERANCES UNLESS OTHERWISE SPECIFIED		chr	-	2014/01/06						
surface	ISO 1302	appr	Wei-Zhong Hu	2014/01/06			dwg no	10123196	rev	F
	linear	0.X	±0.3		cat. no.	-	Product - Customer Drw		sheet 1 of 3	
		0.XX	±0.10							
		0.XXX	±0.005							
	angular	0°	±2°							

PRODUCT NUMBER	DESCRIPTION
10123196-201LXXX	RIGHT ANGLE BOOT



Copyright FCI.

spec ref	-	dr	Sun Shine	2013/01/15	projection	mm	size	A3	scale	1:3
tolerance std	ISO 406 ISO 1101	eng	Sun Shine	2014/01/06			ecn no	ELX-N-16563-1		
surface	✓	chr	-	rel level			Released			
		appr	Wei-Zhong Hu	2014/01/06	product family	-	rel level	Released		
linear	0.X ±0.3 0.XX ±0.10 0.XXX ±0.005	www.fci.com	FCI		title	MINISAS HD AOC		dwg no	10123196	
angular	0° ±2°	cat. no.	-		Product - Customer Drw	sheet 2 of 3		rev	F	



VIEW A-A
PIN ASSIGNMENTS

EDGE CONNECTOR PAD DESCRIPTION			
POSITION	SYMBOL	POSITION	SYMBOL
D9	GROUND	B9	GROUND
D8	Tx2-	B8	Rx2-
D7	Tx2+	B7	Rx2+
D6	GROUND	B6	GROUND
D5	Tx0-	B5	Rx0-
D4	Tx0+	B4	Rx0+
D3	GROUND	B3	GROUND
D2	Vman	B2	ModPrs l
D1	Vact	B1	Vact
C1	SCL	A1	Reserved
C2	SDA	A2	Int l
C3	GROUND	A3	GROUND
C4	Tx1+	A4	Rx1+
C5	Tx1-	A5	Rx1-
C6	GROUND	A6	GROUND
C7	Tx3+	A7	Rx3+
C8	Tx3-	A8	Rx3-
C9	GROUND	A9	GROUND

NOTES:

- MATERIAL:
COVERS : ZINC ALLOY/ COPPER UNDERPLATE/ NICKEL OVERPLATE
PULL TAB: THERMOPLASTIC POLYMER
LATCH : STAINLESS STEEL
EMI SKIRT: STAINLESS STEEL
STRAIN RELIEF BOOT : THERMOPLASTIC
PADDLE CARD: PRINTED CIRCUIT SUBSTRATE-FR4
DUST COVER : POLY ETHYLENE
- THIS PRODUCT MEETS THE RESTRICTION OF HAZARDOUS SUBSTANCES IN ELECTRICAL AND ELECTRONIC EQUIPMENT (RoHS).DIRECTIVE 2002/95/EC.
- THIS DIMENSION IS A FINISHED PRODUCT LENGTH.
- A "△" SYMBOL WILL BE NEXT TO ANY DIMENSION, VIEW, OR NOTE WHICH HAS BEEN MODIFIED WITH THE CURRENT DRAWING REVISION. THE CURRENT REVISION WILL BE SHOWN IN THE SYMBOL.
- REFERENCE TO PRODUCT SPECIFICATION GS-12-1122

spec ref	-	dr	Sun Shine	2013/01/15	projection	mm	size	A3	scale	1:3
tolerance std	ISO 406 ISO 1101	eng	Sun Shine	2014/01/06			ecn no	ELX-N-16563-1	rel level	Released
TOLERANCES UNLESS OTHERWISE SPECIFIED		chr	-	-						
surface	ISO 1302	appr	Wei-Zhong Hu	2014/01/06	product family	-	rel level	Released		
	linear	0.X	±0.3		title MINISAS HD AOC	dwg no 10123196	rev F			
		0.XX	±0.10							
		0.XXX	±0.005							
	angular	0°	±2°	www.fci.com	cat. no.	-	Product - Customer Drw	sheet 3 of 3		

X-ON Electronics

Largest Supplier of Electrical and Electronic Components

Click to view similar products for [Fiber Optic Cable Assemblies](#) category:

Click to view products by [Amphenol](#) manufacturer:

Other Similar products are found below :

[7-21002-9](#) [760-1518](#) [FA04390-50-M-72-LC-N](#) [MLB 501 V RED](#) [MLB 501 V YELLOW](#) [8-21000-7](#) [8-21084-1](#) [FXE3-10BM15](#) [FXE3-10FM5](#) [FZB3-NM1](#) [1-3636-600-5208](#) [1-5018030-0](#) [ICD040GVP163D-07](#) [2901797](#) [1-6693182-0](#) [1754898-1](#) [F512D5-5F23Y](#) [F912B10-NM2](#) [FAP12WFDBDBDLCZ](#) [21055-6](#) [FXBSCSCE2LM002](#) [FXE3-10AM10](#) [FXE3-10AM20](#) [FXE3-10BM7](#) [FXE3-10FM15](#) [FXE3-10FM3](#) [FXE3-10FM4](#) [FXE3-10FM7](#) [FXE3-10GM3](#) [FZE10-10M6](#) [FZOPE10-10M5](#) [3000005](#) [3-21053-2](#) [MLB 200/1 V BLACK](#) [MLB 2001 V YELLOW](#) [MLB 501 V BLACK](#) [5492011-6](#) [106284-7000](#) [5492011-5](#) [5492011-8](#) [5492011-9](#) [CF-901201-007](#) [7-21000-4](#) [8-21007-5](#) [8-21084-0](#) [3-5106081-0](#) [106386-4447](#) [2-2064140-6](#) [F92ELLNSNSNM003](#) [2-2064140-3](#)