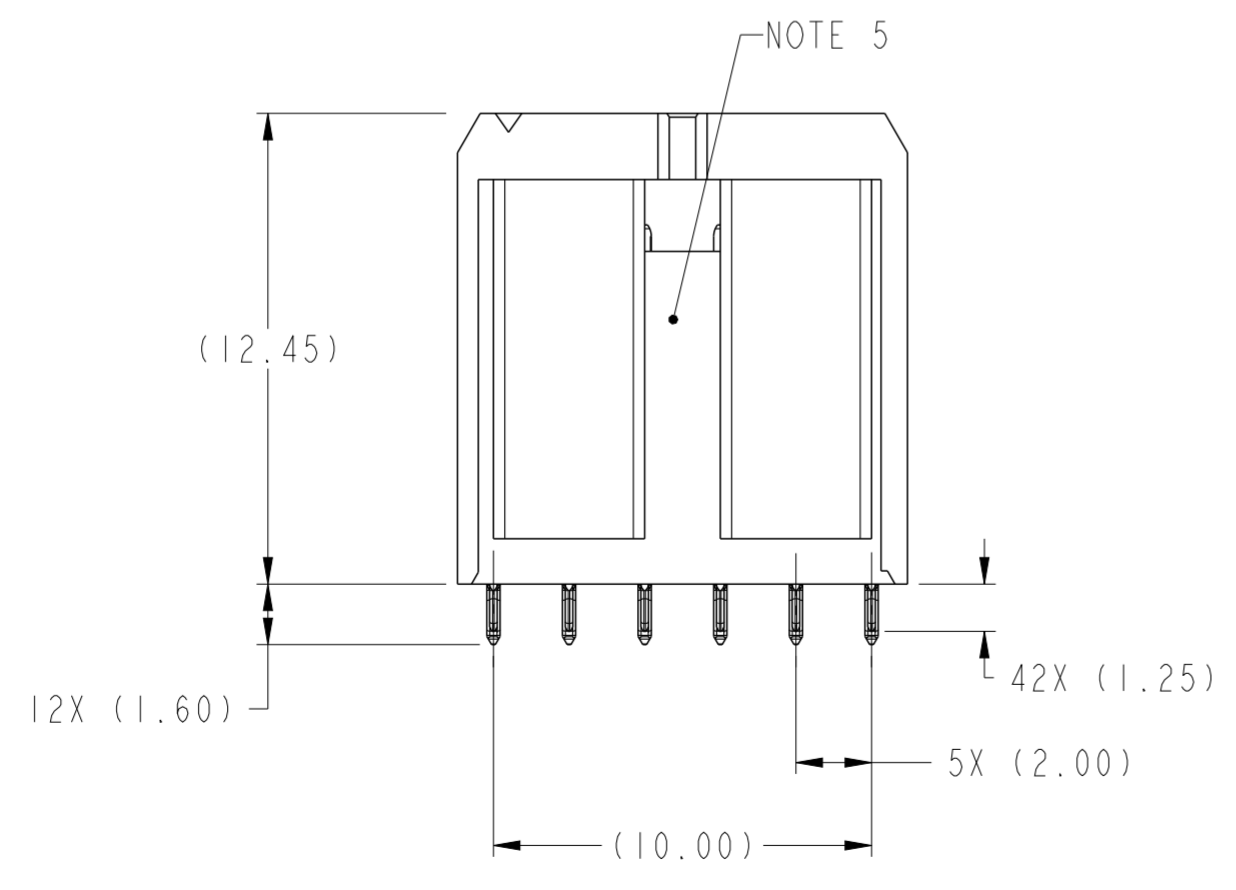
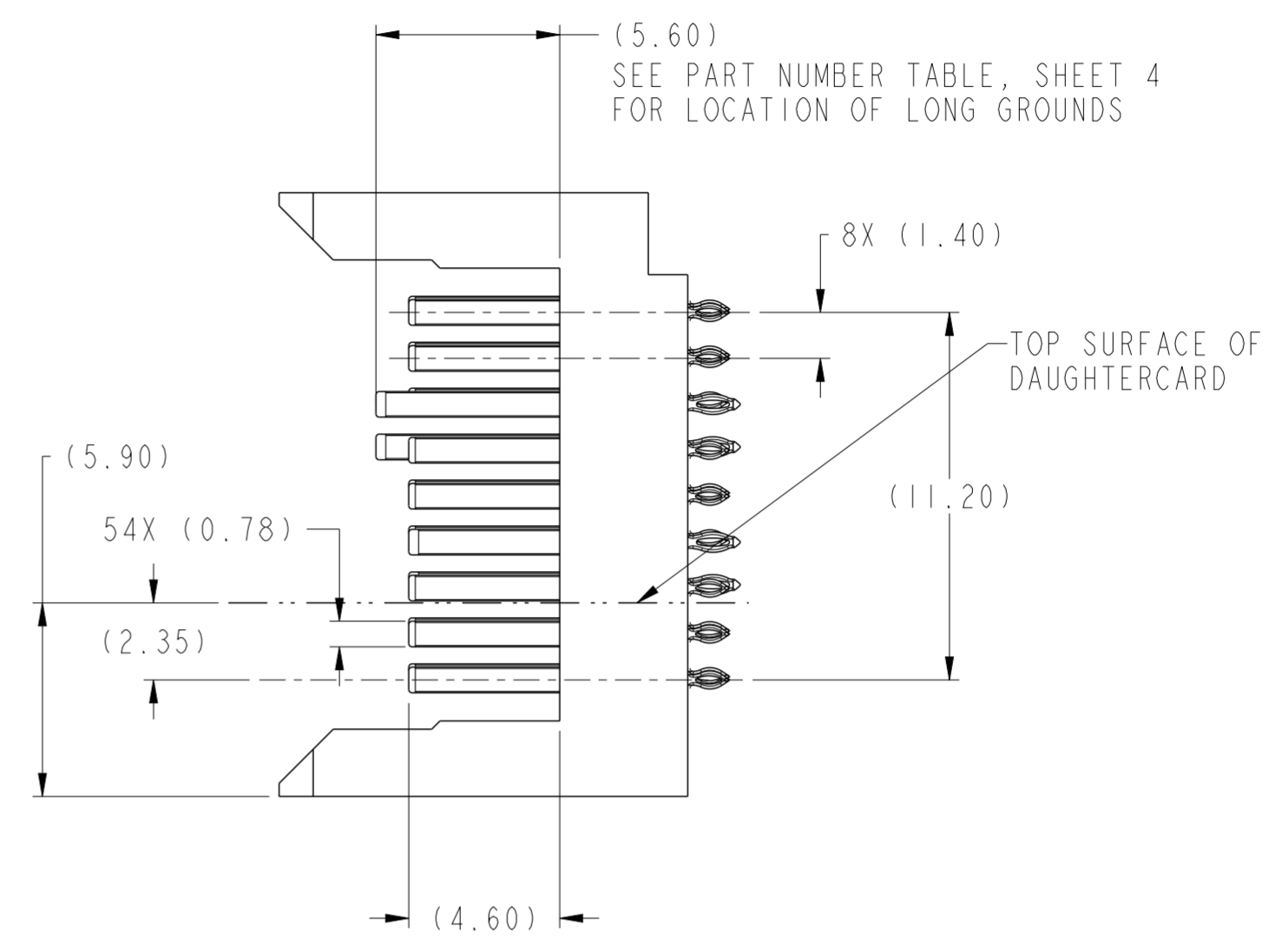
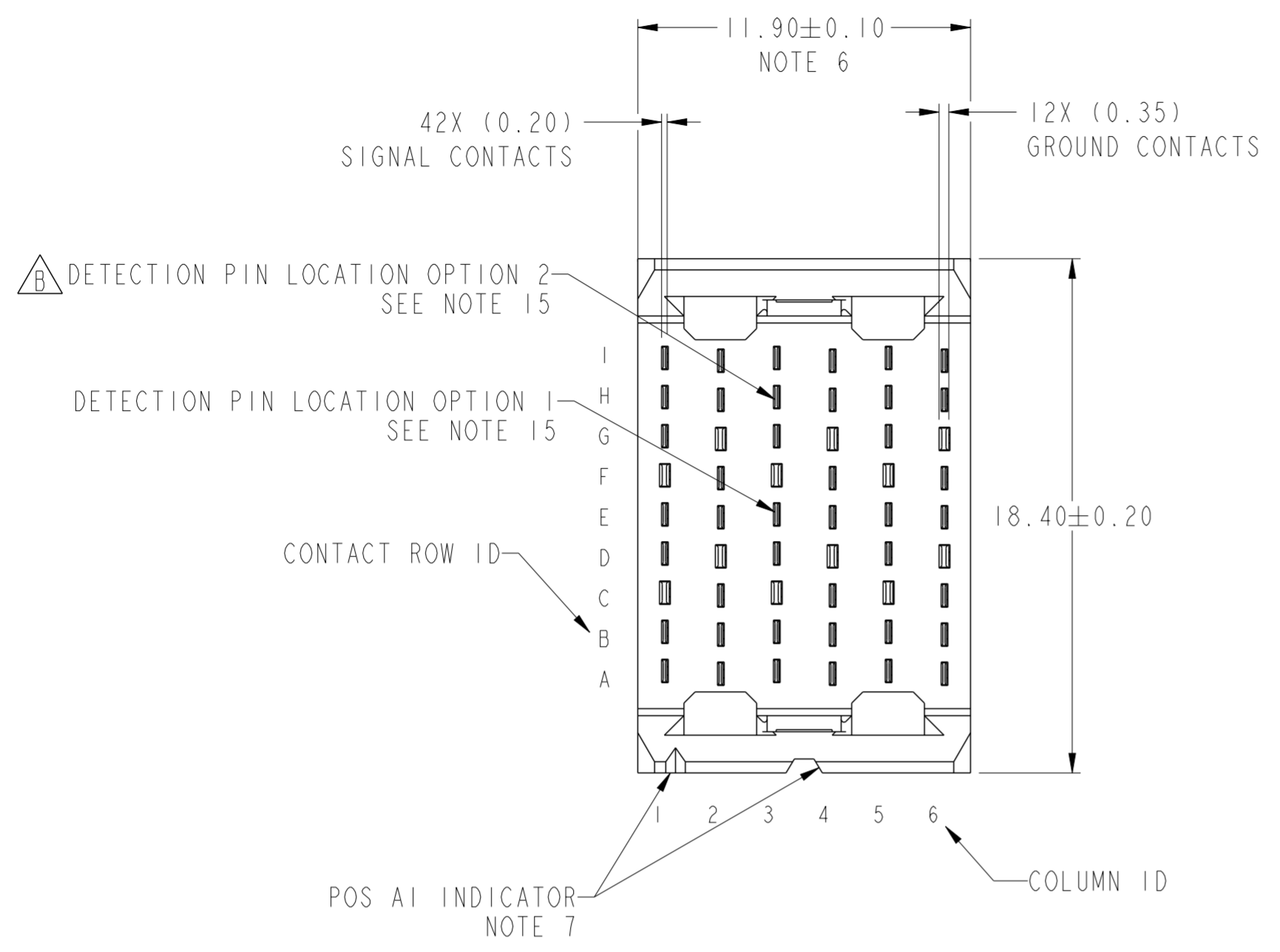


Product number  
SEE TABLE, SHT 3

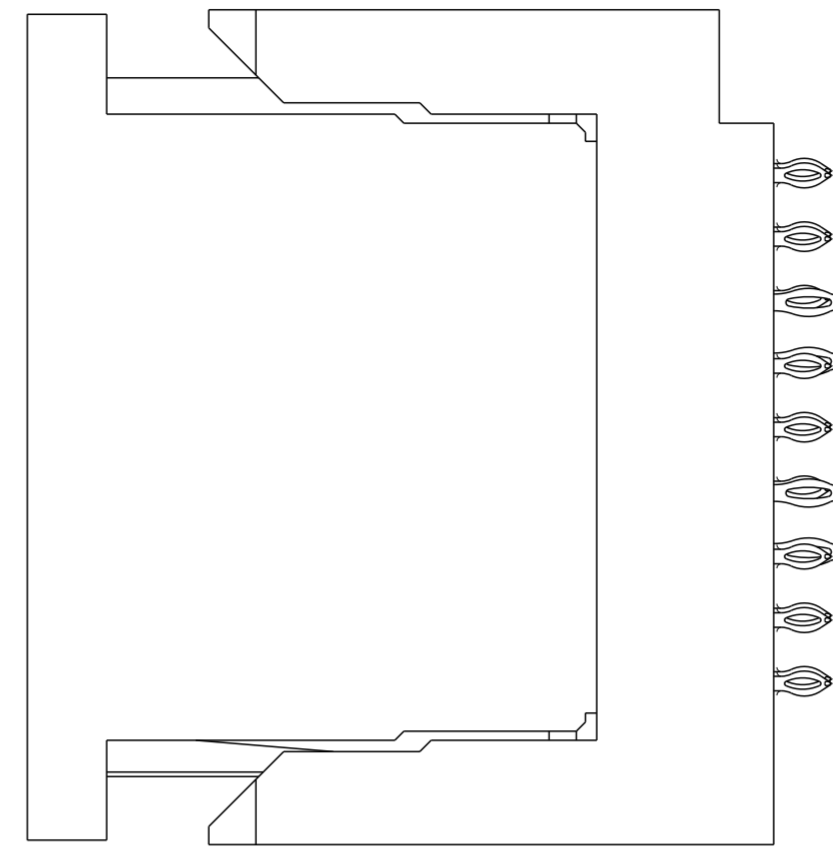
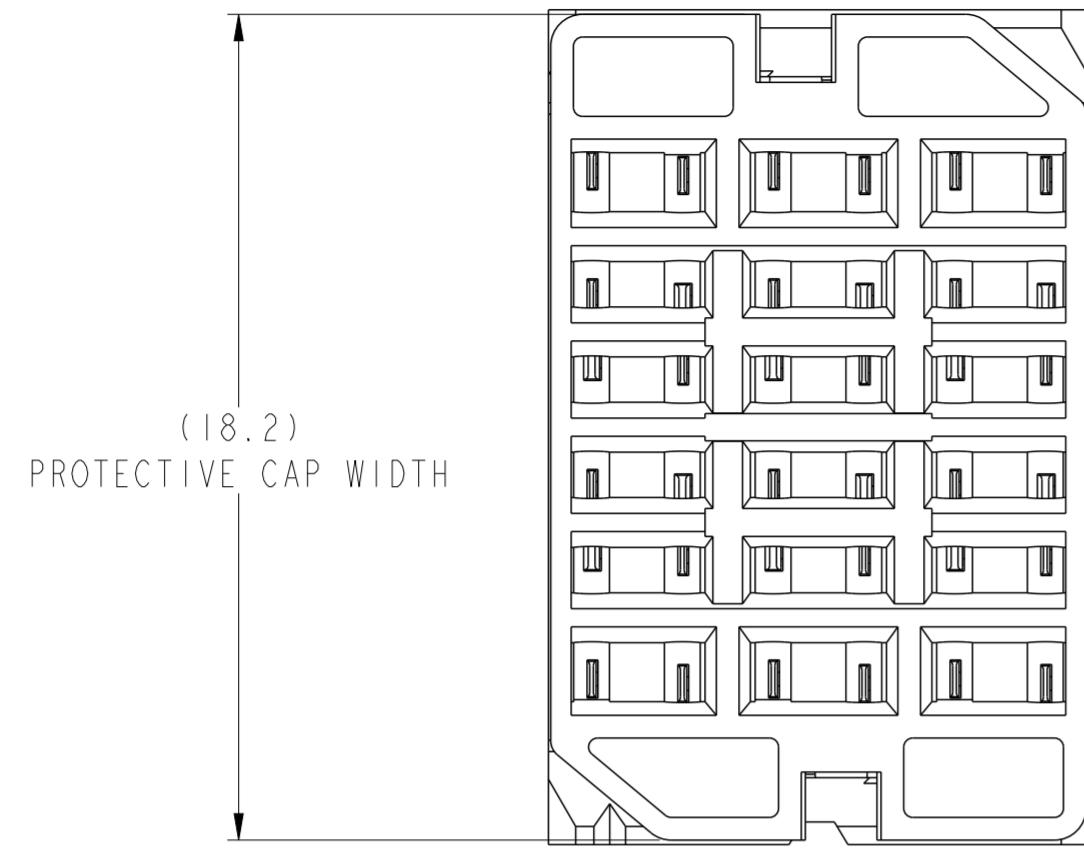


spec ref	-	dr	Sander Soe	2012/1/12	projection	MM	size	A2	scale	5:1	
tolerance std	ASME Y14.5	eng	Tao Zhan	2014/10/23			ecn no	ELX-DG-18510-1			
TOLERANCES UNLESS OTHERWISE SPECIFIED		chr	-	rel level			Released				
		appr	Collins Lu	2014/10/23			product family	AIRMAX VS			
surface	✓	linear	0.X	±0.3		<b>AIRMAX VSE VERTICAL HEADER</b> 3 PAIR 54 POS 2MM 6 COL SMALL PRESS FIT	divg no	10123358		rev	B
		angular	0°	±2°			cat. no.	-	Product - Customer Drw	sheet 1 of 4	
							www.fci.com				

Copyright FCI. FCI

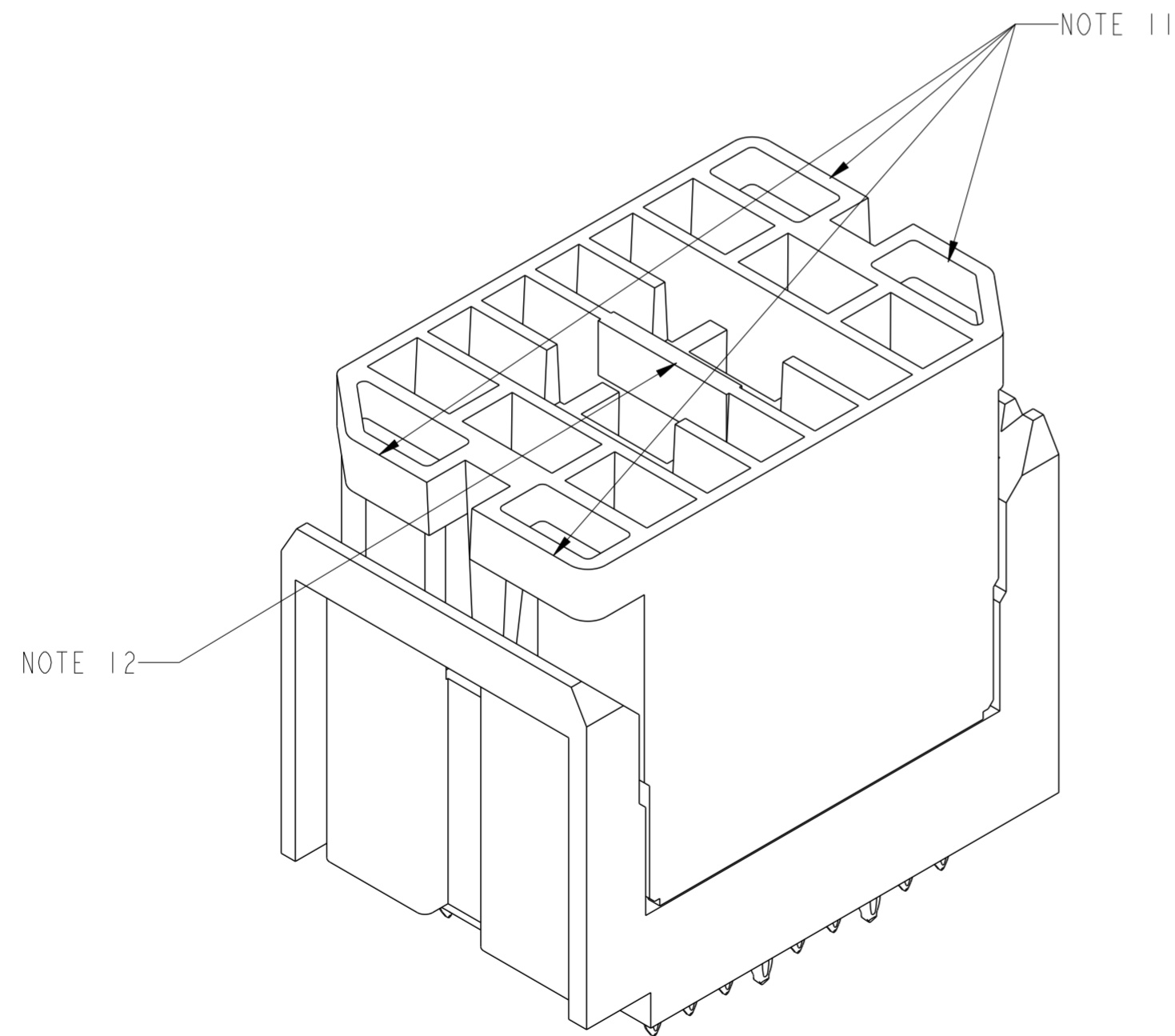
1 2 3 4 5 6 7 8

A  
B  
C



A  
B  
C

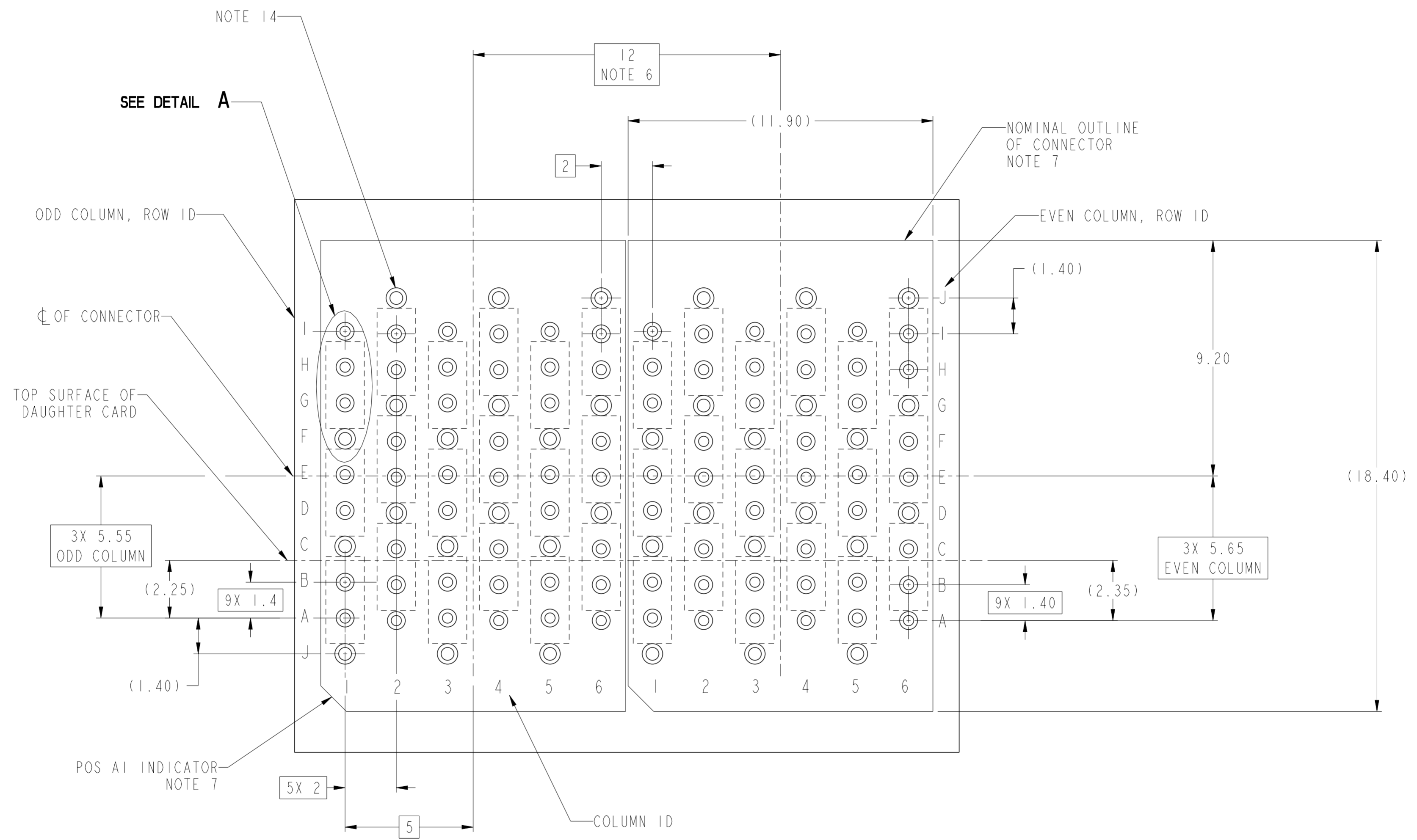
VIEWS SHOWN WITH  
PROTECTIVE COVER INSTALLED  
10123358-101LF & 111LF



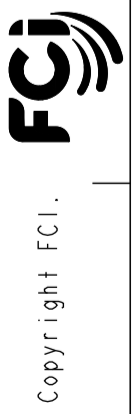
D  
E  
F

Copyright FCI.  
**FCI**

spec ref	-	dr	Sander Soe	2012/1/12	projection	MM	size	A2	scale	5:1
tolerance std	ASME Y14.5	eng	Tao Zhan	2014/10/23			ecn no	ELX-DG-18510-1		
		chr	-				rel level	Released		
		appr	Collins Lu	2014/10/23	product family	AIRMAX VS	cat. no.	10123358	rev	B
surface	✓	linear	0.X	±0.3			<b>AIRMAX VSE VERTICAL HEADER</b> 3 PAIR 54 POS 2MM 6 COL SMALL PRESS FIT		Product - Customer Drw	
			0.XX	±0.10						
			0.XXX	±0.050						
		angular	0°	±2°	www.fci.com	cat. no.	-	Product - Customer Drw	sheet 2 of 4	

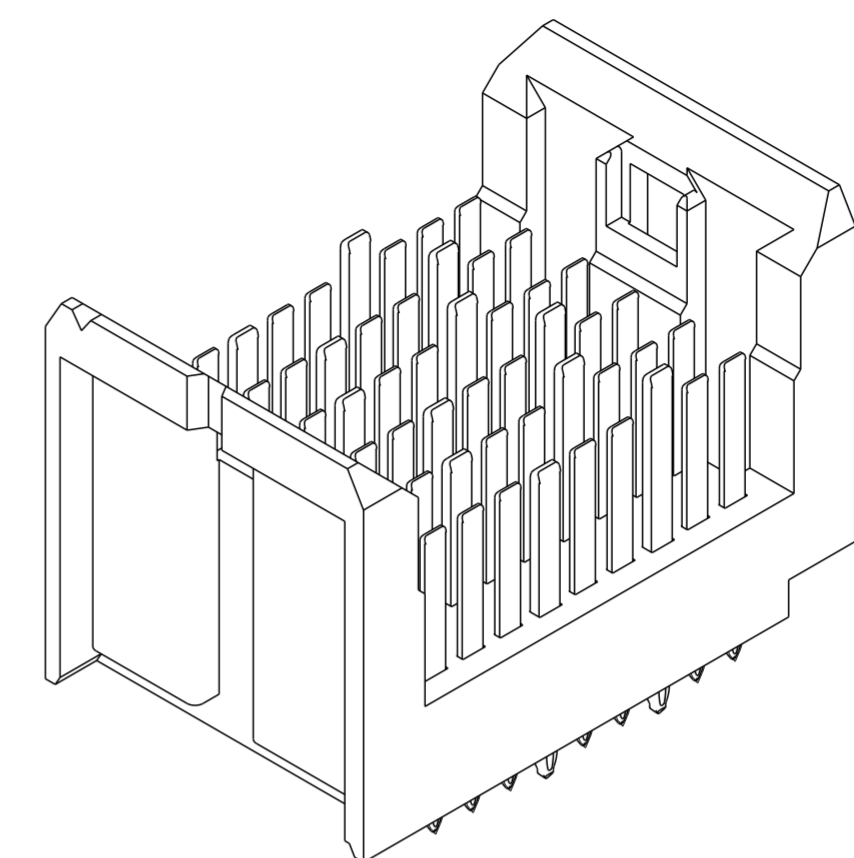


RECOMMENDED PCB LAYOUT  
FOR DIFFERENTIAL APPLICATIONS,  
COMPONENT SIDE  
(TWO ADJACENT FOOTPRINTS SHOWN)  
NOTES 6, AND 8



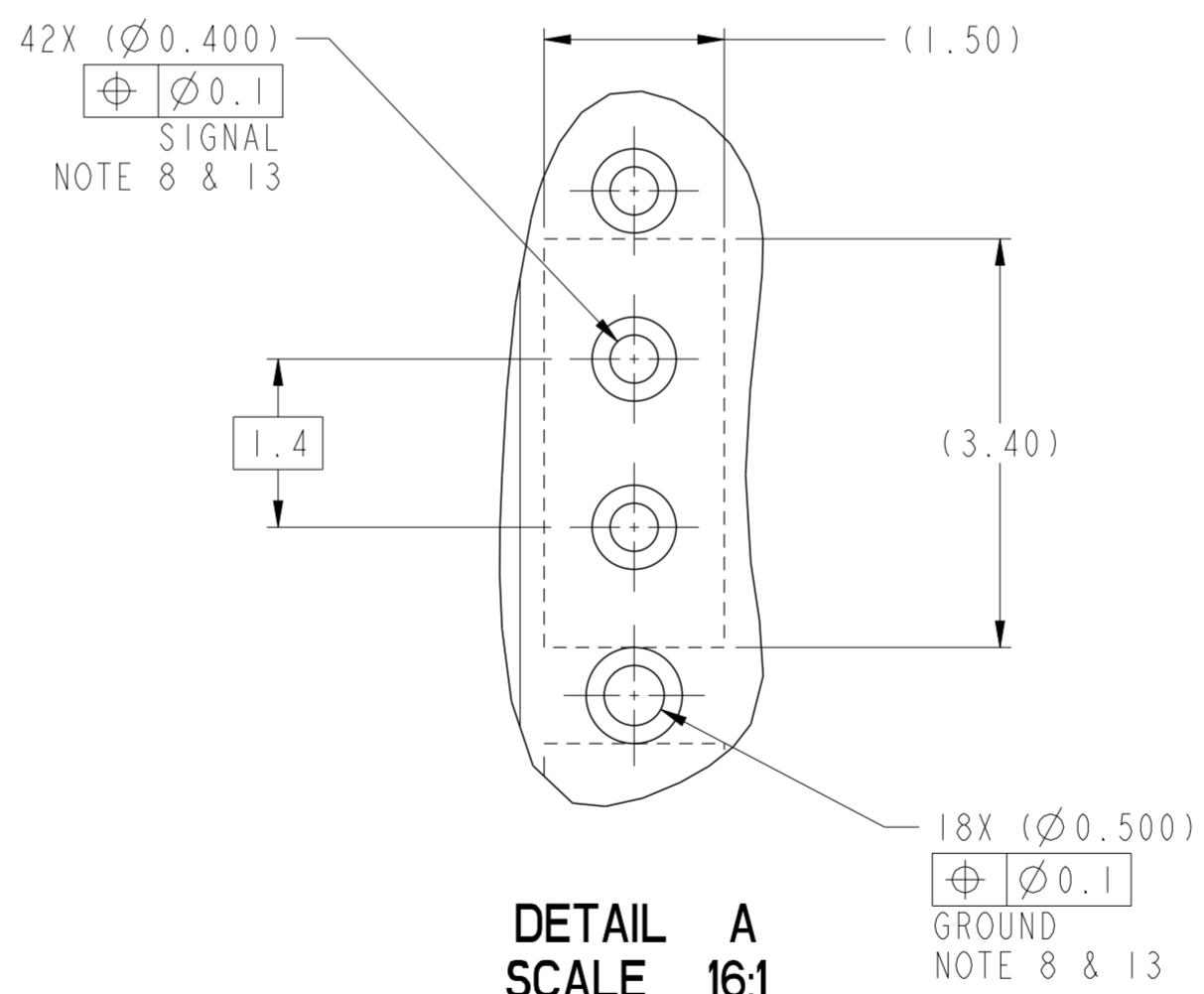
spec ref	-	dr	Sander Soe	2012/1/12	projection	MM	size	A2	scale	3:1
tolerance std	ASME Y14.5	eng	Tao Zhan	2014/10/23			ecn no	ELX-DG-18510-1		
TOLERANCES UNLESS OTHERWISE SPECIFIED		chr	-	rel level			Released			
surface	✓	appr	Collins Lu	2014/10/23			product family	AIRMAX VS	title	AIRMAX VSE VERTICAL HEADER
ASME Y14.5	linear	0.X	±0.3	0.XX	±0.10	0.XXX	±0.050	cat. no.	-	
	angular	0°	±2°	www.fci.com		Product - Customer Drw		rev	B	

PART NUMBER	PRESS-FIT TAIL PLATING TYPE	PROTECTIVE COVER	DETECTION PIN LOCATION	LONG GROUND PIN LOCATIONS (5.6MM)	REMARKS
10123358-101LF	TIN OVER NICKEL (LEAD FREE)	YES	N/A	F1, F3, F5 G2, G4, G6	2-SIDED PLATING
10123358-111LF		YES	H3		
10123358-121LF		YES	E3		



10123358-101LF WITHOUT PROTECTIVE COVER

- NOTES:
- CONNECTOR MATERIALS:  
HOUSING: HIGH TEMP THERMOPLASTIC, BLACK, UL94V-0  
CONTACT: COPPER ALLOY
  - CONTACT PLATING:  
SEPARABLE INTERFACE: PERFORMANCE-BASED PLATING, QUALIFIED TO MEET THE REQUIREMENTS OF FCI PRODUCT SPECIFICATION GS-12-239 INCLUDING TELCORDIA GR-1217-CORE (NOVEMBER 1995) CENTRAL OFFICE TEST SEQUENCE PRESS-FIT TAILS: SEE TABLE
  - PRODUCT SPECIFICATION: GS-12-239.
  - APPLICATION SPECIFICATION: GS-20-035.
  - PRODUCT MARKING, (PROTOTYPE, PART NUMBER & LOT CODE), ON THIS SURFACE.
  - THE MINIMUM CENTERLINE SPACING BETWEEN ADJACENT MODULES IS 12.0 mm.
  - CONNECTOR OUTLINE WITH HOUSING POS AI INDICATOR MAY BE SCREEN PRINTED ONTO CUSTOMER PCB TO BE USED AS A GUIDE FOR MANUAL CONNECTOR PLACEMENT.
  - REFER TO CUSTOMER DRAWING 10104444 FOR INFORMATION ON PCB HOLE DIAMETERS AND PLATING OPTIONS.
  - LEAD FREE PRODUCT MEETS EUROPEAN UNION DIRECTIVES AND OTHER COUNTRY REGULATIONS AS DESCRIBED IN GS-22-008.
  - PACKAGING MEETS GS-14-920 LEAD FREE LABELING SPECIFICATION.
  - FOR REMOVAL OF THE PROTECTIVE CAP BY HAND, GRIP USING THESE SURFACES.
  - FOR REMOVAL OF THE PROTECTIVE CAP WITH PLIERS, GRIP USING THIS FEATURE.
  - GROUND VIAS IN POSITIONS C, F, & J FOR ODD COLUMNS AND POSITIONS D, G, & J FOR EVEN COLUMNS REQUIRE (Ø0.50) FINISHED HOLES. ALL OTHER VIAS REQUIRE (Ø0.40) FINISHED HOLES.
  - THE OUTER VIAS IN COLUMN J ARE OPTIONAL. IF ADDED THESE HOLES PROVIDE GROUND SYMETRY THROUGH THE PCB. NO CONNECTOR EONS WILL BE PRESSED INTO THESE HOLES.
  - MATING PIN E3 & H3 IS 0.5mm LESS WIPE NOMINAL THAN THE SHOREST PIN.
  - A SYMBOL WILL BE NEXT TO ANY DIMENSION, VIEW, OR NOTE THAT HAS BEEN MODIFIED WITH THE CURRENT DRAWING REVISION.



spec ref	-	dr	Sander Soe	2012/1/12	projection	MM	size	A2	scale	5:1
tolerance std	ASME Y14.5	eng	Tao Zhan	2014/10/23		MM	ecn no	ELX-DG-18510-1	rel level	Released
TOLERANCES UNLESS OTHERWISE SPECIFIED		chr	-	appr						
surface	✓	linear	0.X	±0.3		title	3 PAIR 54 POS 2MM 6 COL SMALL PRESS FIT	dwg no	10123358	rev
			0.XX	±0.10						
			0.XXX	±0.050						
ASME Y14.5	angular	0°	±2°	www.fci.com	cat. no.	-	Product - Customer Drw	sheet 4 of 4		

Copyright FCI. FCI

## X-ON Electronics

Largest Supplier of Electrical and Electronic Components

*Click to view similar products for [High Speed/Modular Connectors](#) category:*

*Click to view products by [Amphenol](#) manufacturer:*

Other Similar products are found below :

[2332816-1](#) [89006-1137LF](#) [650827-1](#) [65762-001LF](#) [73474-201LF](#) [74040-1346](#) [74075-0267](#) [1410191-1](#) [1410337-1](#) [1410368-3](#) [1410964-2](#)  
[1410367-3](#) [1410971-4](#) [1467833-1](#) [2000877-1](#) [2000878-1](#) [2041314-1](#) [2065387-1](#) [2187307-1](#) [2187462-1](#) [91290-101LF](#) [163P](#) [1934290-1](#)  
[2000875-1](#) [2065917-1](#) [2102736-2](#) [FSR-40](#) [2169868-2](#) [2226279-2](#) [22354-8](#) [437-5040-000](#) [5-1393565-0](#) [532449-3](#) [532803-2](#) [34745-0001](#)  
[0740618502](#) [0761651124](#) [0761655108](#) [0761659807](#) [0736440217](#) [0761551627](#) [0761551638](#) [0761659608](#) [0761705038](#) [0784461022](#) [1-](#)  
[1393708-5](#) [73774-1000](#) [532939-1](#) [5-531355-3](#) [85838-180LF](#)