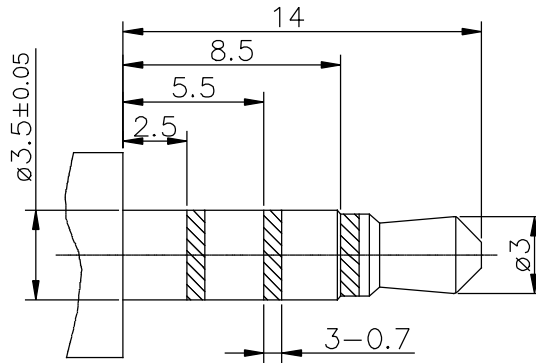
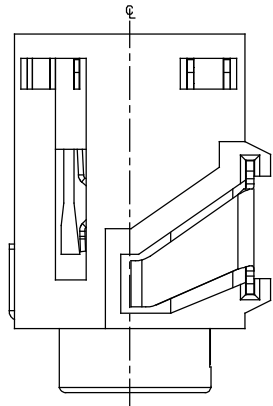
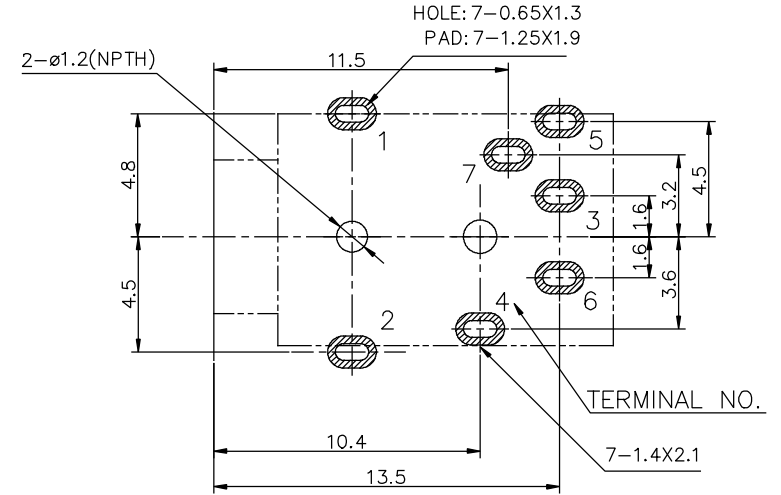


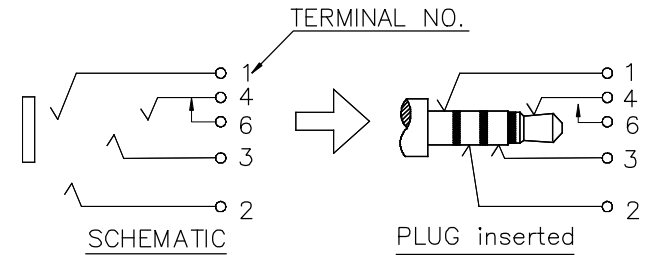
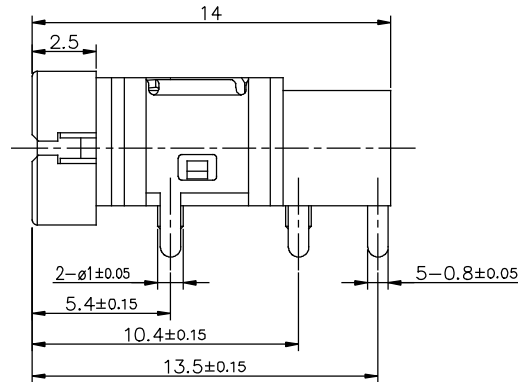
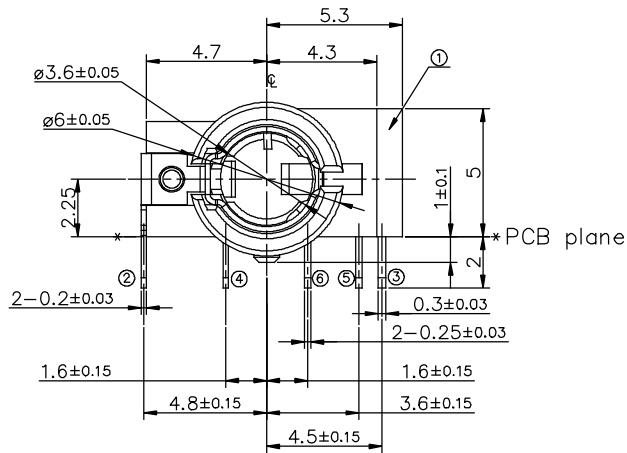
PRODUCT NUMBER
10123764-001XLF



RECOMMENDED PLUG
ø3.5 4-POLE STANDARD PLUG



PCB HOLES (THE TOP VIEW) t=1.6mm
NOTE: GENERAL TOLERANCE: ±0.05mm



NOTES:

1. MATERIALS & PLATING: SEE MATERIAL TABLE
2. PRODUCT SPECIFICATION: GS-12-1144.
PACKAGE SPECIFICATION: GS-14-2297.
3. THIS PRODUCT MEETS EUROPEAN UNION DIRECTIVES AND OTHER COUNTRY REGULATIONS AS DESCRIBED IN GS-47-0004.
4. THE HOUSING WILL WITHSTAND EXPOSURE TO 245°C PEAK TEMPERATURE FOR 10 SECONDS IN A WAVE SOLDERING APPLICATION.
5. PART NUMBER DEFINITION:
10123764-001XLF

PACKAGE CODE:
T: TRAY
R: TAPE & REEL

⑥	TERMINAL 6	6	1	COPPER ALLOY t=0.25	Au 1μ"Min
⑤	TERMINAL 4	4	1	COPPER ALLOY t=0.25	Au 1μ"Min
④	TERMINAL 3	3	1	COPPER ALLOY t=0.20	Au 1μ"Min
③	TERMINAL 2	2	1	COPPER ALLOY t=0.30	Au 1μ"Min
②	TERMINAL 1	1	1	COPPER ALLOY t=0.20	Au 1μ"Min
①	HOUSING		1	PBT UL94 V-0	BLACK
NO.	PART NAME	TER'NO.	QTY.	MATERIAL	REMARK

mat'l. code		surface		tolerance	projection	product family	
ltr		ecn no	dr	date	ASME Y14.5	title	
A		TAI		2013-05-08	tolerances unless otherwise specified	3.5mm AUX JACK, 4 SEGMENTS	
B	ELX-T-15747	TAI		2013-09-06	angles	scale	
					16<L≤63 ±0.4	dwg no	
					4<L≤16 ±0.3	sheet 1 of 1	
					X*±5'	size	
					L≤4 ±0.2	A4	
					dr KENNY TAI	type	
					enr KENNY TAI	CUSTOMER Drawing	
					chr KENNY TAI		
					appd PM ZHENG		
sheet index	revision	B					
	sheet	1					

X-ON Electronics

Largest Supplier of Electrical and Electronic Components

Click to view similar products for [Phone Connectors](#) category:

Click to view products by [Amphenol](#) manufacturer:

Other Similar products are found below :

[M444B](#) [6J1041A](#) [R4F](#) [E12BPKG](#) [ECP4PKG](#) [161-3502L-E](#) [MT333X](#) [171-0350-EX](#) [171-101A-EX](#) [171-3325-EX](#) [176S](#) [NC3MG-V](#)
[NYS228G](#) [P10834](#) [P2380](#) [P2381X](#) [P2411X](#) [P2412](#) [P2724](#) [JM2PB-AU BULK](#) [9144](#) [S2674](#) [280L](#) [163-156N-2-E](#) [163-158N-2-E](#) [171-3308-](#)
[EX](#) [171-3500-E](#) [2501FT](#) [CMT335](#) [M10662](#) [330Q](#) [RJ5VI-S](#) [40116](#) [TM1R-AU](#) [TM2PBMJ-AU](#) [TM2PJ-AU](#) [TM2PJ-AU BULK](#) [4803.1351](#)
[49201](#) [49205](#) [TS3PBJ-AU](#) [TS3PBMJ-AU](#) [TT32BX](#) [54B](#) [40112](#) [40205](#) [XMT332B](#) [52170017-331](#) [570](#) [NM3](#)