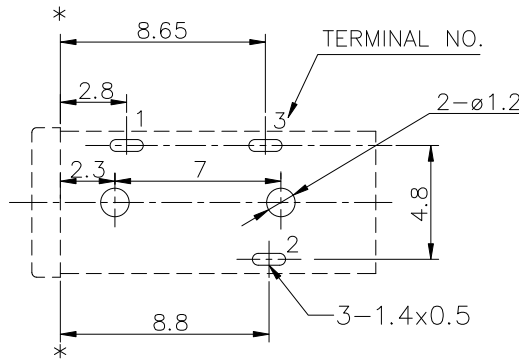
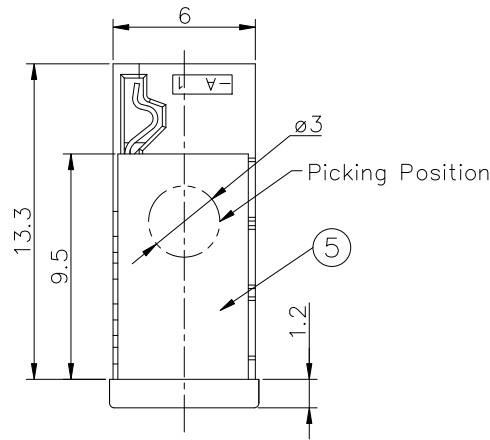
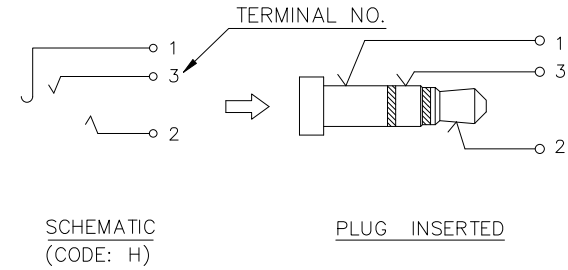


PRODUCT NUMBER  
10123766-H00XLF

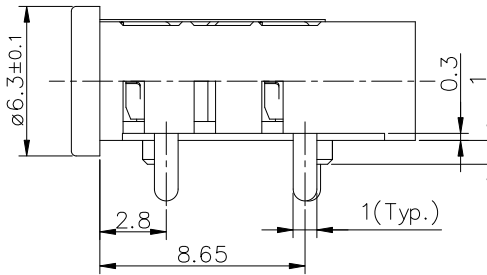
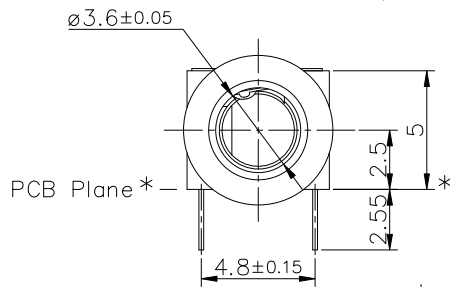


PCB HOLES(BOTTOM VIEW) t=1.6mm  
NOTE: GENERAL TOLERANCE: ±0.05mm



SCHEMATIC  
(CODE: H)

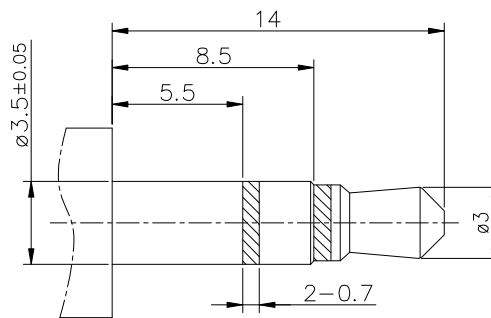
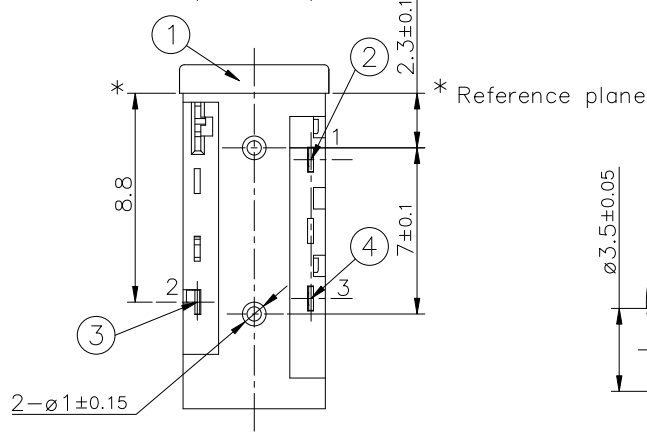
PLUG INSERTED



NOTES:

1. MATERIAL: SEE MATERIAL TABLE.
2. PRODUCT SPECIFICATION: GS-12-1160.
3. PACKAGE SPECIFICATION: GS-14-2338.
4. THIS PRODUCT MEETS EUROPEAN UNION DIRECTIVES AND OTHER COUNTRY REGULATIONS AS DESCRIBED IN GS-47-0004.
5. THE HOUSING WILL WITHSTAND EXPOSURE TO 260°C PEAK TEMPERATURE 5 SECONDS IN A CONVECTION, INFRA-RED OR VAPOR PHASE REFLOW OVEN.
6. PART NUMBER DEFINITION:  
10123766-X X X X LF

LEAD FREE  
MYLAR - BLANK: WITH MYLAR; N: NO MYLAR  
PLATING - 0: Ag  
HSG COLOR - 0: BLACK  
CIRCUIT SCHEMATIC CODE



RECOMMENDED PLUG  
ø3.5 3-POLE STANDARD PLUG

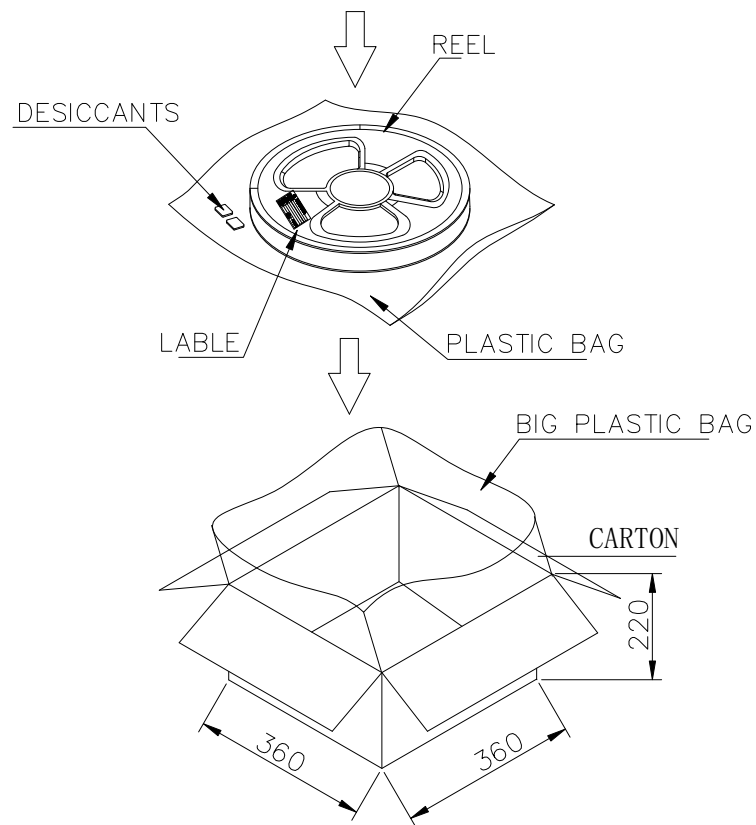
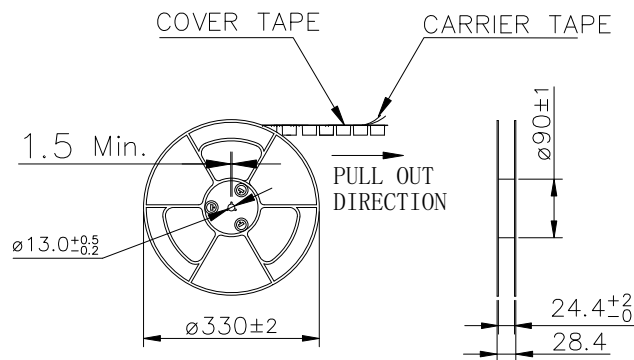
NO.	PART NAME	TER'NO.	QTY.	MATERIAL	REMARK
⑤	MYLAR		1	MYLAR t=0.11	
④	RING TERMINAL	3	1	STAINLESS STEEL t=0.20	Ag-PLATED
③	TIP TERMINAL	2	1	STAINLESS STEEL t=0.20	Ag-PLATED
②	EARTH TERMINAL	1	1	STAINLESS STEEL t=0.20	Ag-PLATED
①	HOUSING		1	PA9T 94V-0	BLACK

mat'l. code		surface	tolerance	projection	product family
ltr	ecn no	dr	date	tolerances unless otherwise specified	title
A		TAI	2014-03-25	16<L≤63 ±0.4	3.5mm PHONE JACK
B	ELX-T-18985	TAI	2014-10-13	angles 4<L≤16 ±0.3	
C	ELX-T-20758	TAI	2015-06-08	X°±5° L≤4 ±0.2	
sheet index		revision sheet	C C	1 2	type



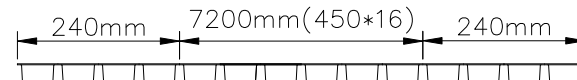
dwg no 10123766 sheet 1 of 2 size A4  
type CUSTOMER Drawing



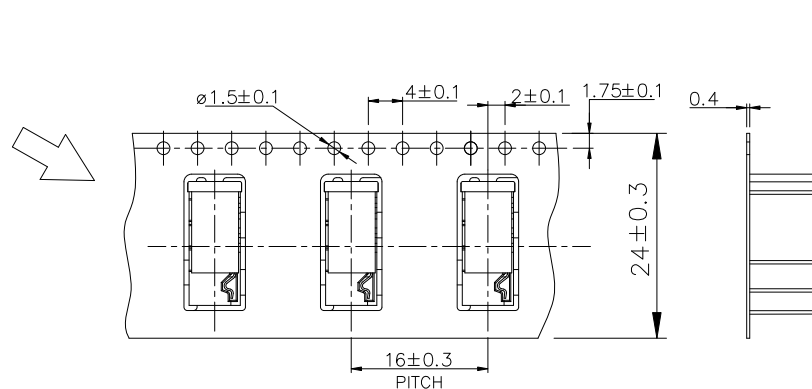
1 Carton  
 = 6 Reel/ Carton  
 = 450 pcs / reel  
 = 2700 pcs/Carton

NOTE:

1.CARRIER TAPE PACKING LENGTH  
 TRAILER CONNECTORS LEADER(START)



2.FEELING FORCE: 0.1N-1.3N (10g-132g)



NOTE:

- 1.Reel (330X28.4mm)
- 2.Carton (360x360x220mm)
- 3.Carton thickness = 6mm
- 4.Unit:mm
- 5.N.W=1.2kg; G.W=3.4kg

mat'l. code		surface	tolerance	projection	product family
ltr		tolerances unless otherwise specified		 MM	title
ecn no	dr	date			
		angles	16<L≤63 ±0.4	scale	dwg no
		radius	4<L≤16 ±0.3		
		X°±5°	L≤4 ±0.2		10123766
dr	KENNY TAI	2012-12-18			
enr	KENNY TAI	2012-12-18			
chr	KENNY TAI	2013-12-02			
appd	PM ZHENG	2014-03-25			
sheet index	revision sheet	C	C		
		1	2		

## X-ON Electronics

Largest Supplier of Electrical and Electronic Components

*Click to view similar products for [Power to the Board](#) category:*

*Click to view products by [Amphenol](#) manufacturer:*

Other Similar products are found below :

[10131318-08512GRLF](#) [6450171-4](#) [6450552-7](#) [6600323-8](#) [6643429-1](#) [6646040-2](#) [6651939-1](#) [6766604-1](#) [120959-1](#) [1393557-2](#) [1393532-2](#)  
[1393532-3](#) [1393532-4](#) [1393557-1](#) [1600812-5](#) [1-6450861-2](#) [1645595-1](#) [1743490-1](#) [1744132-7](#) [1761122-1](#) [1766169-1](#) [1766250-1](#) [18362](#)  
[1892109-1](#) [1-967627-6](#) [2226808-1](#) [2-6450860-5](#) [2-6450860-6](#) [2-6450870-0](#) [93003-0502](#) [953552-1](#) [1-6450161-4](#) [1-6450850-6](#) [1645526-2](#) [1-](#)  
[6600130-0](#) [1743419-1](#) [1766150-1](#) [2005243-2](#) [211110-1](#) [2-6600130-2](#) [TE34-12-16P-F0](#) [5-6450830-6](#) [5646956-4](#) [36662-0005](#) [40585-3000](#) [4-](#)  
[6450830-9](#) [4-6600333-3](#) [51142-0214](#) [10134048-911LF](#) [10130248-005LF](#)