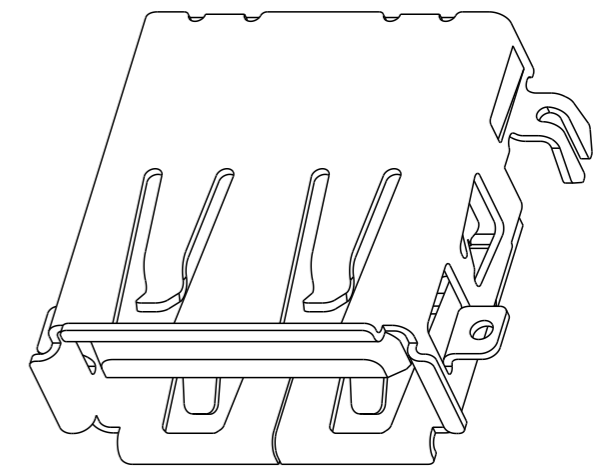
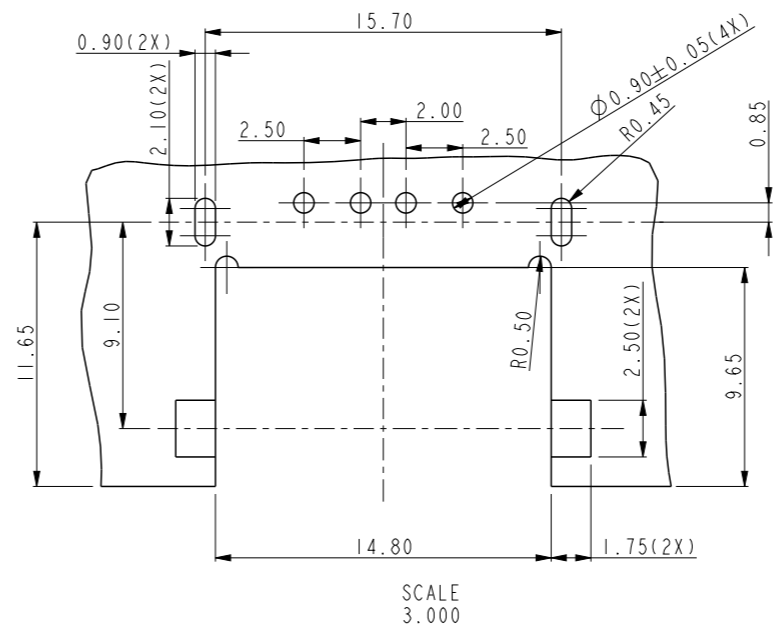
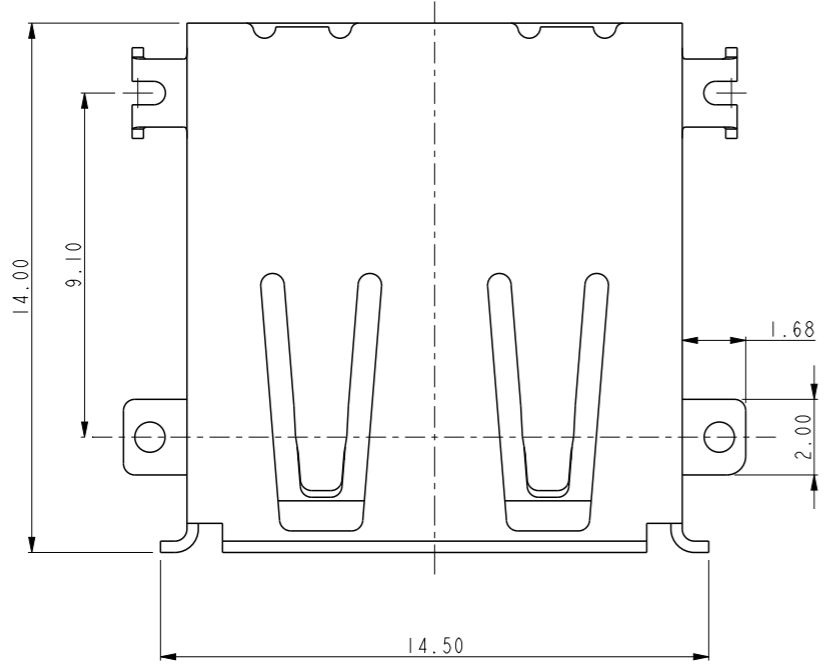
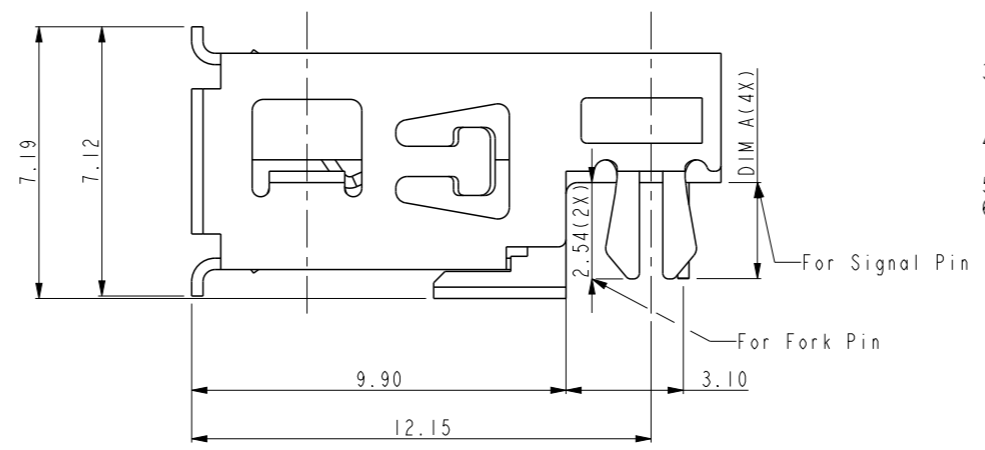
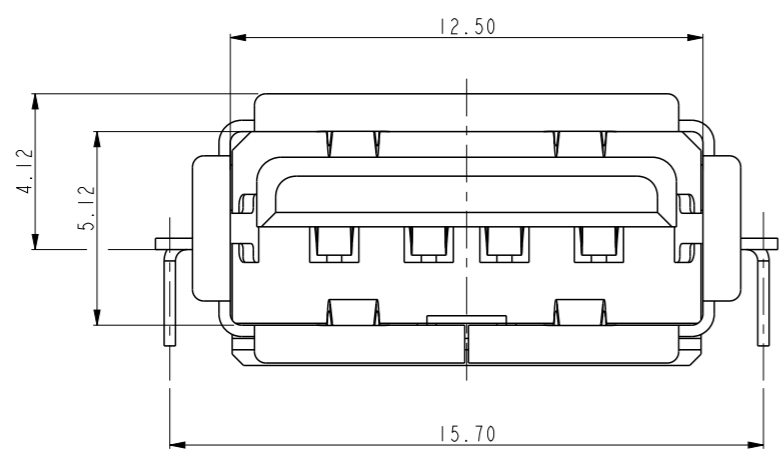


PART NUMBER
SEE NOTE 6



SCALE
3.000
RECOMMENDED PCB LAYOUT (THICKNESS=1.2MM)
TOLERANCE ±0.05



- NOTES:
- MATERIAL:
HOUSING: HIGH TEMPERATURE THERMAL PLASTIC, UL94V-0, BLACK.
TERMINAL: COPPER ALLOY.
SHELL: COPPER ALLOY.
 - FINISH:
TERMINAL:
30u" GXT/Au ON CONTACT AREA.
100u" MATTE TIN ON SOLDER TAIL.
UNDER PLATING: 50u" Ni MIN. OVER ALL.
SHELL:
MATTE TIN OVER 50u" Ni OVER ALL.
100u" MATTE TIN MIN ON SOLDER TAIL OVER 50u" Ni.
 - THIS PRODUCT WILL WITHSTAND EXPOSURE TO 260°C PEAK TEMPERATURE FOR 10 SECONDS IN A CONVECTION, INFRA-RED OR VAPOR PHASE REFLOW OVEN;
 - FOR LEAD FREE P/N, THE PRODUCT MEET EUROPEAN UNION DIRECTIVES AND OTHER COUNTRY REGULATION AS DESCRIBED IN GS-22-008.
 - THE PRODUCT CAN BE USED FOR PIP PROCESS.
 - PART NUMBER DEFINITION:
10126196 - X 0X X LF
- LEAD FREE
PACKING TYPE
B: TUBE
R: TAPE & REEL
- 01: DIM A=2.54
02: DIM A=2.00
- PLATING CODE
1: 30u" GXT ON CONTACT AREA
2: 30u" Au ON CONTACT AREA

Amphenol
FCi

© 2016 AFCI

spec ref	-	dr	John Han	2013/07/17	projection	MM	size	A3	scale	1.000		
tolerance std	ISO 406 ISO 1101	eng	Laurence Zang	2017/11/20			ecn no	ELX-N-28523-1	rel level	Released		
TOLERANCES UNLESS OTHERWISE SPECIFIED		chr	-	apppr							Tim Yao	2017/11/22
surface	linear	0.X	±0.3	Amphenol FCi		title	USB 2.0 A TYPE RECEPTACLE		dwg no	10126196	rev	C
		0.XX	±0.20	www.fci.com		cat. no.	-	Product - Customer Drw	sheet 1 of 1			
	angular	0°	±2°									

X-ON Electronics

Largest Supplier of Electrical and Electronic Components

Click to view similar products for [USB Connectors](#) category:

Click to view products by [Amphenol](#) manufacturer:

Other Similar products are found below :

[10033527-N3112MLF](#) [17-210561](#) [GMCB05B11124H1EU](#) [17-200931](#) [65-647-8-BK-BU](#) [690-010-295-484](#) [73725-1191BLF](#) [950](#) [E8144-B01021-L](#) [A-USB A-LP-SMT-C](#) [A-USB B-TOP-C](#) [MUSBA511N5](#) [MUSBB15131](#) [MUSBC111M5](#) [MUSBD11135](#) [217450-1](#) [CA 6 W LD](#)
[896-30-004-00-000000](#) [KUSBVX-BS1N-W30](#) [KUSBX-AP-KIT-SCBLK](#) [KUSBX-AS2N-W](#) [KUSBX-SMT2AP1S-W](#) [KUSBX-SMTAS1NBTR](#) [KUSBX-SMTBS1NBTR](#) [30-498-6](#) [SK-60A-2](#) [17-200261](#) [17-210051](#) [1734082-1](#) [FK-37-32SL](#) [30-1574](#) [30-470](#) [30-489](#) [30-541](#) [30-572-3](#) [30-9503](#) [M9177/2-1](#) [MAB 5 S](#) [MIKROE-1451](#) [33UBBR-04SW11R](#) [USBFTV2PEM2G](#) [USBFTVC6ZN](#) [USBFTVSCCG](#)
[KUSBX-AS2N-W30](#) [KUSBX-SLAS1N-W](#) [KUSBX-SLAS1N-W30](#) [1-1734084-2](#) [E8110-001-01](#) [MUSBC11135](#) [NK-27-32SL](#)