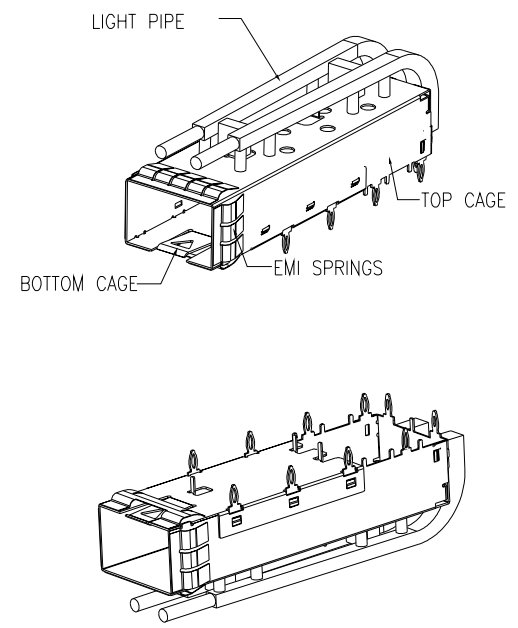
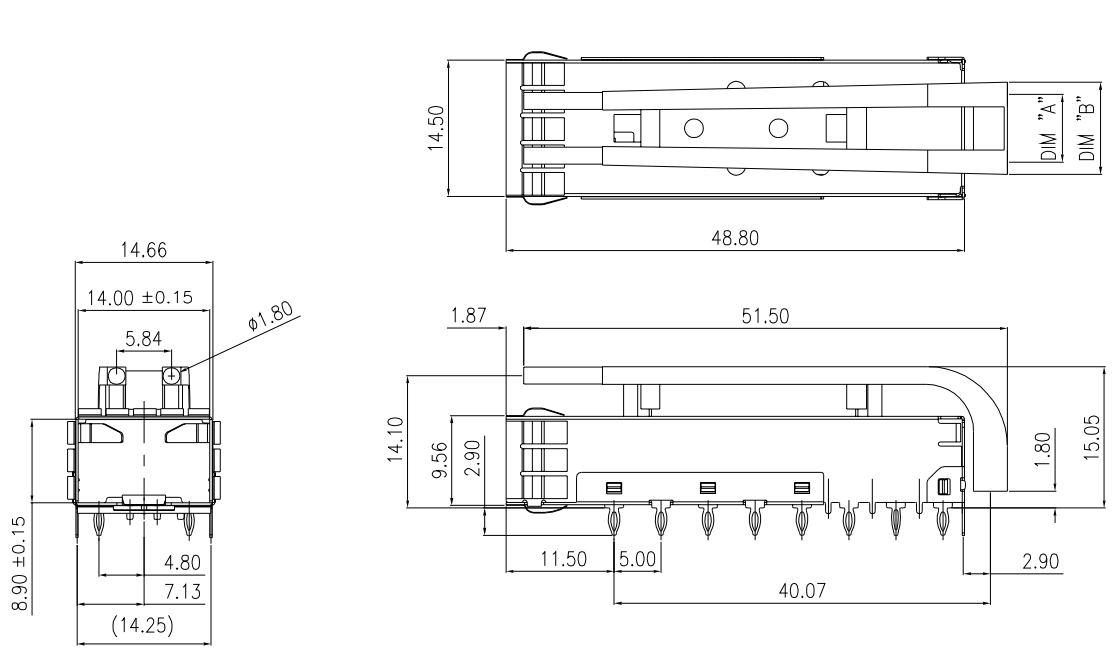


Product Number	DIM "A"	DIM "B"	DIM "C"	DIM "D"	Packaging
10126907-101LF	7.20	9.80	3.60	3.60	Tray



- NOTES:
- |                |      |                            |            |
|----------------|------|----------------------------|------------|
| 1, DESCRIPTION | Q'ty | MATERIAL                   | PLATING    |
| TOP CAGE       | 1PCS | NICKEL SILVER ALLOY T=0.25 | NO PLATING |
| BOTTOM CAGE    | 1PCS | NICKEL SILVER ALLOY T=0.25 | NO PLATING |
| EMI SPRINGS    | 1PCS | COPPER ALLOY T=0.08        | Ni PLATED  |
| LIGHT PIPE     | 1PCS | POLYCARBONATE, CLEAR       | N/A        |
- 2, PRODUCT SPECIFICATION: GS-12-1165  
3, APPLICATION SPECIFICATION: GS-20-0384  
4, PACKAGE PER GS-14-2344 AND GS-14-920

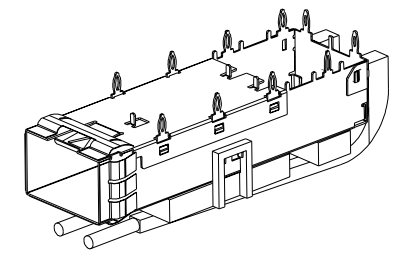
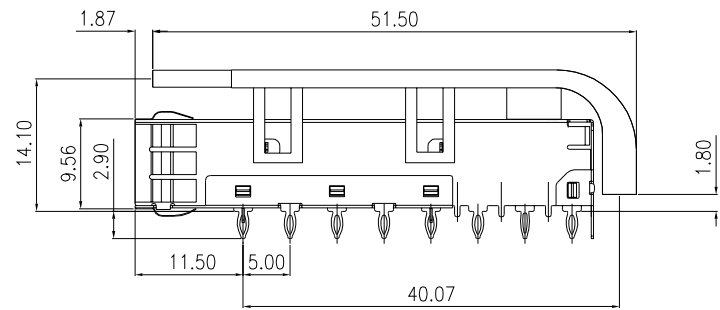
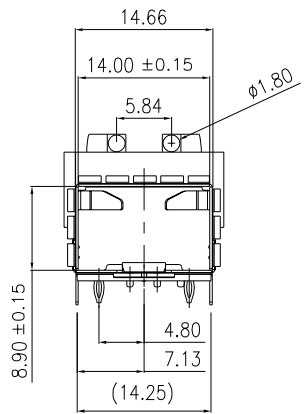
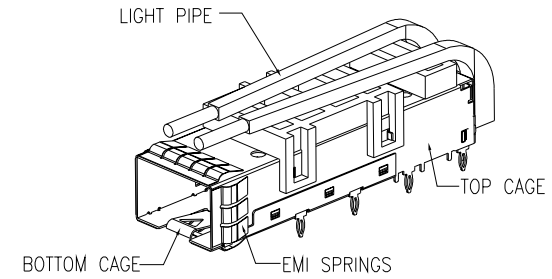
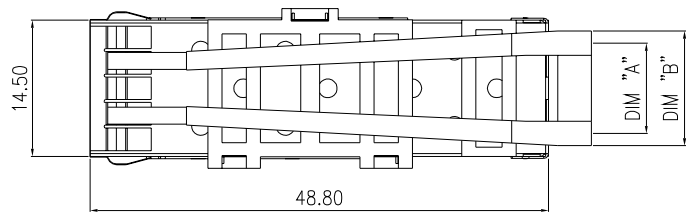
spec ref	RELEASE	dr	Art Lin	2014-01-13	projection 	MM ←→	size	scale	
tolerance std	TOLERANCES UNLESS OTHERWISE SPECIFIED	eng	Zhen Luo	2014-01-13			A4	1:1	
ISO406		chr	Collins Lu	2014-01-14			ecn no		
ISO1101		appr	JEFFREY QIN	2014-01-14	product family	SFP+	rel level	Released	
surface	linear	0.X	±0.25		title	SFP+ 1X1 CAGE ASSEMBLY EMI SPRING TYPE PRESS FIT WITH LIGHTPIPE	dwg no	10126907	rev
ISO1302		0.XX	±0.20						
	0.XXX	±0.15							
	angular	0°	±0.5°						

Proj/E File - REV C - 2009-06-09



Copyright FCI.

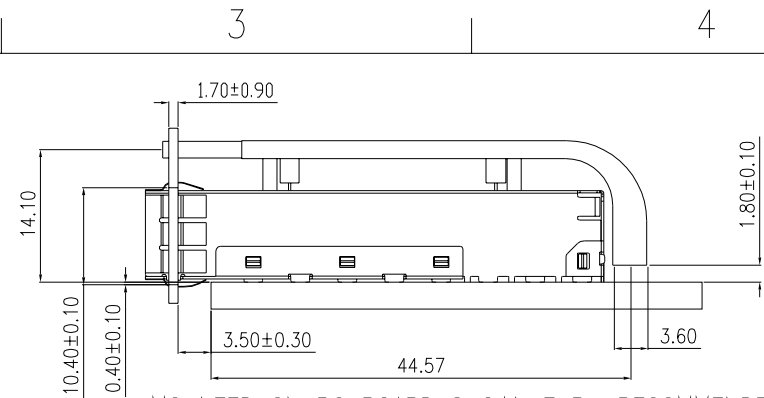
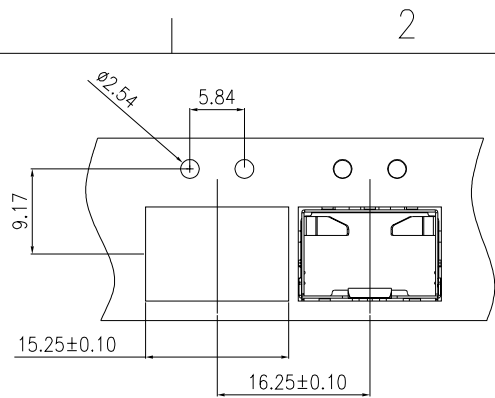
Product Number	DIM "A"	DIM "B"	DIM "C"	DIM "D"	Packaging
10126907-2011LF	9.60	12.20	4.80	4.80	Tray



Copyright FCI.

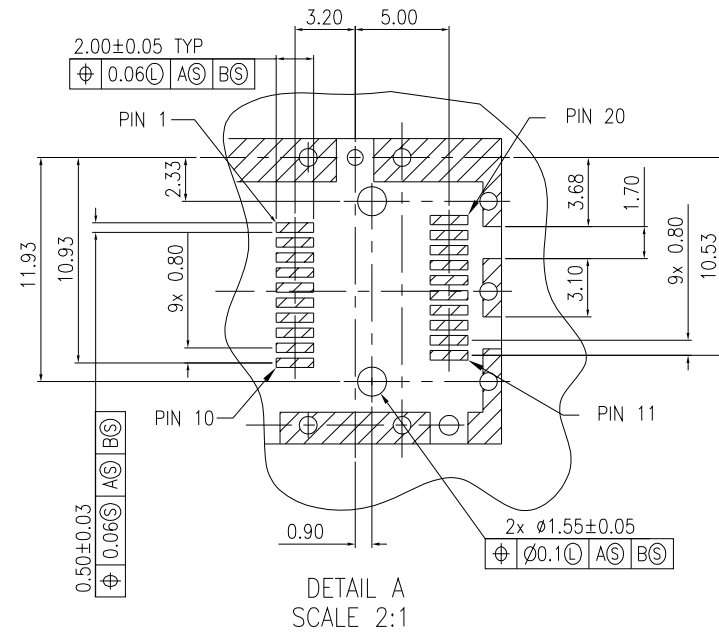
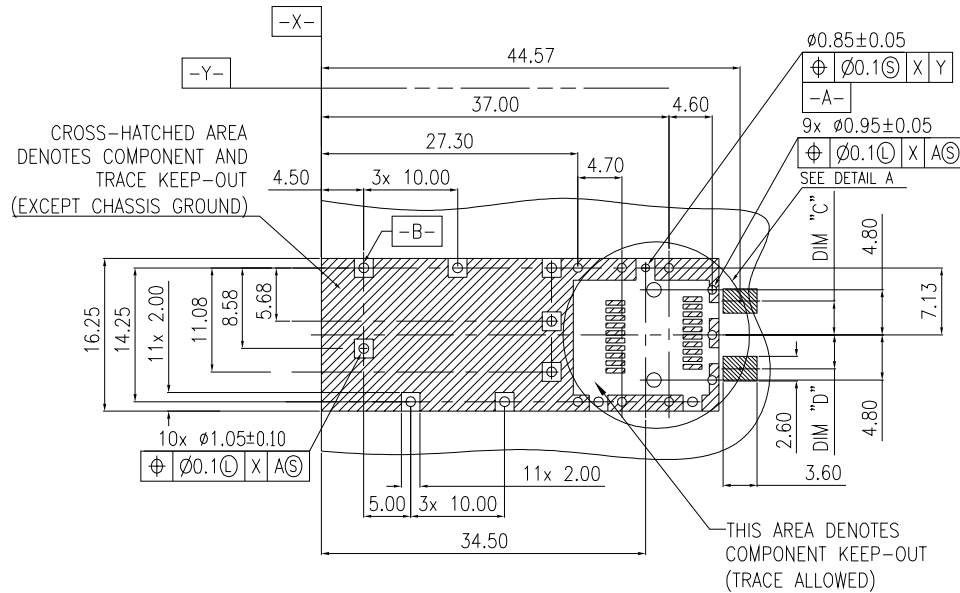
spec ref	RELEASE			dr	Art Lin	2014-01-13	projection 	MM ←→	size	A4	scale	1:1
tolerance std	TOLERANCES UNLESS OTHERWISE SPECIFIED			eng	Zhen Luo	2014-01-13			ecn no			
ISO406 ISO1101				chr	Collins Lu	2014-01-14			rel level	Released		
surface	linear	0.X	±0.25	www.fci.com	title	SFP+ 1X1 CAGE ASSEMBLY EMI SPRING TYPE PRESS FIT WITH LIGHTPIPE	product family	SFP+	dwg no	10126907	rev	C
ISO1302		0.XX	±0.20									
	0.XXX	±0.15										
	angular	0°	±0.5°									
				cat. no.	-				Product-Customer Drw		sheet 2 of 3	

Pro/E File - REV C - 2009-06-09



RECOMMENDED BEZEL CUT-OUT SINGLE SIDED APPLICATIONS

MOUNTED ON PC BOARD SHOWN THRU RECOMMENDED BEZEL  
(10126907-201LF POSITION IS SAME TO 10126907-101LF)



PCB LAYOUT THICKNESS=3.0mm (TOP VIEW)

DETAIL A  
SCALE 2:1

spec ref	RELEASE	dr	Art Lin	2014-01-13	projection	size	scale
tolerance std	TOLERANCES UNLESS OTHERWISE SPECIFIED	eng	Zhen Luo	2014-01-13		MM	A4
ISO406		chr	Collins Lu	2014-01-14			ecn no
ISO1101		appr	JEFFREY QIN	2014-01-14	product family	SFP+	rel level
surface		linear		<b>title</b> SFP+ 1X1 CAGE ASSEMBLY EMI SPRING TYPE PRESS FIT WITH LIGHTPIPE		<b>dwg no</b> 10126907	<b>rev</b> C
ISO1302		0.X					
	angular	0°					
www.fci.com		cat. no.	-		Product-Customer Drw	sheet 3 of 3	

Proj/E File - REV C - 2009-06-09



Copyright FCI.

## X-ON Electronics

Largest Supplier of Electrical and Electronic Components

*Click to view similar products for [I/O Connectors](#) category:*

*Click to view products by [Amphenol](#) manufacturer:*

Other Similar products are found below :

[571763P](#) [58098-0628](#) [72.250.1628.2](#) [72.250.2428.2](#) [74720-0505](#) [76.350.0729.0](#) [76871-1403](#) [FCN-244F080-G/1](#) [FCN-260A9920](#) [PCR-E36PM](#) [PCS-XE26MA+](#) [G38A71314B](#) [1571250010](#) [157-22500-3](#) [MS3471L14-19P L/C](#) [192991-0703](#) [172501-4002](#) [172501-6002](#) [FCN-260C008-A/L0](#) [FCN-260C024-AL0](#) [FCN-261Z008](#) [2000314-1](#) [200331-1](#) [PCR-E36FC+](#) [PCS-E28FS+](#) [PCS-XE26SLFD+](#) [PCS-XE26SLFDT+](#) [G730VID08BDC24](#) [HDR-E14MSG1+](#) [U90B2054081210](#) [UE86K842720321](#) [38113800006](#) [DP3AR020WQ1R200](#) [Z4.102.0680.0](#) [500-1040](#) [500-1052](#) [500-1054](#) [ZP-4008-66L](#) [0709821002](#) [DX40-20P\(55\)](#) [5554841-1](#) [MS3474W18-8P-LC\\*](#) [SM3106F14S-7S-LC](#) [U90B3054061110](#) [U65-E04-4020](#) [ZPF000000000097891](#) [557-262M2-06C](#) [747360449](#) [10099439-003C-TRLF](#) [10137239-0021LF](#)