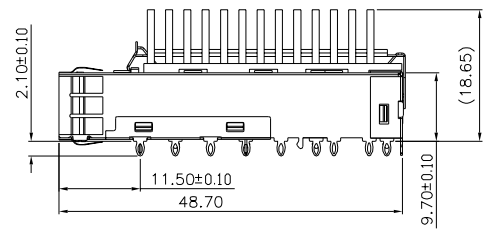
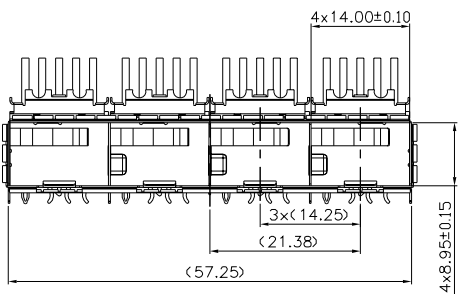
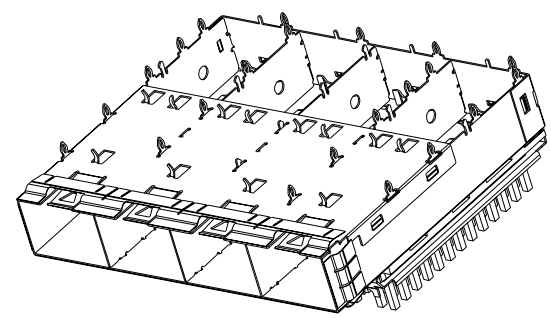
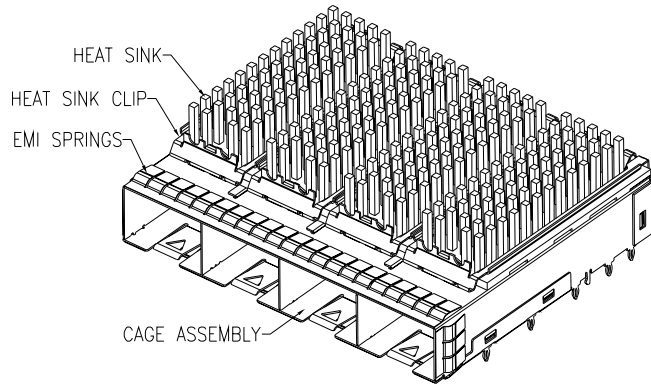
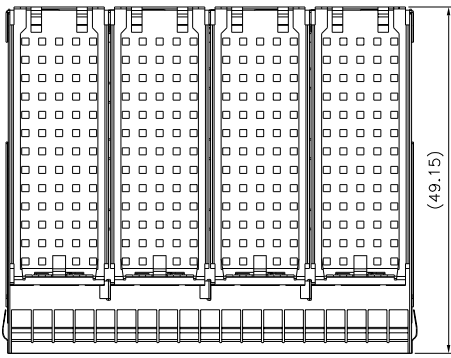


Product Number	Packaging
10126910-101LF	Tray



NOTES:

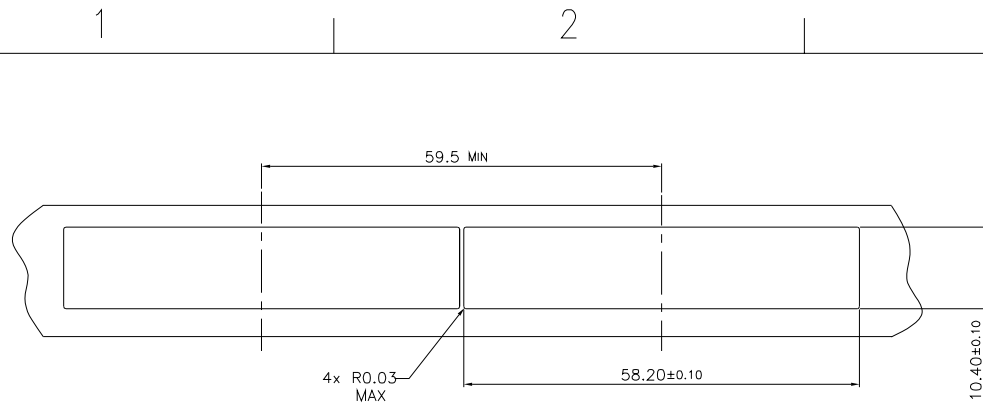
- |                |      |                            |            |
|----------------|------|----------------------------|------------|
| 1, DESCRIPTION | Q'ty | MATERIAL                   | PLATING    |
| CAGE ASSEMBLY  | 1PCS | NICKEL SILVER ALLOY T=0.25 | NO PLATING |
| EMI SPRINGS    | 4PCS | COPPER ALLOY T=0.08        | Ni PLATED  |
| HEAT SINK      | 4PCS | ALUMINIUM ALLOY            | Ni PLATED  |
| HEAT SINK CLIP | 4PCS | STAINLESS STEEL T=0.25     | NO PLATING |
- 2, PRODUCT SPECIFICATION: GS-12-1165  
3, APPLICATION SPECIFICATION: GS-20-0384  
4, PACKAGE PER GS-14-2344 AND GS-14-920



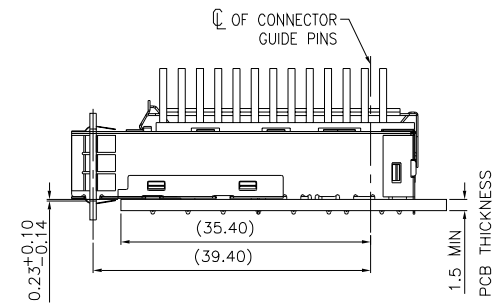
Copyright FCI.

spec ref	RELEASE	dr	Art Lin	2014-01-14	projection 	MM 	size	scale	
tolerance std	TOLERANCES UNLESS OTHERWISE SPECIFIED	eng	Zhen Luo	2014-01-14			size	A4	1:1
ISO406 ISO1101		chr	Collins Lu	2014-01-15			ecn no		
surface	linear	appr	JEFFREY QIN	2014-01-15	product family	SFP+	rel level	Released	
ISO1302		angular	0°	±0.5°	www.fci.com	cat. no.	-	Product-Customer Drw	sheet 1 of 3
						title	SFP+ 1X4 CAGE ASSEMBLY EMI SPRING TYPE PRESS FIT WITH HEATSINK		rev
					dwg no	10126910			

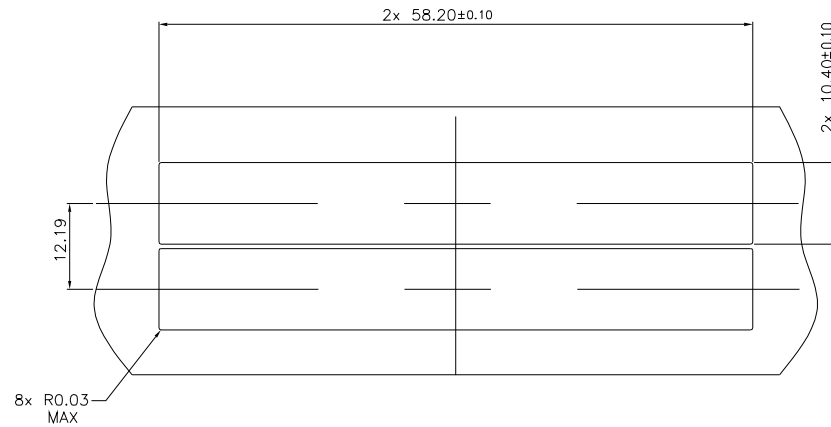
Pro/E File - REV C - 2009-06-09



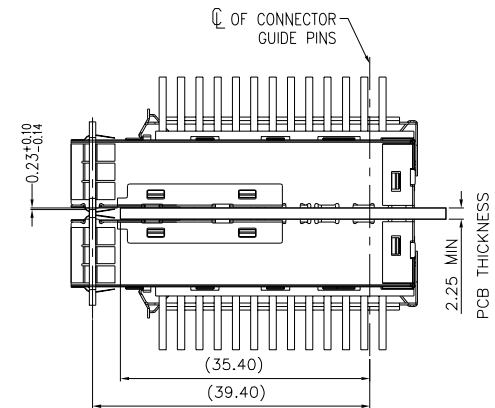
RECOMMENDED BEZEL CUT-OUT SINGLE SIDED APPLICATIONS



MOUNTED ON PC BOARD SHOWN THRU RECOMMENDED BEZEL



RECOMMENDED BEZEL CUT-OUT BELLY TO BELLY APPLICATIONS



MOUNTED BELLY TO BELLY ON PC BOARD SHOWN THRU RECOMMENDED BEZEL

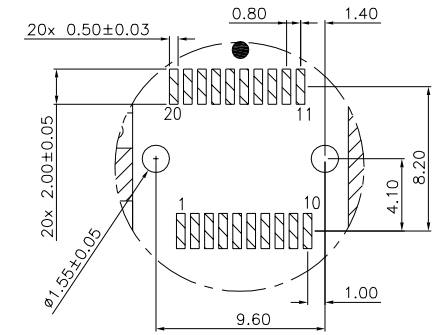
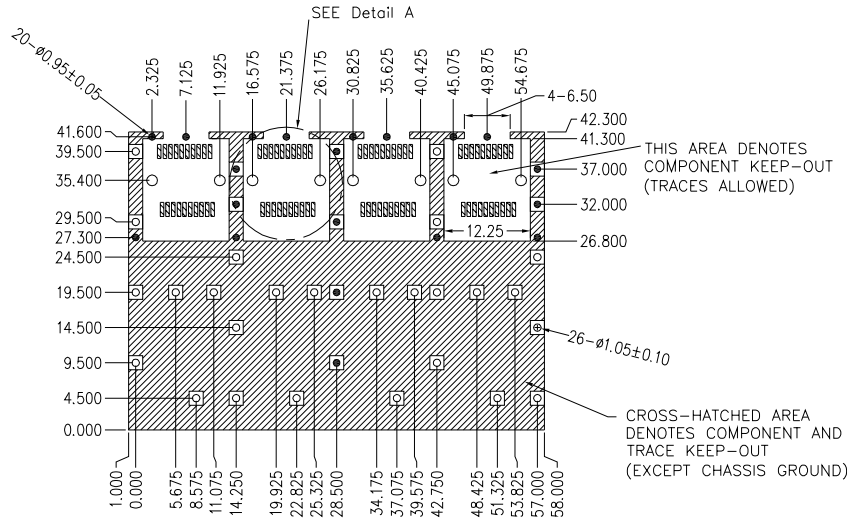


Copyright FCI.

spec ref	RELEASE			dr	Art Lin	2014-01-14	projection 	size A4	scale 1:1		
tolerance std	TOLERANCES UNLESS OTHERWISE SPECIFIED			eng	Zhen Luo	2014-01-14					
ISO406 ISO1101				chr	Collins Lu	2014-01-15					
				appr	JEFFREY QIN	2014-01-15	product family	SFP+	rel level	Released	
surface ISO1302	linear	0.X	±0.25		title	SFP+ 1X4 CAGE ASSEMBLY		dwg no	10126910	rev	C
		0.XX	±0.20			EMI SPRING TYPE PRESS FIT WITH HEATSINK					
	angular	0°	±0.5°			www.fci.com	cat. no.				

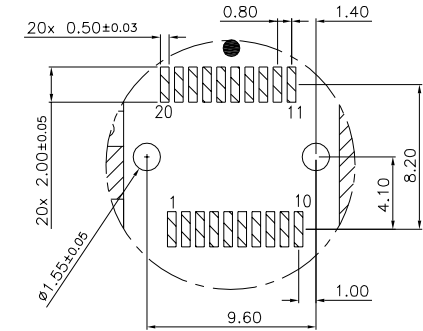
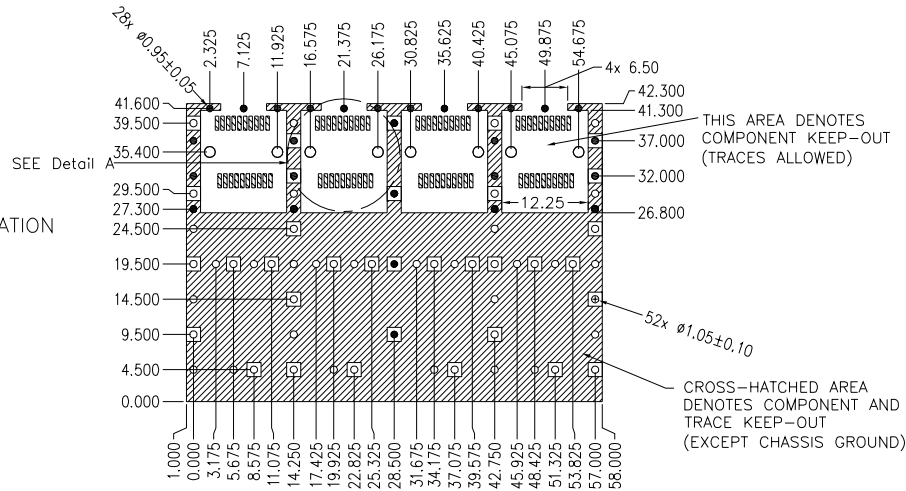
Pro/E File - REV C - 2009-06-09

RECOMMENDED PCB CONFIGURATION  
WITH KEEP-OUT AREAS  
SINGLE SIDED APPLICATIONS



Detail A  
SCALE 2.5:1

RECOMMENDED PCB CONFIGURATION  
WITH KEEP-OUT AREAS  
BELLY TO BELLY APPLICATIONS



Detail A  
SCALE 2.5:1



Copyright FCI.

spec ref	RELEASE			dr	Art Lin	2014-01-14	projection 	size A4	scale 1:1	
tolerance std	TOLERANCES UNLESS OTHERWISE SPECIFIED			eng	Zhen Luo	2014-01-14				
ISO406 ISO1101				chr	Collins Lu	2014-01-15				
surface	linear	0.X	±0.25	FCI	title	SFP+ 1X4 CAGE ASSEMBLY EMI SPRING TYPE PRESS FIT WITH HEATSINK	product family	SFP+	rel level	Released
ISO1302		0.XX	±0.20							
	angular	0°	±0.5°							

## X-ON Electronics

Largest Supplier of Electrical and Electronic Components

*Click to view similar products for [I/O Connectors](#) category:*

*Click to view products by [Amphenol](#) manufacturer:*

Other Similar products are found below :

[571763P](#) [58098-0628](#) [72.250.1628.2](#) [72.250.2428.2](#) [74720-0505](#) [76.350.0729.0](#) [76871-1403](#) [FCN-244F080-G/1](#) [FCN-260A9920](#) [MP-5T180MUNNA-005](#) [PCR-E36PM](#) [PCS-XE26MA+](#) [G38A71314B](#) [1571250010](#) [157-22500-3](#) [MS3471L14-19P L/C](#) [192991-0703](#) [172501-4002](#) [172501-6002](#) [FCN-260C008-A/L0](#) [FCN-260C024-AL0](#) [FCN-261Z008](#) [2000314-1](#) [200331-1](#) [PCR-E36FC+](#) [PCS-E28FS+](#) [PCS-XE26SLFD+](#) [PCS-XE26SLFDT+](#) [G730VID08BDC24](#) [HDR-E14MSG1+](#) [U90B2054081210](#) [UE86K842720321](#) [38113800006](#)  
[DP3AR020WQ1R200](#) [Z4.102.0680.0](#) [500-1040](#) [500-1052](#) [500-1054](#) [ZP-4008-66L](#) [0709821002](#) [DX40-20P\(55\)](#) [5554841-1](#) [MS3474W18-8P-LC\\*](#) [SM3106F14S-7S-LC](#) [U90B3054061110](#) [U65-E04-4020](#) [ZPF000000000097891](#) [557-262M2-06C](#) [747360449](#) [10099439-003C-TRLF](#)