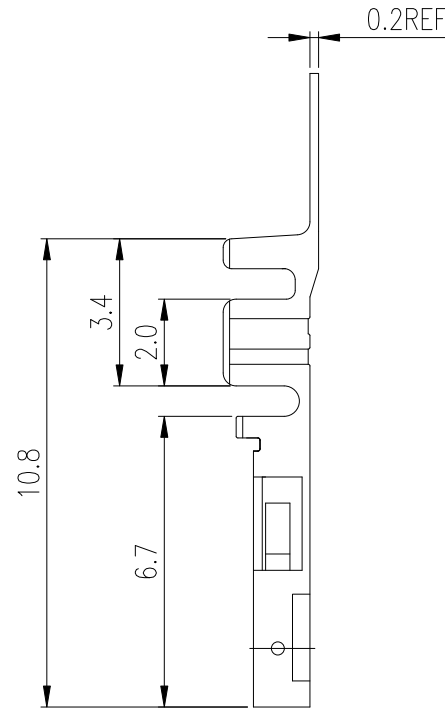
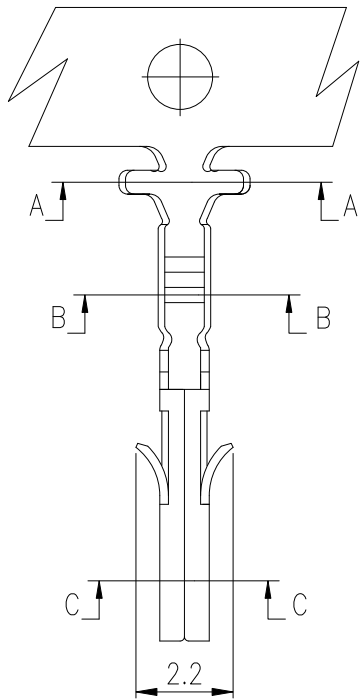


PRODUCT NUMBER
10127718-00XXLF

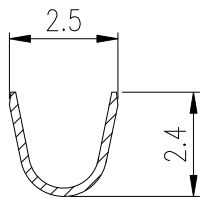


NOTES:

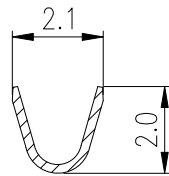
1. MATERIAL:
TERMINAL: PHBR
2. FINISH:
MIN. 30u" NICKEL OVERALL UNDERPLATING.
OPTIONAL PLATING ON CONTACT AREA.
3. PLATE TYPE: OPTIONS.
4. TERMINAL Q'ty/REEL: 10,000PCS.
5. APPLICABLE WIRES: AWG#30~#20, INSULATOR O.D:
1.27~1.85mm.
6. THIS TERMINAL IS USED WITH FCI RECEPTACLE HSG
10127716.
7. PRODUCT SPECIFICATION: GS-12-1177.
8. PACKAGE SPECIFICATION: GS-14-2359.
9. PRODUCT NUMBER SCHEME:
10127718-00 X X LF

PLATING TYPE
P: PRE-PLATED
BLANK: POST-PLATED

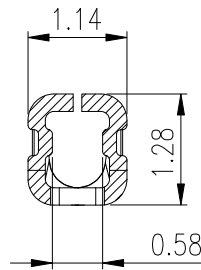
PLATING CODE
1: 80u" TIN OVERALL, CONTACT AREA
COATED WITH LUBRICANT (POST-PLATED)
2: GOLD FLASH (PRE-PLATED).
3: 15u" Au (PRE-PLATED)
4: 30u" Au (PRE-PLATED)



SEC A-A



SEC B-B



SEC C-C
SCALE 2:1

mat'l. code				surface		tolerance	projection	product family				
ltr				ecn no		date	tolerances unless otherwise specified		title			
A				TAI		2013-10-21	X.X ±0.4		MM		RECEPTACLE CRIMP TERMINAL FOR MINITEK PWR3.0 WIRE CONNECTOR	
B				ELX-T-17032		TAI	2014-02-25		angles		scale	
C				ELX-T-18006		TAI	2014-06-19		X°±2°		scale	
D				ELX-T-21533		TAI	2015-07-15		dr		KENNY TAI	
E				ELX-T-23008		TAI	2016-01-12		enr		KENNY TAI	
									chr		KENNY TAI	
									appd		PM ZHENG	
sheet index				revision sheet		E	1				sheet 1 of 1 size	
											10127718 A4	
											CUSTOMER Drawing	

X-ON Electronics

Largest Supplier of Electrical and Electronic Components

Click to view similar products for [Headers & Wire Housings](#) category:

Click to view products by [Amphenol](#) manufacturer:

Other Similar products are found below :

[892-18-020-10-001101](#) [58102-G61-06LF](#) [582553-1](#) [0009485154](#) [009176003701906](#) [0050291907](#) [LY20-4P-DT1-P1E-BR](#) [02.125.8002.8](#)
[609-3404](#) [61062-3](#) [622-0430](#) [622-3653LF](#) [63453-116](#) [636-1030](#) [636-1427](#) [636-3427](#) [636-4007](#) [641938-9](#) [641991-4](#) [644827-2](#) [65817-010LF](#)
[65817-015LF](#) [65863-015LF](#) [66207-023LF](#) [67095-007LF](#) [67601157](#) [68648-049](#) [70.362.1628.0](#) [70-4210](#) [70-4226B](#) [70-4853B](#) [707-5020](#) [707-5028](#) [71.350.2428.0](#) [71918-208LF](#) [71961-016LF](#) [733-134](#) [733-162](#) [754199-000](#) [760-3052](#) [787-8014-00](#) [79531-3000](#) [FCN-360C032-B](#) [FCN-367T-T012/H](#) [FCN-723D010/2](#) [80.063.4001.1](#) [800-90-001-10-001000](#) [800-90-010-10-002000](#) [801-43-002-10-013000](#) [801-43-006-10-002000](#)