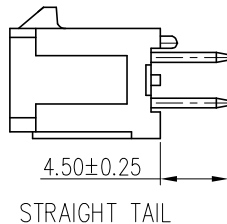
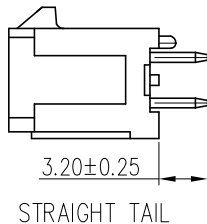
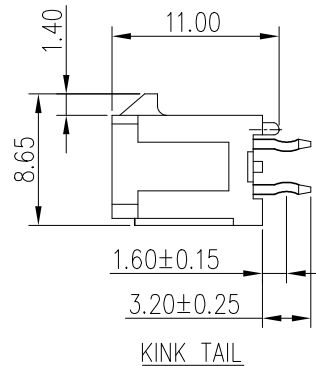
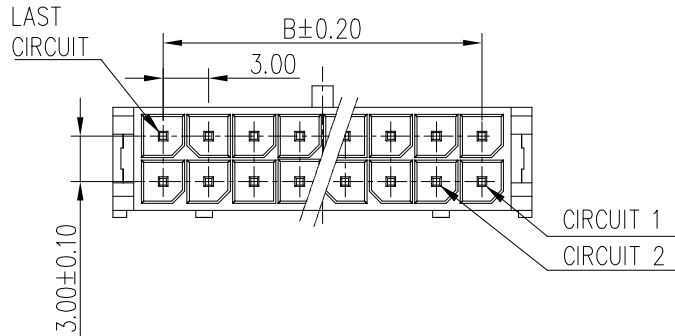
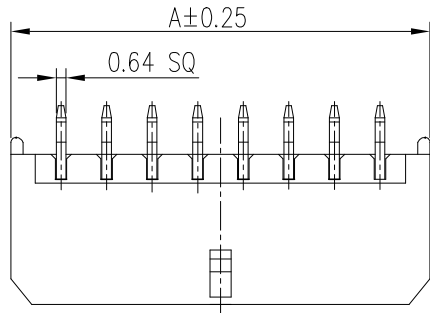


PRODUCT NUMBER  
SEE P/N SCHEME

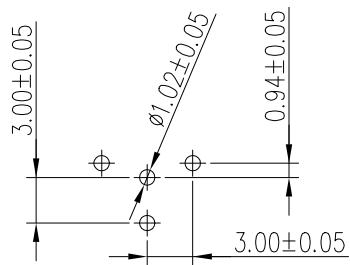
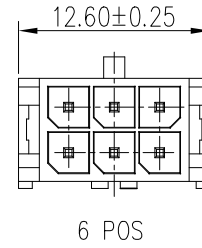
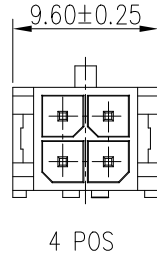
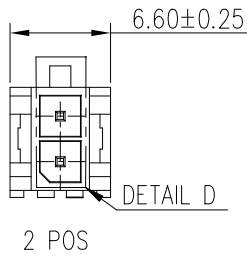


- NOTE:
- MATERIAL:  
HOUSING: HIGH TEMP. THERMOPLASTIC, UL94V-0, COLOR: SEE P/N SCHEME  
CONTACT: COPPER ALLOY.
  - CONTACT FINISH: 50u" MIN. NICKEL UNDERPLATED. OPTIONAL PLATING ON CONTACT AREA.
  - THIS PLUG MATES WITH FCI RECEPTACLE WIRE CONNECTOR 10127716.
  - PRODUCT SPECIFICATION: GS-12-1177.
  - PACKAGE SPECIFICATION: GS-14-2359.
  - THE HOUSING WILL WITHSTAND EXPOSURE TO 260°C PEAK TEMPERATURE 10 SECONDS IN A REFLOW OVEN.
  - PART NUMBER SCHEMATIC  
10127721- XX X X X LF
- POS. CODE:  
02: 2 POS  
04: 4 POS  
S  
24: 24 POS
- PACKAGE:  
BLANK: TRAY  
P: TRAY WITH PE BAG  
R: TAPE AND REEL WITH CAP  
T: TAPE AND REEL WITHOUT CAP
- GLOW WIRE COMPATIBLE:  
BLANK: NON-COMPATIBLE, BLACK  
G: COMPATIBLE, BLACK  
N: NON-COMPATIBLE, NATURAL  
S: COMPATIBLE, NATURAL
- CONTACT CODE:  
1: 3.20mm KINK TAIL, 100u" TIN OVERALL  
2: 3.20mm KINK TAIL, GOLD FLASH OVERALL  
3: 3.20mm KINK TAIL, 15u" Au ON CONTACT, TIN ON SOLDER TAIL  
4: 3.20mm KINK TAIL, 30u" Au ON CONTACT, TIN ON SOLDER TAIL  
5: 3.20mm STRAIGHT TAIL, G/F ON CONTACT, TIN ON SOLDER TAIL  
6: 4.50mm STRAIGHT TAIL, 100u" TIN OVERALL

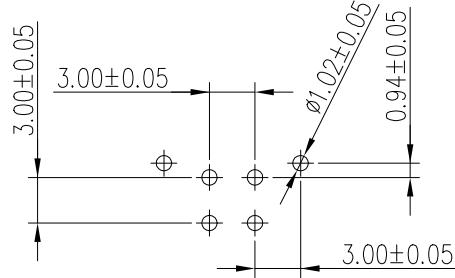
8. P/N & DIMENSION TABLE:

P/N	POS	A	B
10127721-02XXXLF	2	6.60	--
10127721-04XXXLF	4	9.60	3.00
10127721-06XXXLF	6	12.60	6.00
10127721-08XXXLF	8	15.60	9.00
10127721-10XXXLF	10	18.60	12.00
10127721-12XXXLF	12	21.60	15.00
10127721-14XXXLF	14	24.60	18.00
10127721-16XXXLF	16	27.60	21.00
10127721-18XXXLF	18	30.60	24.00
10127721-20XXXLF	20	33.60	27.00
10127721-22XXXLF	22	36.60	30.00
10127721-24XXXLF	24	39.60	33.00

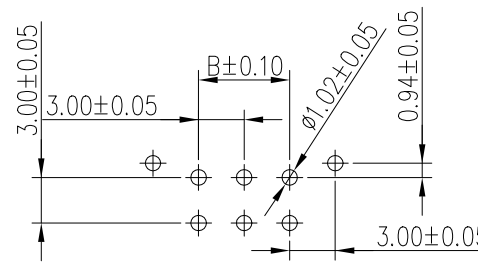
mat'l. code		surface		tolerance		projection		product family	
ltr		ecn no dr		date		tolerances unless otherwise specified		MINITEK PWR3.0	
H		ELX-N-30134 TONY		2018-07-24		angles		title	
J		ELX-N-31205 TONY		2018-09-07		x.X±0.3		MINITEK PWR3.0 WTB HEADER	
						x.XX±0.20		DUAL ROW, VERTICAL DIP TYPE	
						x*±2'		scale	
D		ELX-T-20671 TAI		2015-04-13 dr		KENNY TAI 2013-10-21		dwg no	
E		ELX-T-22745 TAI		2015-12-09 engr		KENNY TAI 2013-10-21		sheet 1 of 2	
F		ELX-T-25311 TAI		2016-11-11 chr		KENNY TAI 2013-10-21		size	
G		ELX-N-28170 TONY		2017-10-16 appd		PM ZHENG 2013-11-06		10127721	
sheet		revision		J J				type	
index		sheet		1 2				Product Customer Drawing	



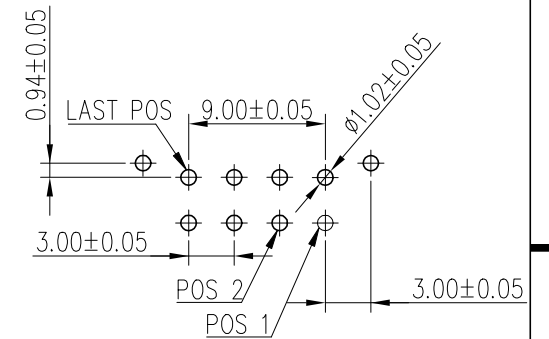
2 POS  
RECOMMENDED PCB LAYOUT



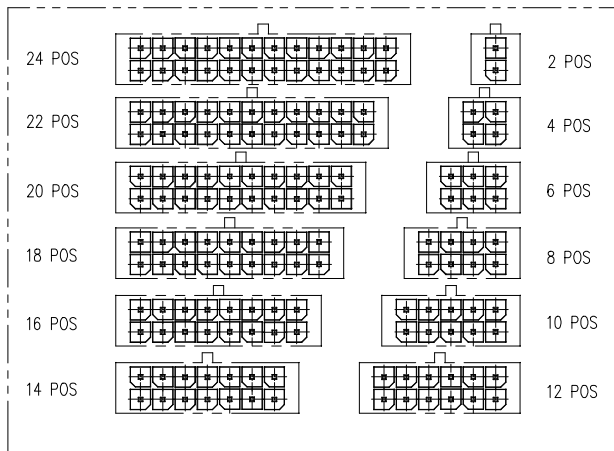
4 POS  
RECOMMENDED PCB LAYOUT



6 POS  
RECOMMENDED PCB LAYOUT



8~24 POS  
RECOMMENDED PCB LAYOUT



DETAIL D

mat'l. code		surface		tolerance		projection		product family	
ltr		ecn no		dr		date		MINITEK PWR3.0	
								title	
								MINITEK PWR3.0 WT B HEADER	
								DUAL ROW, VERTICAL DIP TYPE	
								dwg no	
								sheet2 of 2	
								size	
								A4	
								type	
								Product Customer Drawing	
sheet index		revision sheet		J J		1 2			

## X-ON Electronics

Largest Supplier of Electrical and Electronic Components

*Click to view similar products for [Power to the Board](#) category:*

*Click to view products by [Amphenol](#) manufacturer:*

Other Similar products are found below :

[6450171-4](#) [6450552-7](#) [6600323-8](#) [6643429-1](#) [6646040-2](#) [6651939-1](#) [6766604-1](#) [120959-1](#) [1393557-2](#) [1393532-2](#) [1393532-3](#) [1393532-4](#)  
[1393557-1](#) [1600812-5](#) [1-6450861-2](#) [1744132-7](#) [1761122-1](#) [1766250-1](#) [1892109-1](#) [2-6450860-5](#) [2-6450870-0](#) [1-6450161-4](#) [1-6450850-6](#) [1-](#)  
[6450869-6](#) [1645526-2](#) [1-6600130-0](#) [2005243-2](#) [TE34-12-16P-F0](#) [5-6450830-6](#) [5646956-4](#) [4-6450830-9](#) [4-6600333-3](#) [10125416-4050LF](#)  
[6600320-3](#) [3-6450860-5](#) [1888123-2](#) [6450166-1](#) [6643978-1](#) [6766605-1](#) [N11444](#) [6651938-1](#) [6450810-7](#) [46437-1112](#) [1-1589677-8](#) [5646956-5](#)  
[6450813-2](#) [6450129-4](#) [1645523-1](#) [PSS-06-01-T-S](#) [0465621864](#)