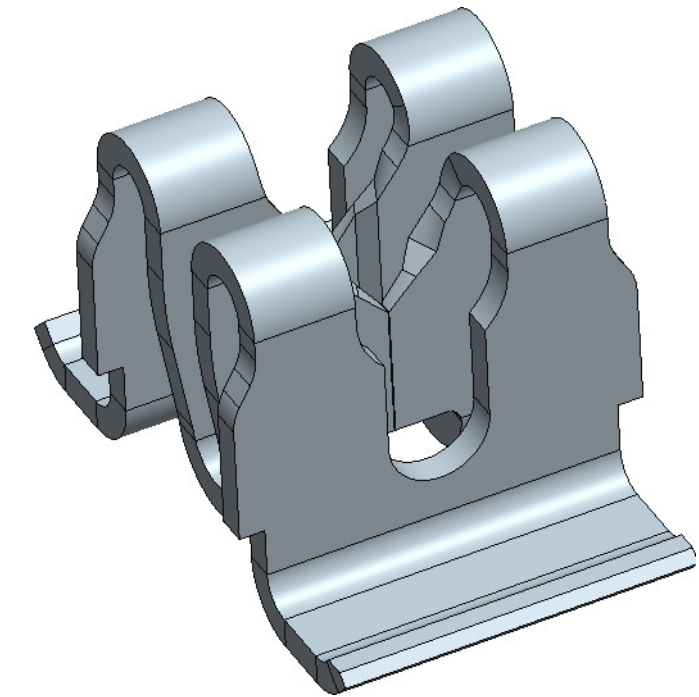
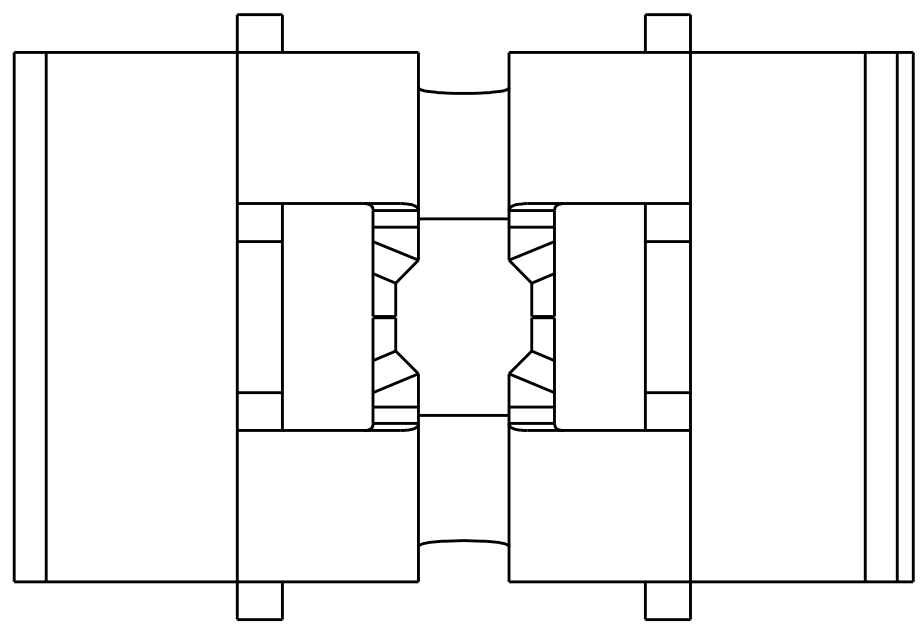


A

B

A

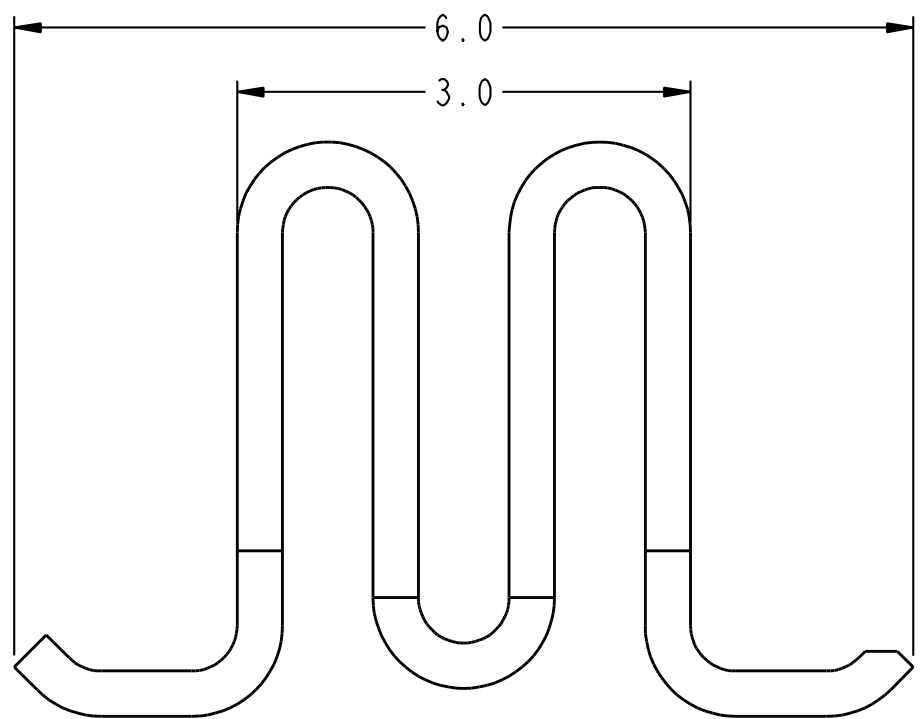
B



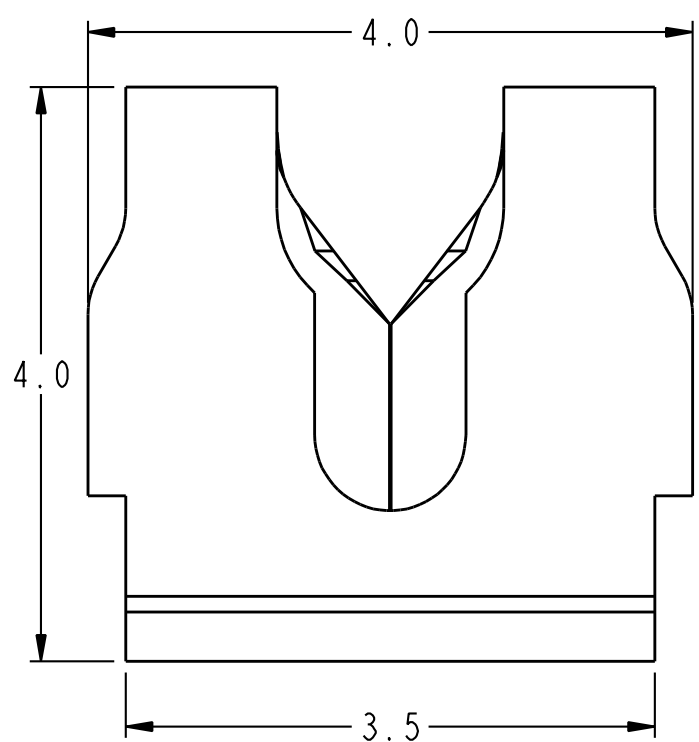
SCALE 15:1

C

C



SCALE 20:1



PART NUMBER	QUANTITY	DESCRIPTION	NOTES
-00ITRLF	1,900	WITHOUT PICK & PLACE CAP, IN TAPE & REEL	13
-10ITRLF	1,900	WITH PICK & PLACE CAP, IN TAPE & REEL	13
-10ILF	1	SINGULATED	10
-00ILF	7,500	ON REEL	9

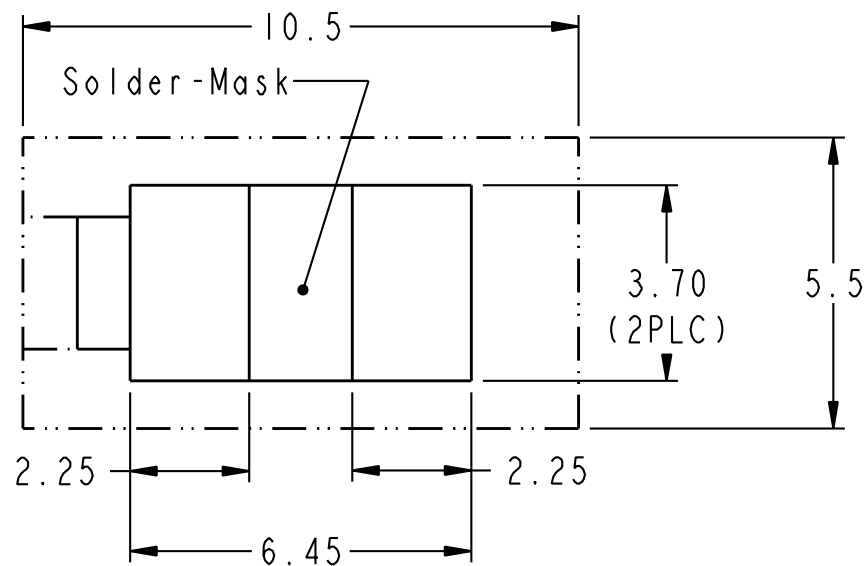
Amphenol FCI

© 2016 AFCI

D

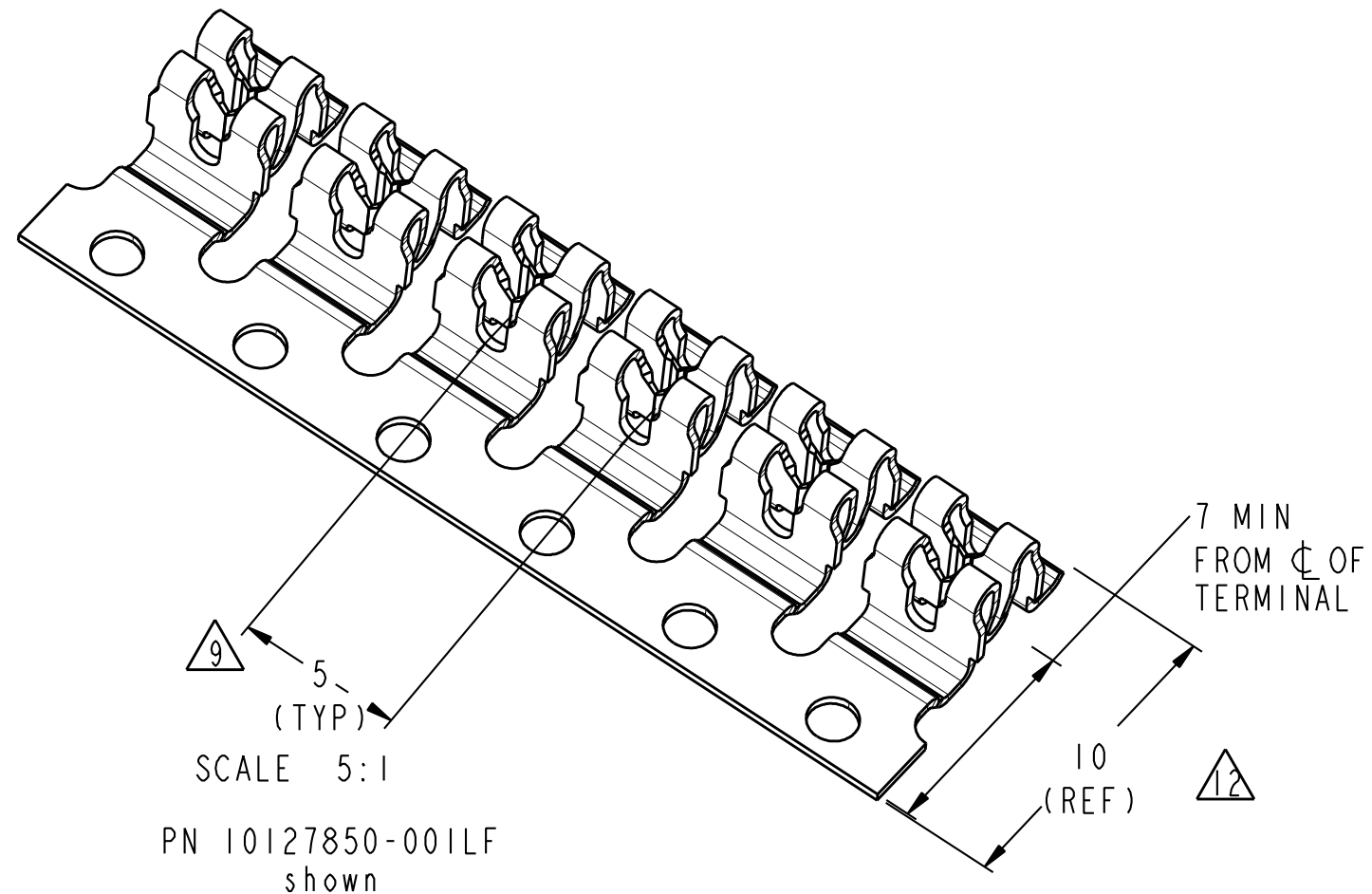
D

spec ref	-	dr	James Sabo	2014/03/18	projection	mm	size	A3	scale	10:1
tolerance std	ISO 406 ISO 1101	eng	Johann Juillet	2017/11/21			ecn no	ELX-F-27377-1		
TOLERANCES UNLESS OTHERWISE SPECIFIED		chr	Johann Juillet	2017/11/21			rel level	Released		
surface	ISO 1302	appr	Aymeric Soudy	2017/11/21	product family	-	rel level	Released		
linear	0.X ±0.3 0.XX ±0.05 0.XXX ±0.025			TERMINAL, GRIPLET,™ SMT 20-30AWG		dwg no	10127850C		rev	C
angular	0° ±2°	www.fci.com	cat. no.	-	Product - Customer Drw	sheet 1 of 3				



11 14 RECOMMENDED SOLDER-PAD FOOTPRINT AND KEEP-OUT ZONE FOR WIRE INSTALLATION TOOL.

1. CONNECTOR MATERIAL: COPPER ALLOY
2. PLATING: TIN OVER NICKEL.
3. PRODUCT SPECIFICATION: GS-12-1234.
4. PACKAGING MEETS GS-14-920 LEAD-FREE LABELING SPECIFICATION.
5. PRODUCT MARKING: N/A
6. MINIMUM CENTERLINE SPACING BETWEEN ADJACENT TERMINALS IS 5MM.
7. WIRE INSERTION TOOL REQUIRES KEEP-OUT ZONE AS SHOWN.
8. LEAD-FREE PRODUCT MEETS THE EUROPEAN UNION DIRECTIVES & OTHER COUNTRY REGULATIONS AS DESCRIBED IN GS-22-008.



Amphenol FCI

© 2016 AFCI

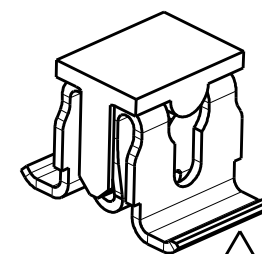
9 AVAILABLE ON 24 INCH REEL, QUANTITY 7500 PER REEL.
REELING SPECIFICATION: GS-14-2273 AND FCI
PACKAGING SPECIFICATION GS-14-2541
AVAILABLE LOOSE-IN-BAG. PACKAGE QUANTITY 1000 PER BAG.

10 RECOMMENDED KEEP-OUT ZONE FOR WIRE-INSTALLATION TOOL.

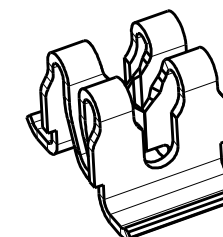
11 DIMENSIONS FOR TERMINALS PRIOR TO BREAK-OFF FROM CARRIER.

12 AVAILABLE WITH AND WITHOUT PICK & PLACE CAPS
ON 13 INCH DIAMETER REEL,
SEE TABLE FOR QUANTITY PER REEL.
TAPE & REEL SPECIFICATION: EIA-481B AND
FCI PACKAGING SPECIFICATION GS-14-2541.

14 RECOMMENDED NOMINAL SOLDER
STENCIL THICKNESS:
0.127MM (0.005 INCH)



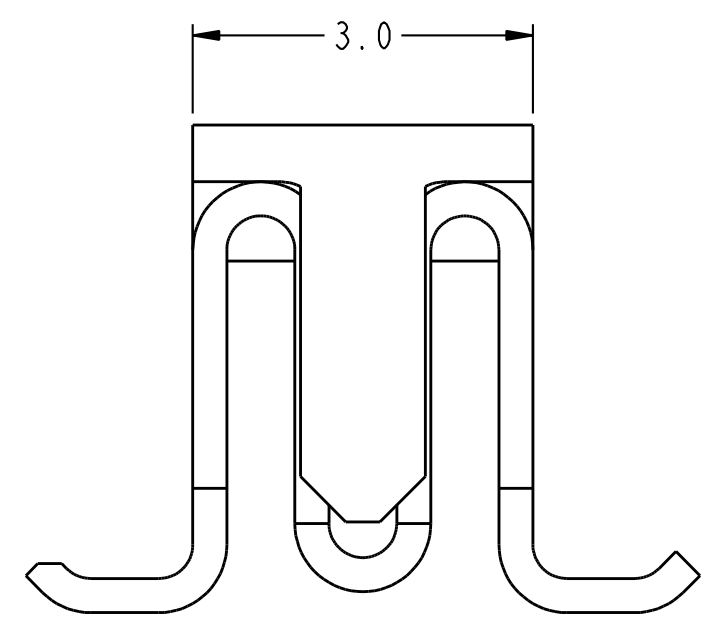
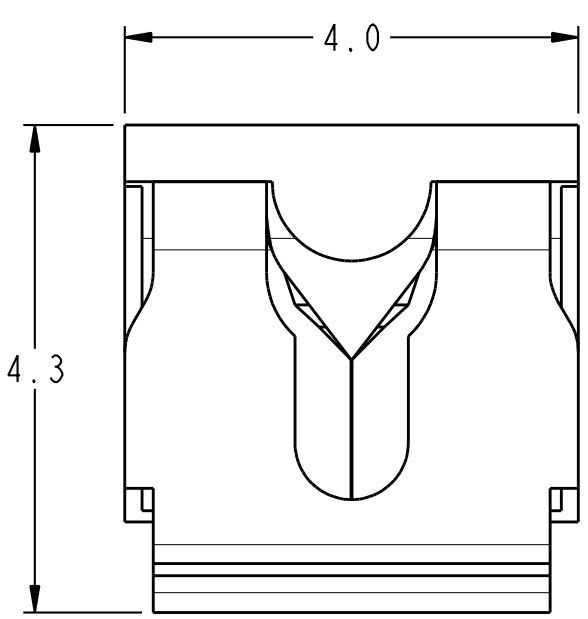
SCALE 5:1
PN 10127850-10ITRLF shown



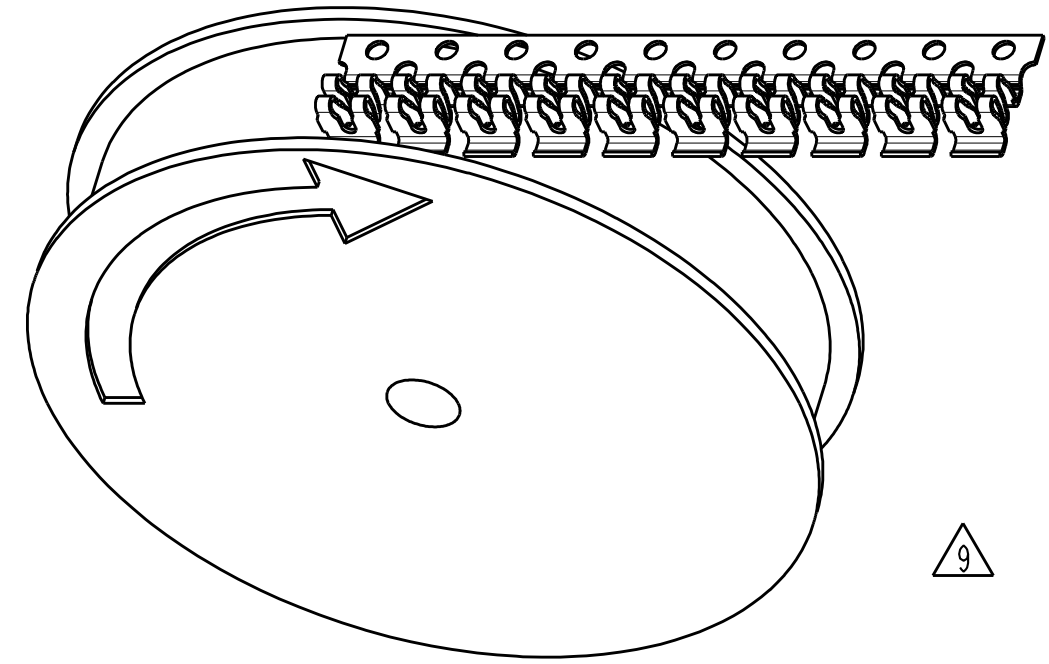
SCALE 5:1
PN 10127850-10ILF
and
PN 10127850-00ITRLF shown

spec ref	-			dr	James Sabo	2014/03/18	projection	mm	size	A3	scale	10:1
tolerance std	TOLERANCES UNLESS OTHERWISE SPECIFIED			eng	Johann Juillet	2017/11/21			ecn no		ELX-F-27377-1	
ISO 406				chr	Johann Juillet	2017/11/21			rel level		Released	
ISO 1101				appr	Aymeric Soudy	2017/11/21	product family					
surface		linear	0.X	±0.3			TERMINAL, GRIPLET,™ SMT			10127850C		
			0.XX	±0.05			20-30AWG					
			0.XXX	±0.025								
ISO 1302	angular	0°	±2°		www.fci.com	cat. no.	-	Product - Customer Drw	sheet 2 of 3			

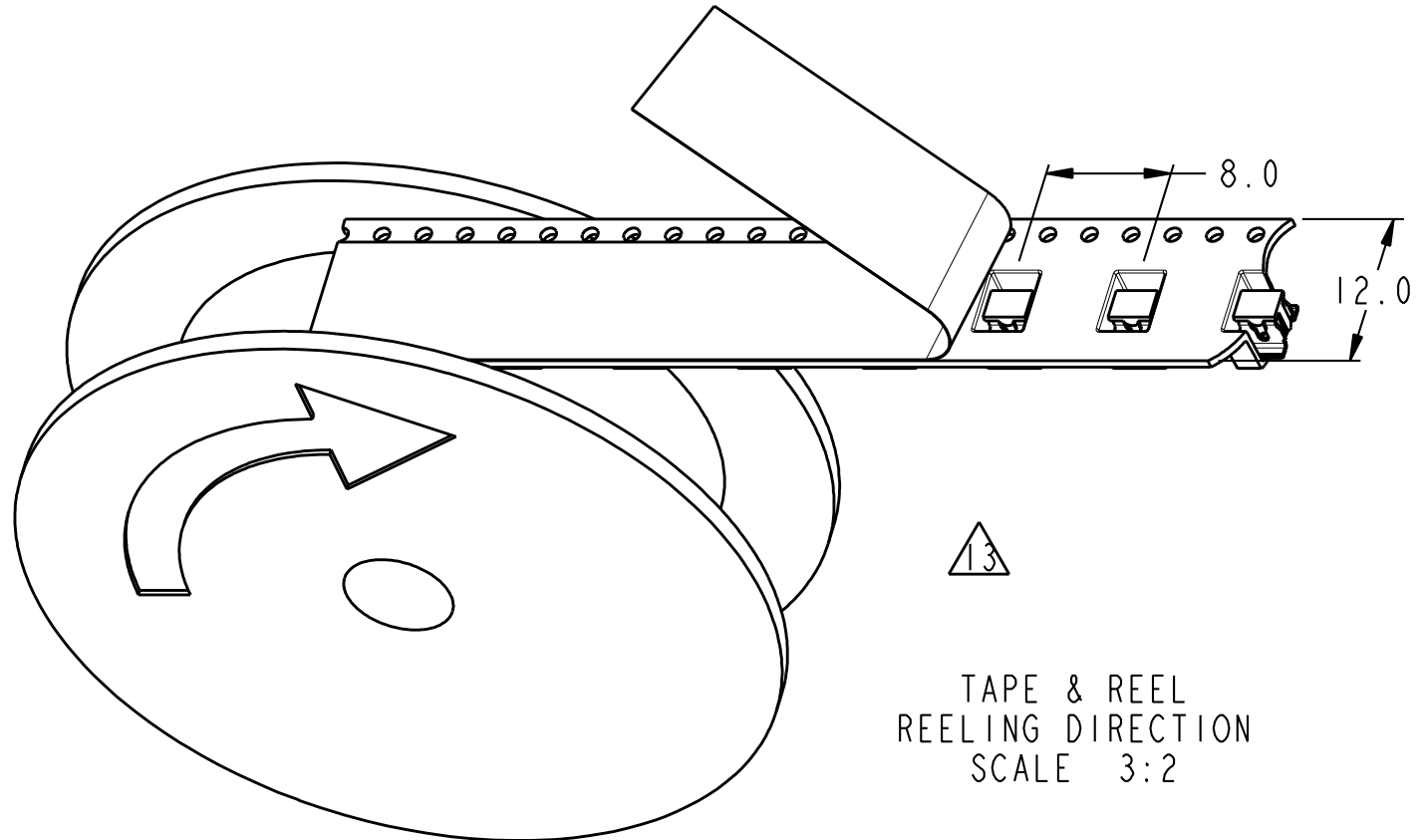
REV	DATE	RESPONSIBLE ENGINEER	PURPOSE
1	21FEB2014	J. SABO	ORIGINAL
2	31OCT2014	J. SABO	ADD COINING. REV SOLDER-PAD.
A	13APR2015	J. SABO	ADD T&R AND T-CAP.
B	03JUN2015	J. SABO	DIMENSION T-CAP. ADD AS-STAMPED REELING. ADDED PN FOR W/O CAP IN T&R.
C	21NOV2017	J. JUILLET	UPDATE PACKAGING DATA



PICK & PLACE
T-CAP SEATING
SCALE 15:1



AS-STAMPED
REELING DIRECTION
SCALE 2:1



TAPE & REEL
REELING DIRECTION
SCALE 3:2

spec ref	-	dr	James Sabo	2014/03/18	projection	mm	size	A3	scale	10:1
tolerance std	ISO 406 ISO 1101	TOLERANCES UNLESS OTHERWISE SPECIFIED			eng	Johann Juillet	2017/11/21	ecn no	ELX-F-27377-1	
surface	linear	0.X	±0.3		Amphenol FCi	www.fci.com	cat. no.	-	Product - Customer Drw	sheet 3 of 3
		0.XX	±0.05							
		0.XXX	±0.025							
ISO 1302	angular	0°	±2°		TERMINAL, GRIPLET, SMT	20-30AWG	dwg no	10127850C	rev	C

Amphenol
FCi

© 2016 AFCI

X-ON Electronics

Largest Supplier of Electrical and Electronic Components

Click to view similar products for [Terminals](#) category:

Click to view products by [Amphenol](#) manufacturer:

Other Similar products are found below :

[HT-13-10](#) [71M-250-32-NB](#) [01-2065-1-0216](#) [00581P0075](#) [M10-10RX](#) [M10BCK](#) [60205-1](#) [604200-1](#) [60598-1-CUT-TAPE](#) [60617-1-C](#) [60873-1](#) [M14-516R/SK](#) [M14-6RSX](#) [M18-10FLX](#) [M18-8FBX](#) [M18-8R/LX](#) [M18BCK](#) [61314-6-C](#) [61-S](#) [61-SN-A](#) [62149-1](#) [62-NBM-A](#) [63-S](#) [640179-1](#) [640917-2-CUT-TAPE](#) [6501550002](#) [66107-2-C](#) [66107-4-C](#) [696683-1](#) [696834-1](#) [696861-1](#) [696931-1](#) [696999-1](#) [M8-516RK](#) [M86700006](#) [MA250DMFMX-A](#) [701-2007](#) [701-2307](#) [701-7761-03](#) [70F-110-32-PB](#) [718-N-A](#) [71M-187-20-NBL](#) [71M-250-32-NBL](#) [72F-187-20-NBL](#) [72M-250-32-NBL](#) [7310](#) [73F-250-32](#) [73F-250-32-NBL](#) [73F-250-32-NL](#) [F14-10C](#)