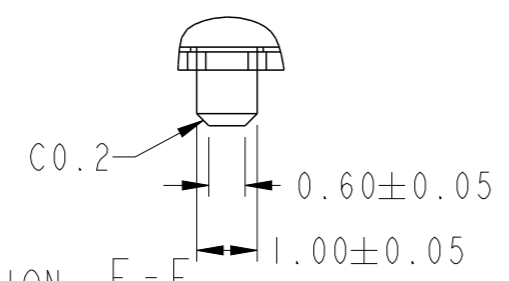
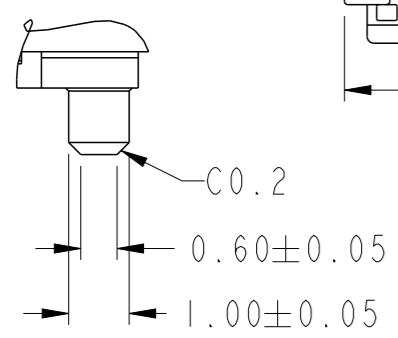
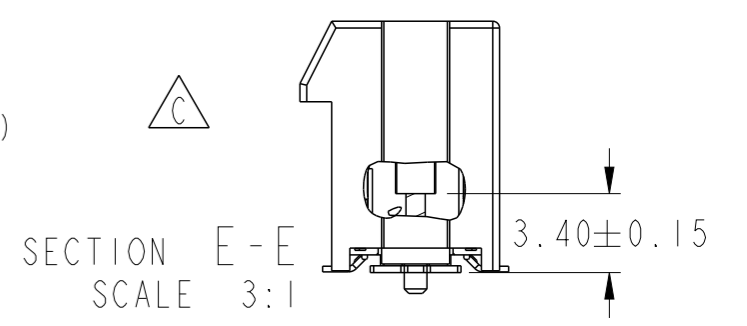
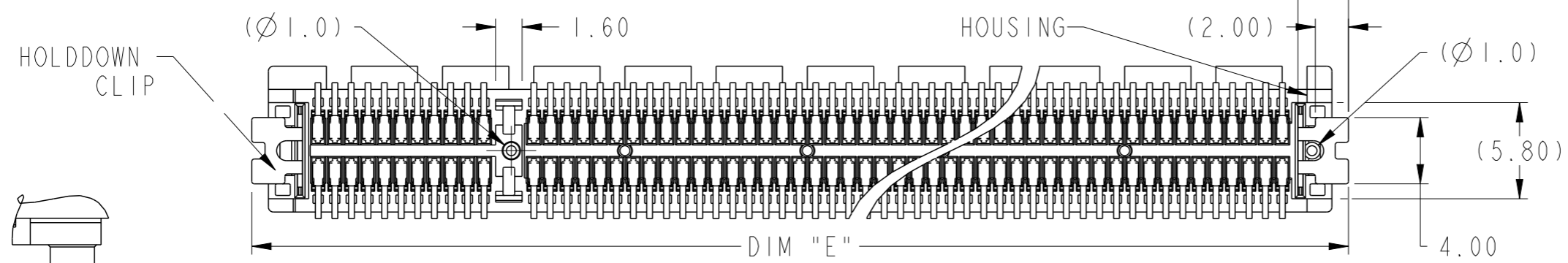
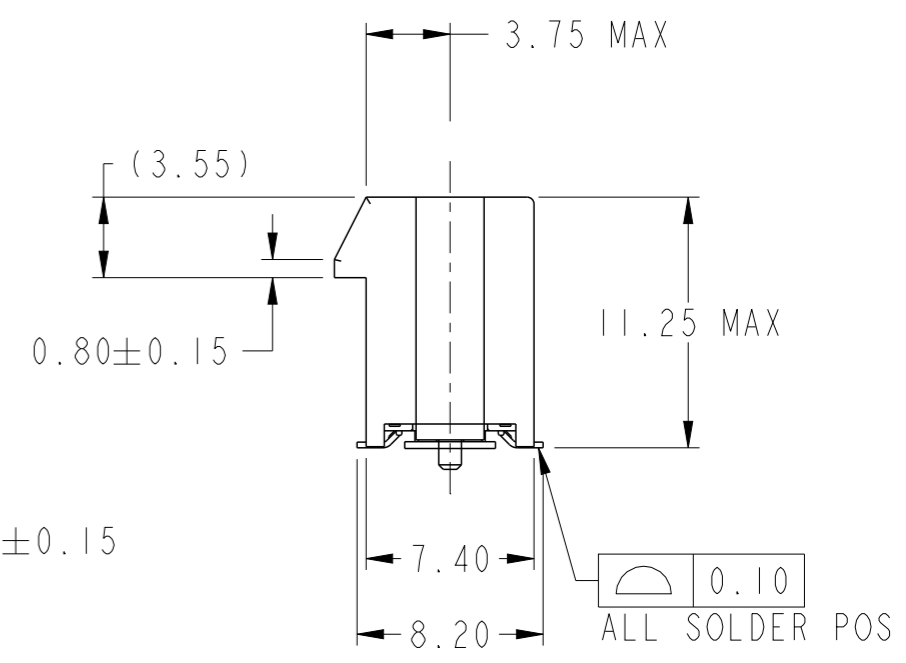
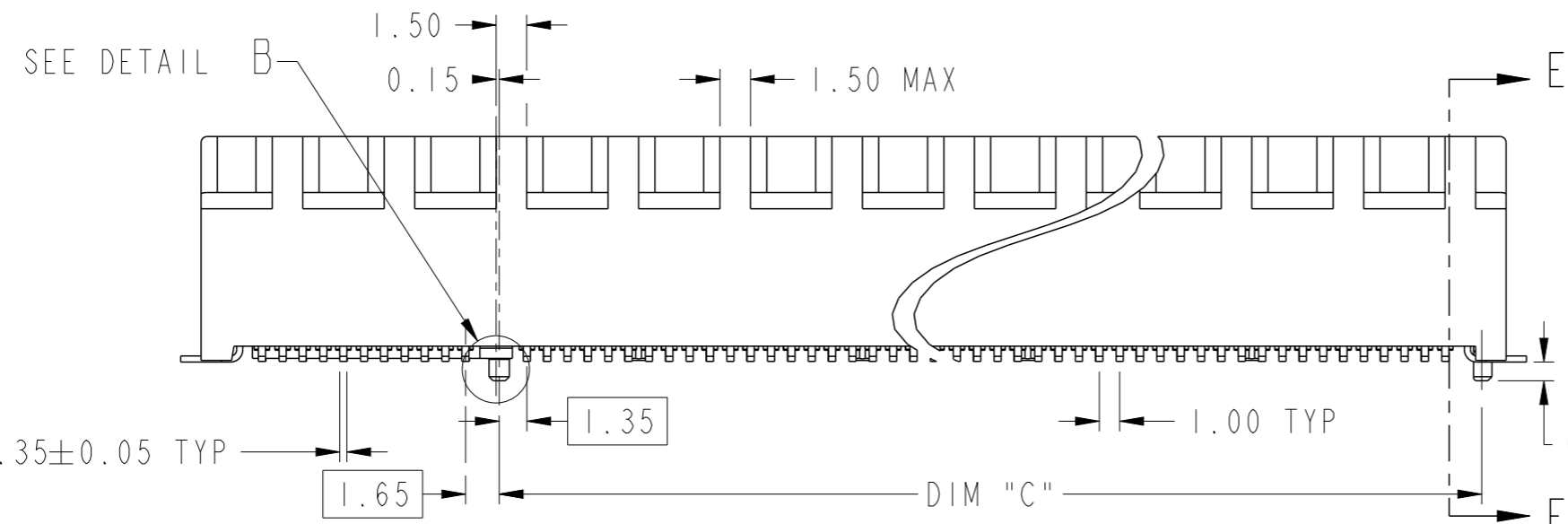
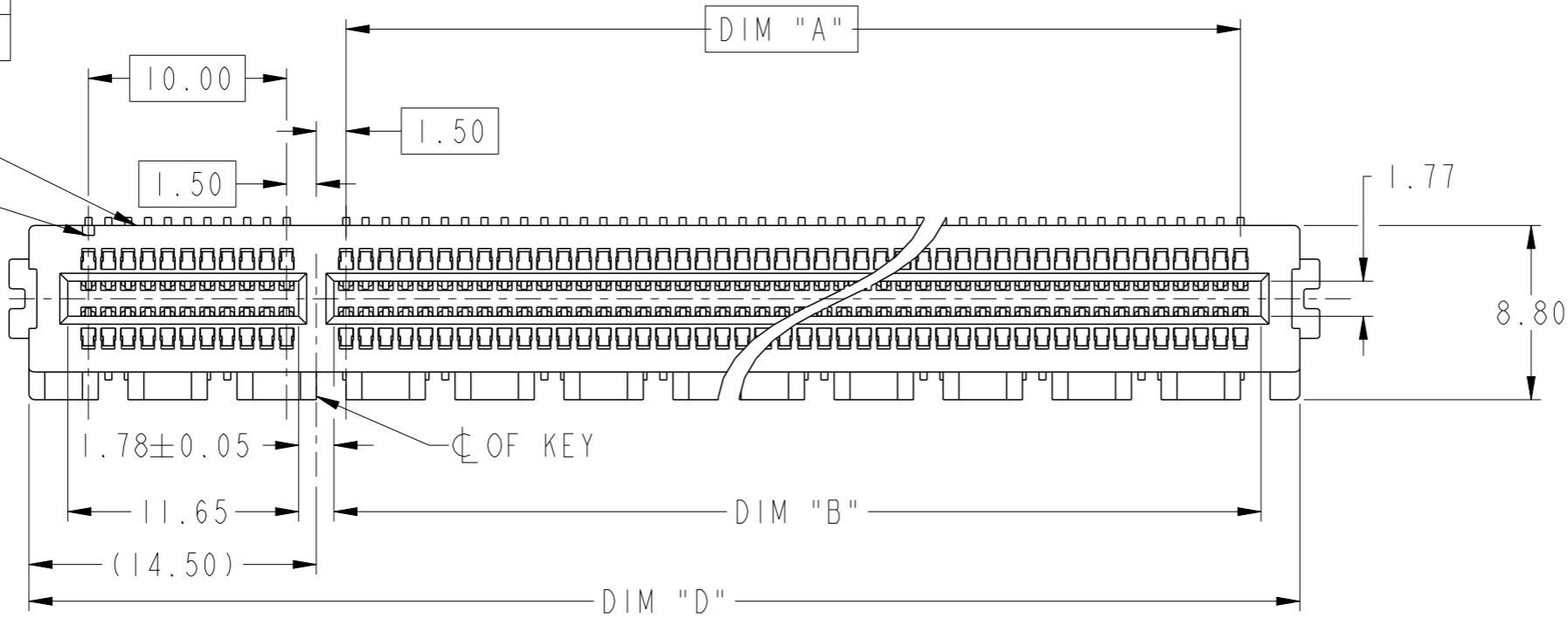


PRODUCT PARTNUMBER  
10128241-XXXXOLF

PARTNO &  
DATECODE

#AI IDENTIFIER



DETAIL B  
SCALE 8:1

SECTION E-E  
SCALE 8:1

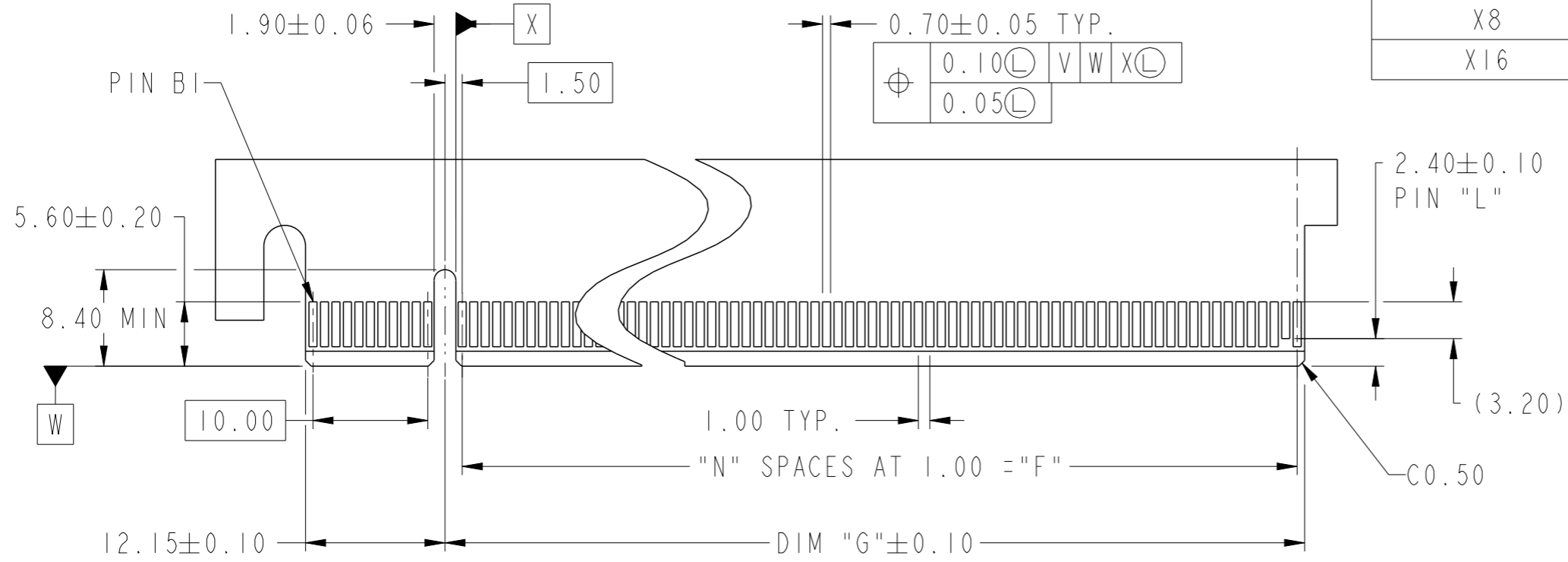
spec ref	-	dr	Matthew Cheong	2016/05/06
tolerance std	ISO 406 ISO 1101	eng	Matthew Cheong	2018/04/05
	TOLERANCES UNLESS OTHERWISE SPECIFIED	chr	-	-
		appr	Koon-Poh Tay	2018/04/10
surface	linear	0.X	±0.30	
		0.XX	±0.20	
		0.XXX	±0.1	
	angular	0°	±2°	

projection	MM	size	A3	scale	3:1
product family	PCI express	ecn no	ELX-S-29469-1	rel level	Released
Amphenol FCI	PCI Express 4.0	dwg no	10128241	rev	C
www.fci.com	SMT Type	cat. no.	-	Product - Customer Drw	sheet 1 of 4

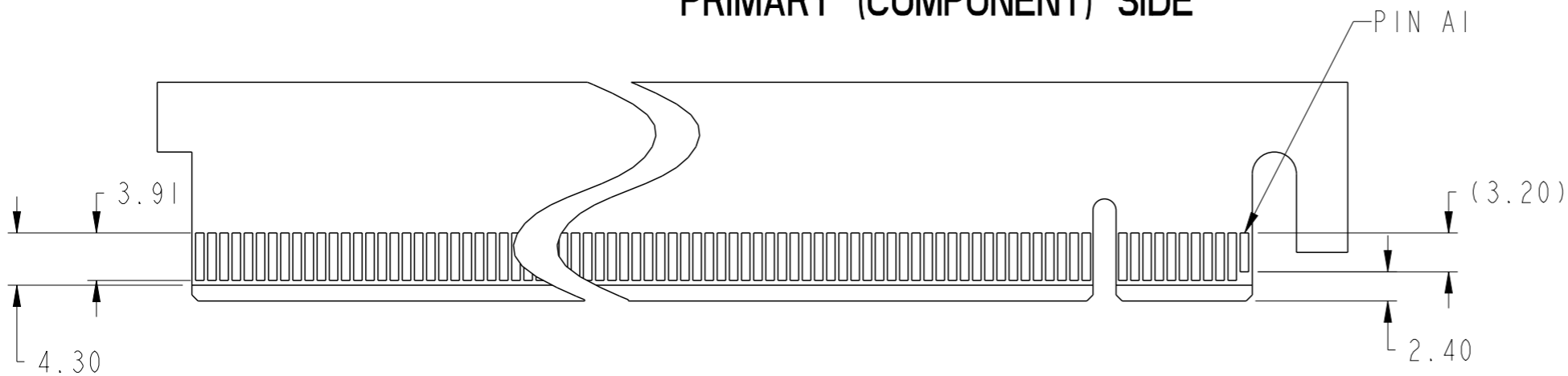
Amphenol  
FCi

© 2016 AFCI

CONNECTOR LINK WIDTH	POSITION	N	DIM "G"	DIM "F"	PIN "L"
X1	36	6	8.15	6.00	B17
X4	64	20	22.15	20.00	B31
X8	98	37	39.15	37.00	B48
X16	164	70	72.15	70.00	B81



← I/O PANEL DIRECTION  
PRIMARY (COMPONENT) SIDE

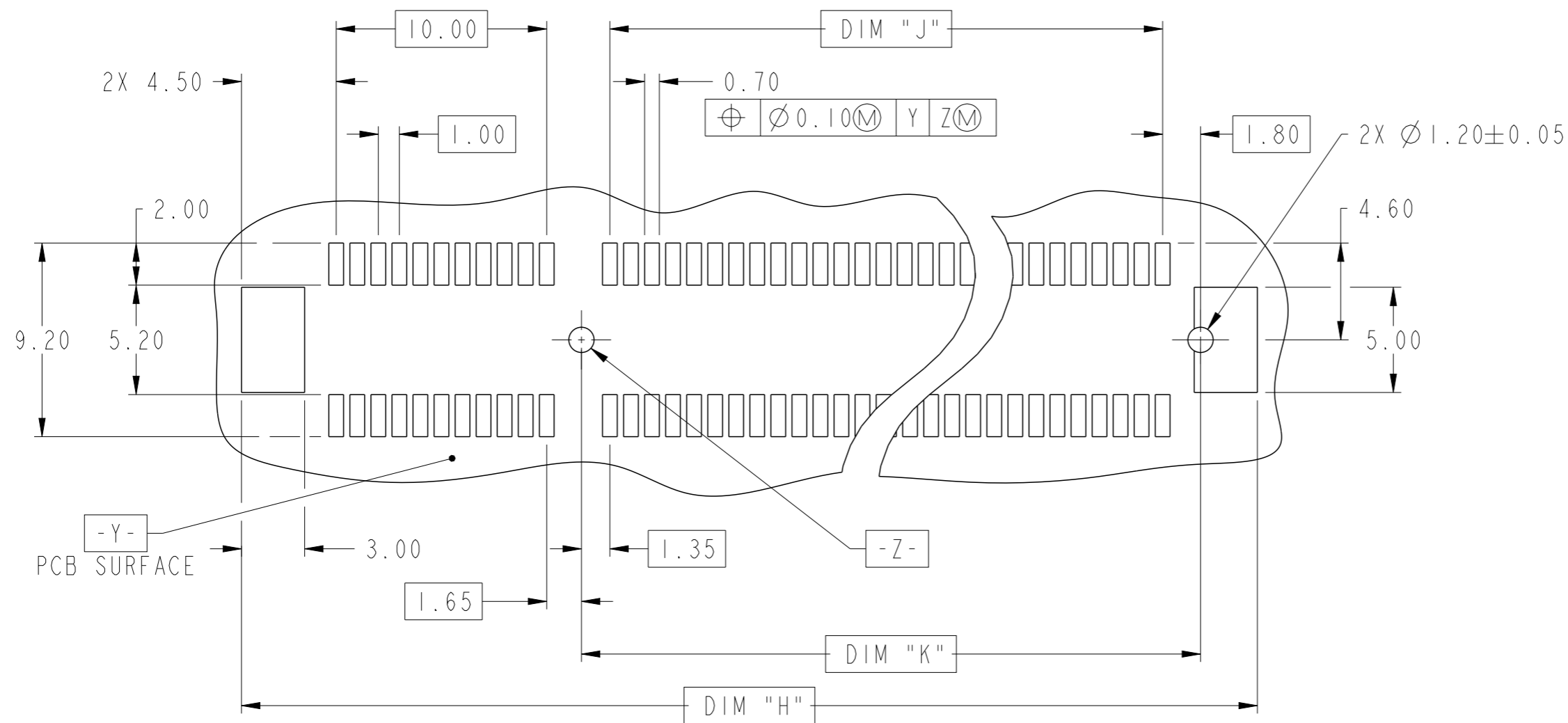


I/O PANEL DIRECTION →  
SECONDARY (SOLDER) SIDE

SEE NOTE 1 IN SHEET 2

- NO TIE BAR PERMITTED FROM CARD EDGE TO LEADING EDGE OF PAD FOR PIN AI AND PIN "L".
- CHAMFER EDGES MUST BE FREE OF CUTTING BURRS.
- TOLERANCE : ± 0.13

spec ref	-	dr	Matthew Cheong	2016/05/06	projection	MM	size	A3	scale	2:1	
tolerance std	ISO 406 ISO 1101	eng	Matthew Cheong	2018/04/05			ecn no	ELX-S-29469-1			
TOLERANCES UNLESS OTHERWISE SPECIFIED		chr	-	-			product family	PCI express	rel level	Released	
surface	linear	appr	Koon-Poh Tay	2018/04/10	PCI Express 4.0		dwg no	10128241		rev	C
ISO 1302	angular	www.fci.com		cat. no.	Product - Customer Drw		sheet 2 of 4				
	0.X	±0.30									
	0.XX	±0.20									
	0.XXX	±0.1									
	0°	±2°									



### RECOMMENDED PCB LAYOUT, PAD TYPE

DIMENSIONS								
POSITION	A	B $^{+0.15}_{-0.05}$	C $\pm 0.10$	D $\pm 0.23$	E $\pm 0.20$	H $\pm 0.10$	J	K $\pm 0.10$
36	6.00	7.65	9.15	25.00	27.00	28.00	6.00	9.15
64	20.00	21.65	23.15	39.00	41.00	42.00	20.00	23.15
98	37.00	38.65	40.15	56.00	58.00	59.00	37.00	40.15
164	70.00	71.65	73.15	89.00	91.00	92.00	70.00	73.15

spec ref	-	dr	Matthew Cheong	2016/05/06	projection	MM	size	A3	scale	4:1
tolerance std	ISO 406 ISO 1101	TOLERANCES UNLESS OTHERWISE SPECIFIED			eng	Matthew Cheong	2018/04/05	ecn no	ELX-S-29469-1	
surface	-	chr	-	-	appr	Koon-Poh Tay	2018/04/10	product family	PCI express	
ISO 1302	linear	0.X	±0.30	Amphenol FCI		PCI Express 4.0		rel level	Released	
		0.XX	±0.20	www.fci.com		SMT Type		dwg no	10128241	
	angular	0°	±2°	cat. no.		-		Product - Customer Drw	sheet 3 of 4	

PRODUCT NUMBER CODE

10128241 - □□□□ 0LF

HOUSING COLOR

I: BLACK



CONTACT AREA PLATING

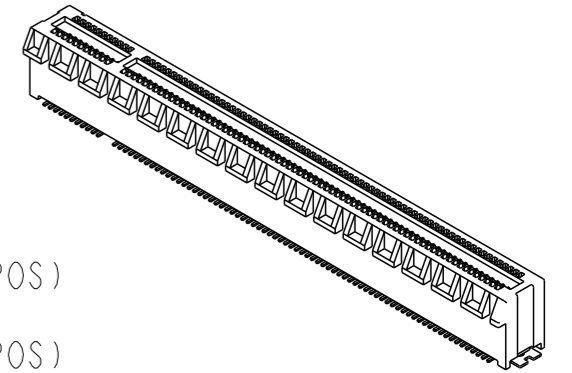
1: 30u" Au  
2: 15u" Au

PACKAGING OPTIONS

- A: HARD TRAY (DIM: 323 x 136 x 19) WITH KAPTON TAPE (164 POS)
- Q: HARD TRAY (DIM: 323 x 136 x 19) (164 POS)
- C: SOFT TRAY (317.5 x 235 x 18) WITH PICK-UP CAP (36 & 64 POS)
- T: SOFT TRAY (317.5 x 235 x 18) WITH KAPTON TAPE (36 & 64 POS)
- X: HARD TRAY (DIM: 330 x 235 x 19.3) WITH PICK UP CAP (98 & 164 POS)
- Y: HARD TRAY (DIM: 330 x 235 x 19.3) WITH KAPTON TAPE (98 & 164 POS)
- Z: HARD TRAY (DIM: 330 x 235 x 19.3) WITH KAPTON TAPE, 86MM (164 POS)

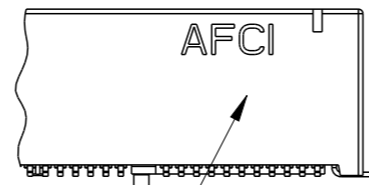
NO. OF POSITION

- 0: 36 POSITIONS
- 1: 64 POSITIONS
- 2: 98 POSITIONS
- 3: 164 POSITIONS



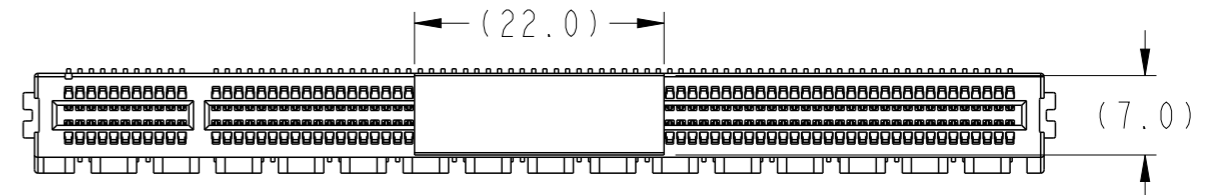
NOTES:

1. MATERIAL:  
HOUSING: HIGH PERFORMANCE RESINS, GLASS FILLED, UL94V-0  
CONTACT: COPPER ALLOY.  
METAL PADS: COPPER ALLOY
2. PLATING:  
CONTACT: UNDERPLATE: 50u" NICKEL OVER ALL.  
SOLDER AREA: 100u" TIN (LEAD FREE).  
MATING AREA: SEE PRODUCT NUMBER CODE.  
HOLDDOWN CLIP: 100u" TIN OVER 50 u" NICKEL.
3. PRODUCT SPECIFICATION: GS-12-1406
4. PRODUCT MEETS EUROPEAN UNION DIRECTIVES AND OTHER COUNTRY REGULATIONS AS DESCRIBED IN GS-22-008.
5. DATE CODE "MMDDYYL", MMDDYY IS ASSEMBLY DATE.  
L IS AFCI PRODUCTION SITE.
6. THIS PRODUCT MEETS EUROPEAN UNION DIRECTIVES AND OTHER COUNTRY REGULATIONS AS DESCRIBED IN GS-47-004.
7. THE HOUSING WILL WITHSTAND EXPOSURE TO 260° PEAK TEMPERATURE FOR 10 SECONDS IN A CONVECTION, INFRA-RED OR VAPOR PHASE REFLOW OVEN.

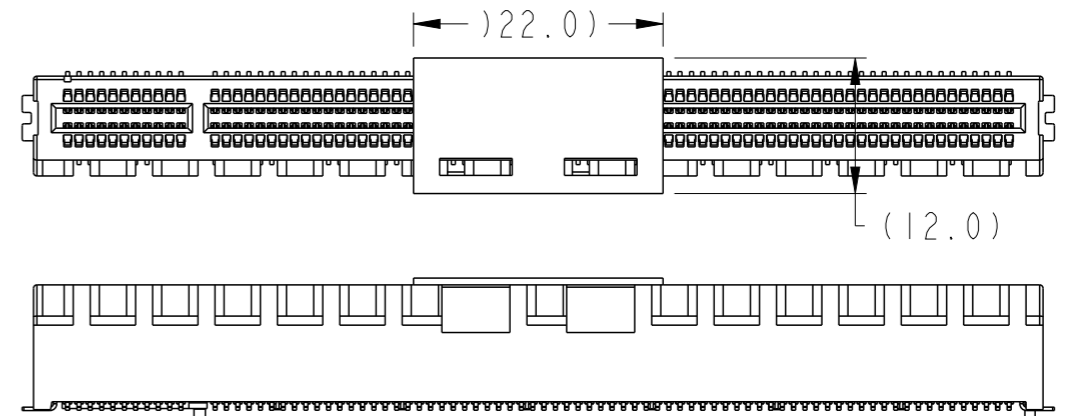


DATA CODE & PARTNO

POSITION OF KAPTON TAPE



POSITION OF PICK UP CAP



Amphenol FCI

© 2016 AFCI

spec ref -		dr	Matthew Cheong	2016/05/06	projection	MM	size	A3	scale	2:1
tolerance std		eng	Matthew Cheong	2018/04/05			ecn no		ELX-S-29469-1	
ISO 406 ISO 1101		chr	-	-			rel level		Released	
surface		appr	Koon-Poh Tay	2018/04/10	product family		PCI express		rev	
ISO 1302	linear	0.X		±0.30	Amphenol FCI PCI Express 4.0 SMT Type		dwg no 10128241		rev C	
		0.XX		±0.20						
0.XXX		±0.1								
ISO 1302	angular	0°		±2°	www.fci.com		cat. no.		Product - Customer Drw	

## X-ON Electronics

Largest Supplier of Electrical and Electronic Components

*Click to view similar products for [PCI Express/PCI Connectors](#) category:*

*Click to view products by [Amphenol](#) manufacturer:*

Other Similar products are found below :

[UEX220-6U](#) [10039755-10110TLF](#) [1-1871239-2](#) [2170560-2](#) [10125756-980000LF](#) [EB220-3U](#) [WD2M144WB2R300](#) [10061913-120PLF](#)  
[GPCP146400111HR](#) [GPCP442628110HR](#) [GPCP446200120HR](#) [GPCP245400111HR](#) [10082378-10000TLF](#) [87715-9256](#) [MDT580M03001](#)  
[0877159107](#) [MDT580M01001](#) [10018783-11000MLF](#) [10018783-11101TLF](#) [10108777-10000ALF](#) [10141523-111T0LF](#) [10145445-10003MLF](#)  
[PSASF2130311TR](#) [PSASF3130411TR](#) [PSASF3130131TR](#) [7-1734774-7](#) [3-1761465-1](#) [10039755-10111TLF](#) [10039755-10112TLF](#) [10018783-](#)  
[10211TLF](#) [10018784-10211TLF](#) [10018784-10212TLF](#) [1761465-2](#) [1871058-1](#) [5-1761465-4](#) [10018783-10200MLF](#) [10018783-10213TLF](#)  
[10018784-10210TLF](#) [10018784-11113TLF](#) [10025026-10001TLF](#) [5145154-8](#) [1871058-4](#) [2041119-2](#) [10018783-10212TLF](#) [10018784-](#)  
[10102TLF](#) [10018783-11200TLF](#) [10123371-001TRLF](#) [10018784-10110TLF](#) [6-1734774-7](#) [6-1734774-9](#)