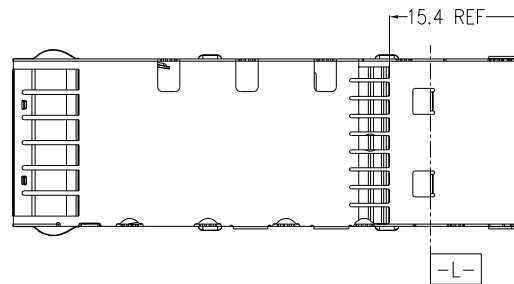
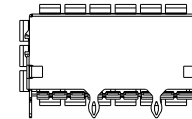
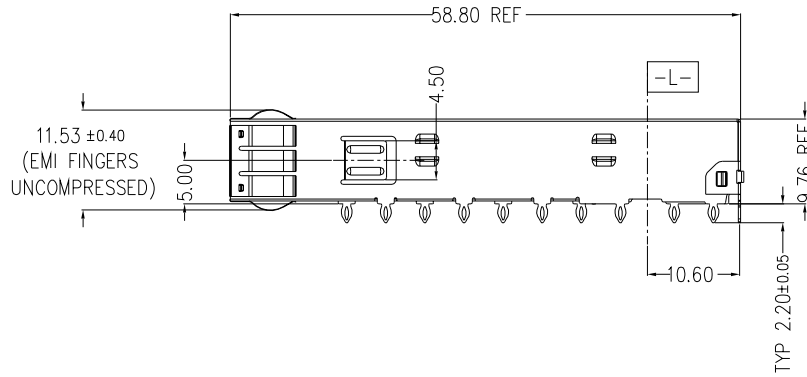
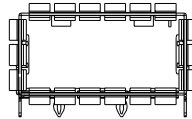
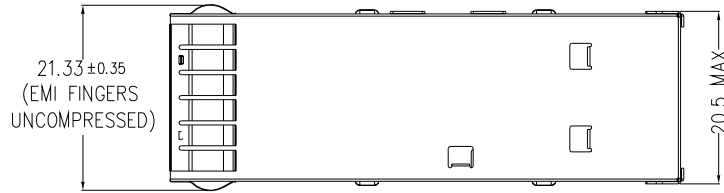
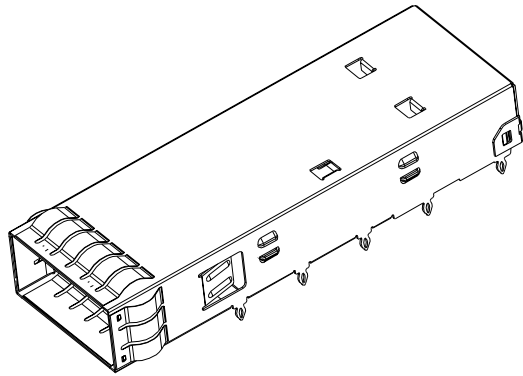


10128765-001LF



Copyright FCI.

NOTE:

1,	DESCRIPTION	Q'ty	MATERIAL	PLATING
01	QSFP CAGE	1PCS	COPPER ALLOY	NI Plated
02	EMI FINGERS	4PCS	COPPER ALLOY	NI FOR ALL

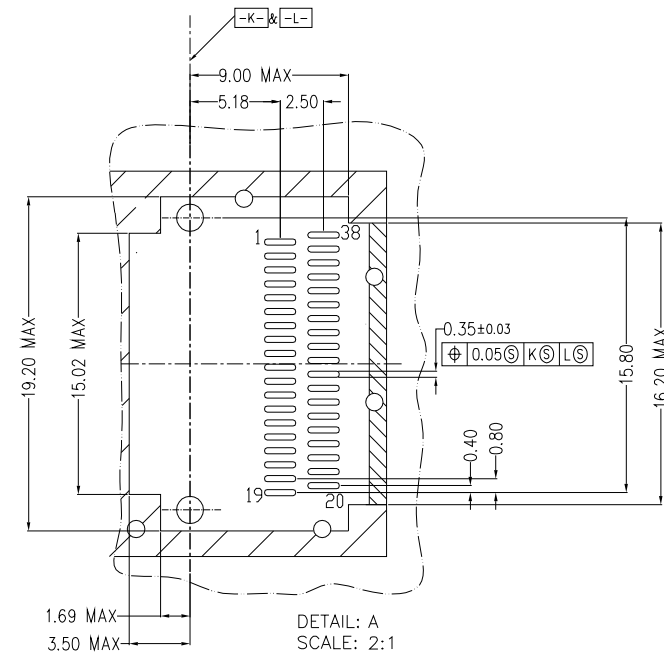
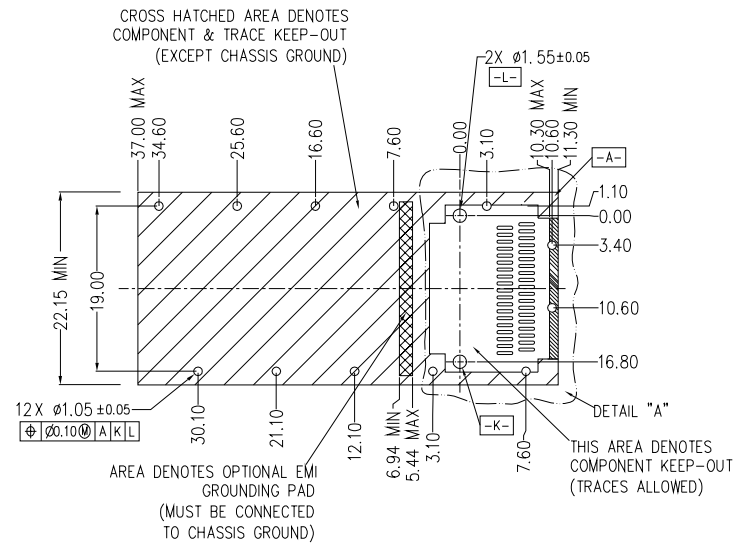
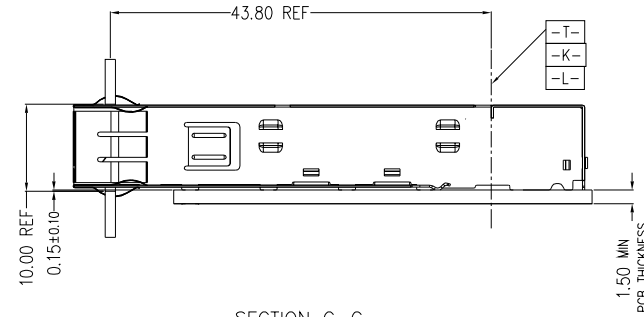
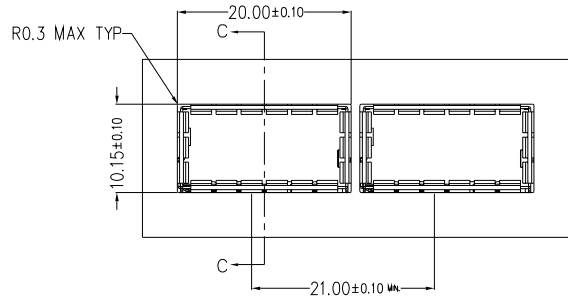
2, TEMPERATURE:
 OPERATION: -40°C~+85°C
 STORAGE: -55°C~+105°C

rev	ecn no	dr	date
A		Jason	05/20/2014
B		Jason	10/16/2014

www.fciconnect.com		surface - ✓	tolerance std -	projection	MM		
		TOLERANCES UNLESS OTHERWISE SPECIFIED					
Dr	LinA	2014-10-30	0.X ± 0.25			size A3	Scale NTS
Eng	LinA	2014-10-30	0.XX ± 0.20				
Chr	-		0° ± 0.5°	0.XXX ± 0.10	ECN elx-dg-19247-1		
Appr	Collins Lu	2014-10-30	Product family		Spec ref -		
		title QSFP+ 1*1 CAGE		dwg no 10128765	Rev. C		
catalog no		-		CUSTOMER	sheet 1 of 3		

REV F - 2006-04-17

PCB LAYOUT FOR SINGLE SIDED APPLICATION



NOTES:

1. SEE QSFP MSA SPECIFICATION FOR BEZEL LOCATION TOLERANCE
2. DATUM -A- IS TIP SURFACE OF HOST BOARD PER MSA
3. FINISHED HOLE SIZE (AFTER PLATING)
4. DATUM -K- IS HOST BOARD THRE HOLE #1 TO ACCEPT CONNECTOR GUIDE POST PER MSA
5. DATUM -L- IS HOST BOARD THRE HOLE #2 TO ACCEPT CONNECTOR GUIDE POST PER MSA
6. DATUM -T- IS HARD STOP ON CAGE PER MSA

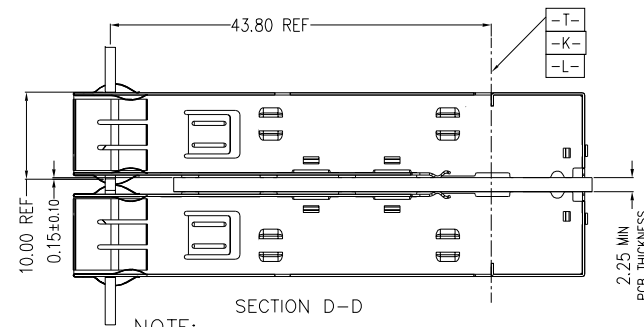
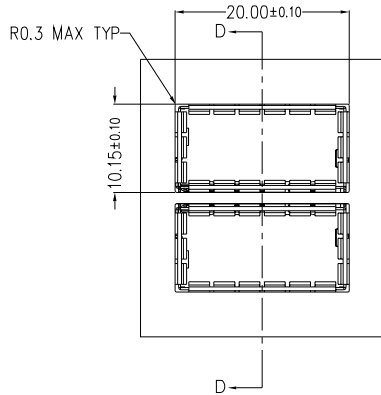


Copyright FCI.

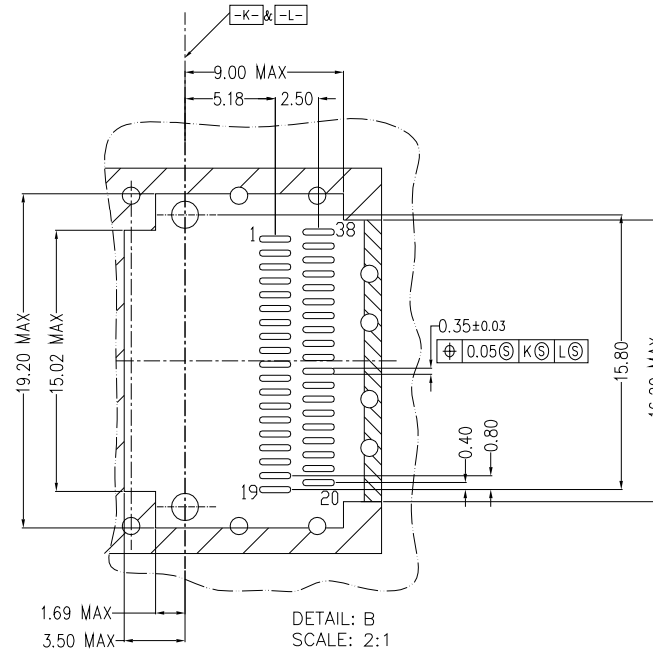
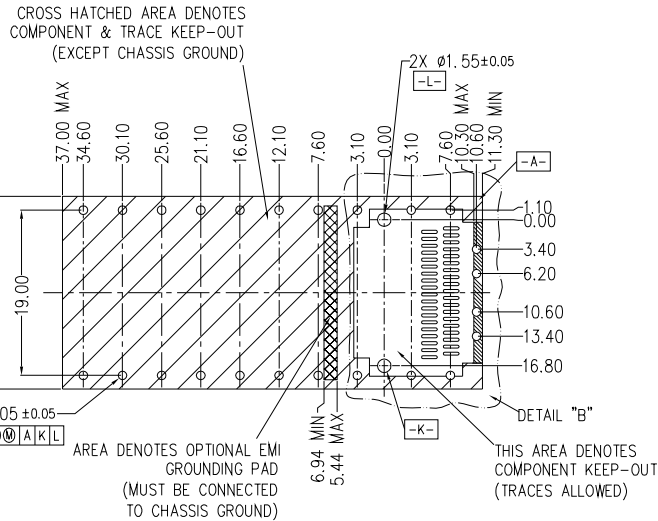
www.fciconnect.com		surface - ✓	tolerance std -	projection -	MM
		TOLERANCES UNLESS OTHERWISE SPECIFIED		← →	
Dr	LinA	2014-10-30	ANGULAR	0.X ±0.25	size A3
Eng	LinA	2014-10-30	LINEAR	0.XX ±0.20	Scale NTS
Chr	-		0° ±0.5°	0.XXX ±0.10	ECN elx-dg-19247-1
Appr	Collins Lu	2014-10-30	Product family	Spec ref	-
FCI title QSFP+ 1*1 CAGE		dwg no 10128765		Rev. C	
catalog no -		CUSTOMER		sheet 2 of 3	

REV F - 2006/04/17

PCB LAYOUT FOR BELLY TO BELLY APPLICATION



NOTE:
BEZEL CUTOUT LOCATIONS FOR BELLY TO BELLY APPLICATIONS
ARE DEPENDENT ON PCB THICKNESS



NOTES:

1. SEE QSFP MSA SPECIFICATION FOR BEZEL LOCATION TOLERANCE
2. DATUM -A- IS TIP SURFACE OF HOST BOARD PER MSA
3. FINISHED HOLE SIZE (AFTER PLATING)
4. DATUM -K- IS HOST BOARD THRE HOLE #1 TO ACCEPT CONNECTOR GUIDE POST PER MSA
5. DATUM -L- IS HOST BOARD THRE HOLE #2 TO ACCEPT CONNECTOR GUIDE POST PER MSA
6. DATUM -T- IS HARD STOP ON CAGE PER MSA



Copyright FCI.

www.fciconnect.com		surface - ✓	tolerance std -	projection -	MM
		TOLERANCES UNLESS OTHERWISE SPECIFIED		⊕	← →
Dr	LinA	2014-10-30	ANGULAR	0.X ±0.25	size A3
Eng	LinA	2014-10-30	LINEAR	0.XX ±0.20	Scale NTS
Chr	-		0° ±0.5°	0.XXX ±0.10	ECN elx-dg-19247-1
Appr	Collins Lu	2014-10-30	Product family	Spec ref	-
FCI		title QSFP+ 1*1 CAGE		dwg no 10128765	
catalog no		-		CUSTOMER	sheet 3 of 3

REV F - 2006-04-17

X-ON Electronics

Largest Supplier of Electrical and Electronic Components

Click to view similar products for [I/O Connectors](#) category:

Click to view products by [Amphenol](#) manufacturer:

Other Similar products are found below :

[571763P](#) [58098-0628](#) [61-168618-12P](#) [D38999/20FJ29SB L/C](#) [72.250.1628.2](#) [72.250.2428.2](#) [74720-0505](#) [747680210](#) [76.350.0729.0](#) [76871-1403](#) [FCN-244F080-G/1](#) [FCN-260A9920](#) [FCN-268D024-G/2F#10X-R10](#) [MP-5T180MUNNA-005](#) [MP-5XRJ45UNNB-003](#) [PCS-E50FA](#) [PCS-XE26LKA](#) [PCS-XE26MA+](#) [PCS-XES68MS+](#) [G38A71314B](#) [91-569719-35R](#) [9776-18-6](#) [DX40-50P\(55\)](#) [1571250010](#) [157-22500-3](#) [MS3471L14-19P L/C](#) [171224-6031](#) [1888020-8](#) [91-569786-35H](#) [91-569786-35M](#) [91-644626-35P](#) [172501-4002](#) [172501-6002](#) [FCN-260C008-A/L0](#) [FCN-260C024-AL0](#) [FCN-268D008-G/1K](#) [2000314-1](#) [200331-1](#) [2007498-2](#) [PCR-E28LMDAG1+](#) [PCR-E36FC+](#) [PCS-E28FS+](#) [PCS-XE26SLFD+](#) [PCS-XE26SLFDT+](#) [G38A71214B](#) [HDRA-E68W1LFDTC-SL+](#) [HDR-E14MSG1+](#) [R88A-CNK81S](#) [CRT1-ATT02](#) [54182-0605](#)