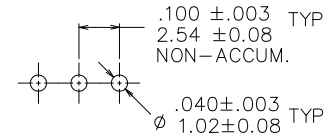


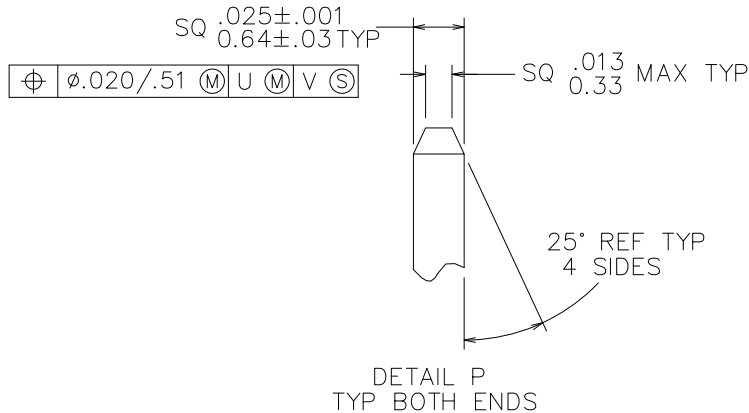
PRODUCT NUMBER

10129378 - X YY XXX X LF

- LEAD FREE OPTION (SEE NOTES 7)
- PACKAGING OPTIONS (SEE NOTE 3)
- INDICATES DIFFERENT MATING LENGTH TAIL LENGTH AND OTHER OPTIONS (SEE TABLE IN SHEET 2)
- NO OF POSITIONS (SEE NOTE 2)
- PIN PLATING (SEE SHEET 2)
- BASE PART NO.



RECOMMENDED HOLE PATTERN



mat'l. code SEE NOTE 2		surface ISO 1302 ✓		tolerance ISO 406 ISO 1101		projection 		product family ECONOSTIK	
ltr	ecn no	dr	date	tolerances unless otherwise specified		INCH/mm		title	
A	NEW	ZK	04/23/14	angles	linear	.xxx±0.01/.X±0.3		ECONOSTIK HEADER	
B	ELX-N-18529	ZK	08/14/14			.xxx±0.008/.xx±0.20		.100/2.54cc SR STRAIGHT	
C	ELX-N-29171	MZ	01/29/18	X'±2'		.xxxx±0.0040/.xxx±0.100		scale 1:1	
D	ELX-N-45076	MKX	06/17/22	dr	ZK HU	04/23/14		dwg no sheet 1 of 2 size	
				enr	MKX	06/17/22		10129378 A4	
				chr	LQ LEI	06/17/22		type Product Customer Drawing	
				appd	TIM YAO	06/17/22			
sheet index	revision sheet	D	D						
		1	2						

PRODUCT NUMBER	TOTAL PIN LENGTH		TAIL LENGTH		MATING LENGTH	
	DIM F	DIM F	DIM G	DIM G	DIM H	DIM H
	ENGLISH	METRIC	ENGLISH	METRIC	ENGLISH	METRIC
10129378-XYY001XLF	0.450	11.43	0.120	3.05	0.230	5.84
10129378-XYY002XLF	0.420	10.67	0.090	2.29	0.230	5.84
10129378-XYY003XLF	0.538	13.67	0.120	3.05	0.318	8.08
10129378-XYY004XLF	0.508	12.91	0.090	2.29	0.318	8.08
10129378-XYY005XLF	0.591	15.00	0.118	3.00	0.372	9.46

PIN PLATING CODES:	
10129378-9YYXXXLF	GOLD FLASH PLATING OVER 50u"/1.27u MIN Ni

NOTES:

- MATERIAL  
BODAY MATERIAL: HIGH TEMPERATURE THERMOPLASTIC.  
FLAME UL94-V0, BLACK.  
PIN MATERIAL: COPPER ALLOY.
- ANY NUMBER OF POSITIONS N FROM 1 TO 36,  
PRODUCT MAYBE CUTTING TO POSITION,  
THE CUTTING PLASH IS 0.02[0.51] MAX.
- PACKING STYLE DEFINITION.  
B: PACKED WITH POLY BAG  
T: PACKED WITH TUBE  
A: PACKED WITH TAPE AND REEL WITH PICK UP CAP  
C: PACKED WITH TAPE AND REEL WITHOUT PICK UP CAP
- TWO SIDES OF PIN TIPS NOT PLATED, TYPICAL BOTH ENDS.
- 2LBS/0.9KG MIN PIN RETENTION IN EITHER DIRECTION BEFORE REFLOW.
- THE OAL DON'T EXCEED 1 INCH / 25.4MM.
- ADD LF AT THE END OF PART NUMBER IS FOR LEAD FREE.
- THESE PRODUCT MEETS EUROPEAN UNION DIRECTIVES AND OTHER COUNTRY REGULATION AS DESCRIBED IN GS-22-008.
- PRODUCT SPECIFICATION: GS-12-1223.
- THIS PRODUCT WILL WITHSTAND EXPOSURE TO 260°C PEAK TEMPERATURE FOR 20 SECONDS IN WAVE SOLDER, INFRA-RED OR VAPOR PHASE SOLDER PROCESS.

mat'l. code SEE NOTE 2		surface ISO 1302 ✓		tolerance ISO 406 ISO 1101		projection 		product family ECONOSTIK	
ltr	ecn	no	dr	date	tolerances unless otherwise specified		title		
D					angles	linear	INCH/mm		ECONOSTIK HEADER
					X'±2'	.xxx±0.01/.X±0.3 .xxx±0.008/.xx±0.20 .xxxx±0.0040/.xxxx±0.100	scale 1:1		.100/2.54cc SR STRAIGHT
					dr	ZK HU	04/23/14	Amphenol FCI	dwg no
					enr	MKX	06/17/22		sheet 2 of 2
					chr	LQ LEI	06/17/22		10129378
					appd	TIM YAO	06/17/22		A4
sheet index	revision sheet								type Product Customer Drawing

## X-ON Electronics

Largest Supplier of Electrical and Electronic Components

*Click to view similar products for [Headers & Wire Housings](#) category:*

*Click to view products by [Amphenol](#) manufacturer:*

Other Similar products are found below :

[57102-F02-18ULF](#) [58102-G61-06LF](#) [582553-1](#) [009176003701906](#) [01.001.5753.1](#) [0050291907](#) [02.125.8002.8](#) [609-3404](#) [61062-3](#)  
[CSU011177004](#) [622-0430](#) [622-3653LF](#) [63453-116](#) [636-1030](#) [636-1427](#) [636-3427](#) [636-4007](#) [641938-9](#) [644827-2](#) [65495-038](#) [65692-001LF](#)  
[65781-018](#) [65781-047](#) [65817-010LF](#) [65817-015LF](#) [66207-023LF](#) [67095-007LF](#) [68631-112](#) [68645-018](#) [699319-000](#) [M90C108951C](#)  
[70.362.1628.0](#) [70-4210](#) [70-4226B](#) [70-4853B](#) [707-5020](#) [707-5028](#) [71.350.2428.0](#) [71961-016LF](#) [733-134](#) [754199-000](#) [760-3052](#)  
[80.063.4001.1](#) [800-90-001-10-001000](#) [801-43-002-10-013000](#) [801-43-006-10-002000](#) [803-41-018-10-001000](#) [803-43-014-20-001000](#)  
[803-43-024-10-001000](#) [803-93-012-10-001000](#)