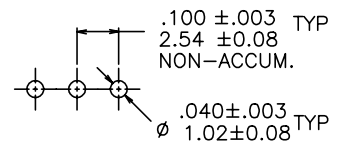
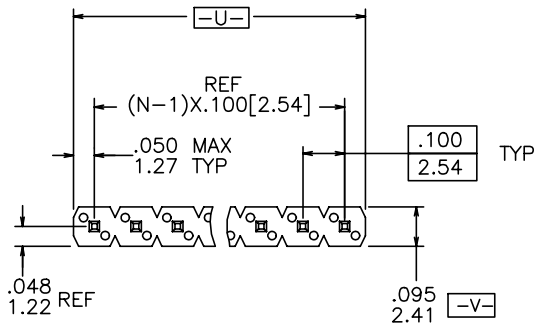


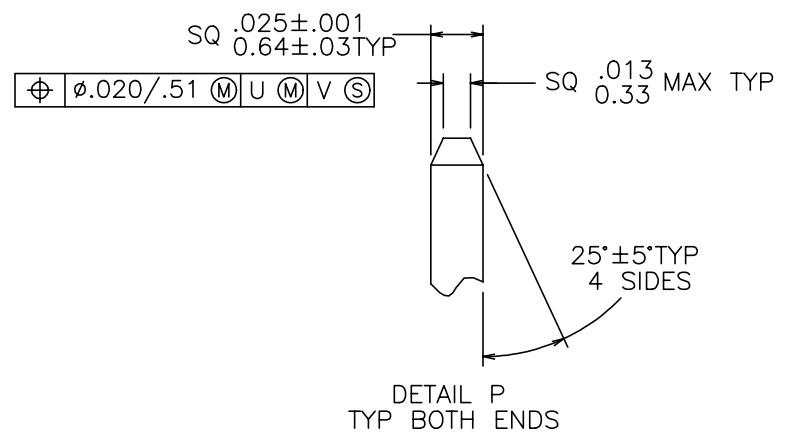
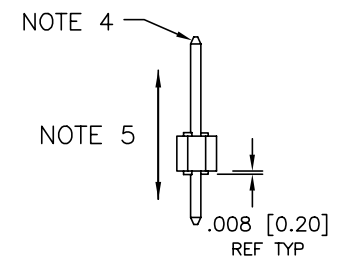
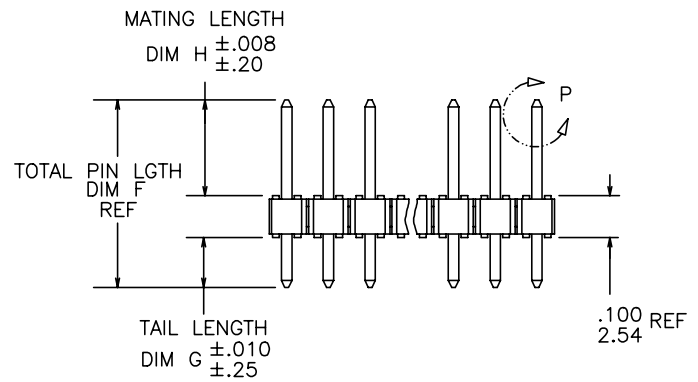
PRODUCT NUMBER

10129378 - X YY XXX X LF

- LEAD FREE OPTION (SEE NOTES 7)
- PACKAGING OPTIONS (SEE NOTE 3)
- INDICATES DIFFERENT MATING LENGTH TAIL LENGTH AND OTHER OPTIONS (SEE TABLE IN SHEET 2)
- NO OF POSITIONS (SEE NOTE 2)
- PIN PLATING (SEE SHEET 2)
- BASE PART NO.



RECOMMENDED HOLE PATTERN



Φ .020/.51 (M) U (M) V (S)

mat'l. code SEE NOTES 1		surface ISO 1302 ✓		tolerance ISO 406 ISO 1101		projection INCH/MM		product family ECONOSTIK	
A NEW ZK 04/23/14		B ELX-N-18529 ZK 08/14/14		tolerances unless otherwise specified		scale 2:1		title ECONOSTIK HEADER .100/2.54cc SR STRAIGHT	
dr ZK HU 04/23/14		enrg ZK HU 04/23/14		chr RICK BIAN 04/23/14		appd RICK BIAN 04/23/14		dwg no 10129378	
sheet index		revision sheet		B B		1 2		sheet 1 of 2 size A3	



Copyright FCI
 FCIconnect.com

PRODUCT NUMBER	TOTAL PIN LENGTH		TAIL LENGTH		MATING LENGTH	
	DIM F	DIM F	DIM G	DIM G	DIM H	DIM H
	ENGLISH	METRIC	ENGLISH	METRIC	ENGLISH	METRIC
10129378-XY001XLF	0.450	11.43	0.120	3.05	0.230	5.84
10129378-XY002XLF	0.420	10.67	0.090	2.29	0.230	5.84
10129378-XY003XLF	0.538	13.67	0.120	3.05	0.318	8.08
10129378-XY004XLF	0.508	12.91	0.090	2.29	0.318	8.08

PIN PLATING CODES:	
10129378-9YYXXXXLF	1u"/0.025u MIN Au OVER 50u"/1.27u MIN Ni

NOTES:

1. MATERIAL

BODAY MATERIAL: HIGH TEMPERATURE THERMOPLASTIC.
 FLAME UL94-V0, BLACK.
 PIN MATERIAL: COPPER ALLOY.

2. ANY NUMBER OF POSITIONS N FROM 1 TO 36,
 PRODUCT MAYBE CUTTING TO POSITION,
 THE CUTTING PLASH IS 0.02[0.51] MAX.

3. PACKING STYLE DEFINITION.

B: PACKED WITH POLY BAG
 T: PACKED WITH TUBE
 A: PACKED WITH TAPE AND REEL WITH PICK UP CAP
 C: PACKED WITH TAPE AND REEL WITHOUT PICK UP CAP

4. TWO SIDES OF PIN TIPS NOT PLATED, TYPICAL BOTH ENDS.

5. 2LBS/0.9KG MIN PIN RETENTION IN EITHER DIRECTION BEFORE REFLOW.

6. THE OAL DON'T EXCEED 1 INCH / 25.4MM.

7. ADD LF AT THE END OF PART NUMBER IS FOR LEAD FREE.

8. THESE PRODUCT MEETS EUROPEAN UNION DIRECTIVES AND OTHER
 COUNTRY REGULATION AS DESCRIBED IN GS-22-008.

9. PRODUCT SPECIFICATION: GS-12-1223.

10. THIS PRODUCT WILL WITHSTAND EXPOSURE TO 260°C PEAK TEMPERATURE
 FOR 20 SECONDS IN WAVE SOLDER, INFRA-RED OR VAPOR PHASE SOLDER PROCESS.

mat'l. code SEE NOTES 1	surface ISO 1302 ✓	tolerance ISO 406 ISO 1101	projection 	product family ECONOSTIK
ltr ecn no dr date	tolerances unless otherwise specified			title ECONOSTIK HEADER
B	angles 0°±2'	linear XXX±.01/XX±0.3 XXX±.008/XX±0.20 XXX±.0040/XX±0.100	INCH/MM scale 2:1	.100/2.54cc SR STRAIGHT
dr	ZK HU	04/23/14		dwg no sheet 2 of 2 size 10129378 A3
engr	ZK HU	04/23/14		type Product Customer Drawing
chr	RICK BIAN	04/23/14		
appd	RICK BIAN	04/23/14		
sheet index	revision sheet			

X-ON Electronics

Largest Supplier of Electrical and Electronic Components

Click to view similar products for [Headers & Wire Housings](#) category:

Click to view products by [Amphenol](#) manufacturer:

Other Similar products are found below :

[892-18-020-10-001101](#) [58102-G61-06LF](#) [582553-1](#) [0009485154](#) [009176003701906](#) [0050291907](#) [LY20-4P-DT1-P1E-BR](#) [02.125.8002.8](#)
[609-3404](#) [61062-3](#) [622-0430](#) [622-3653LF](#) [63453-116](#) [636-1030](#) [636-1427](#) [636-3427](#) [636-4007](#) [641938-9](#) [641991-4](#) [644827-2](#) [65817-010LF](#)
[65817-015LF](#) [65863-015LF](#) [66207-023LF](#) [67095-007LF](#) [67601157](#) [68648-049](#) [70.362.1628.0](#) [70-4210](#) [70-4226B](#) [70-4853B](#) [707-5020](#) [707-](#)
[5028](#) [71.350.2428.0](#) [71918-208LF](#) [71961-016LF](#) [733-134](#) [733-162](#) [754199-000](#) [760-3052](#) [787-8014-00](#) [79531-3000](#) [FCN-360C032-B](#) [FCN-](#)
[367T-T012/H](#) [FCN-723D010/2](#) [80.063.4001.1](#) [800-90-001-10-001000](#) [800-90-010-10-002000](#) [801-43-002-10-013000](#) [801-43-006-10-002000](#)