

PRODUCT NUMBER

10129379 - X YY XXX X LF

LEAD FREE OPTION
(SEE NOTES 7)

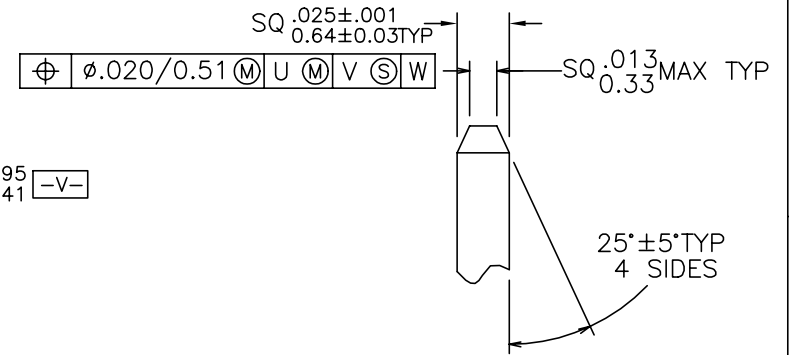
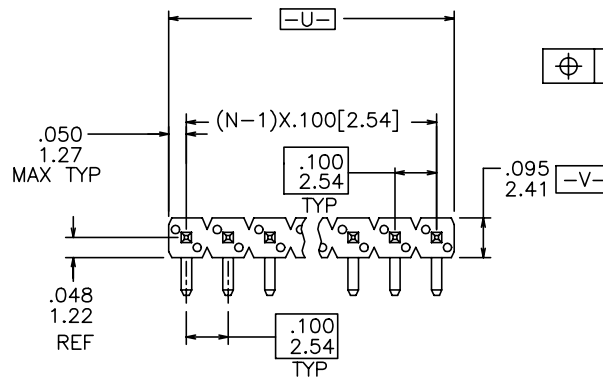
PACKAGING OPTIONS
(SEE NOTE 3)

INDICATES DIFFERENT MATING LENGTH
TAIL LENGTH AND OTHER OPTIONS
(SEE TABLE IN SHEET 2)

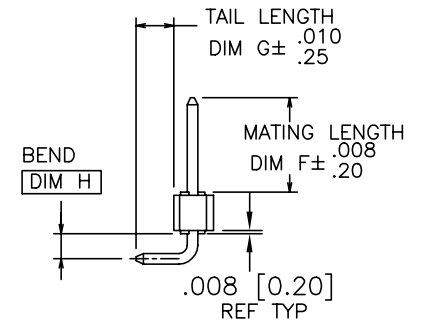
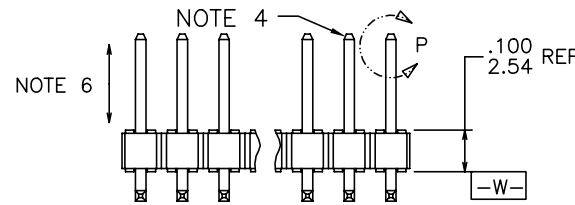
NO OF
POSITIONS
(SEE NOTE 2)

PIN PLATING
(SEE SHEET 2)

BASE PART NO.



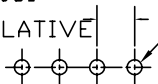
DETAIL P
TYP BOTH ENDS



.100±.003 [2.54±.08]
TYP. NON-ACCUMULATIVE

∅.040±.003 [1.02±.08]
TYP.

RECOMMENDED HOLE PATTERN



mat'l. code SEE NOTES 1		surface ISO 1302 ✓		tolerance ISO 406 ISO 1101		projection INCH/MM		product family ECONOSTIK	
A NEW ZK 04/23/14		B ELX-N-18529 ZK 08/14/14		tolerances unless otherwise specified		scale 2:1		title ECONOSTIK HEADER .100/2.54cc SR R/A	
				angles 0°±2'		linear XX±.01/XX±0.3 XXX±.008/XX±0.20 XXXX±.0040/XXX±0.100		dwg no 10129379	
				dr ZK HU 04/23/14		FCI		sheet 1 of 2 size A3	
				engr ZK HU 04/23/14				type Product Customer Drawing	
				chr RICK BIAN 04/23/14					
				appd RICK BIAN 04/23/14					
sheet index		revision sheet		B B					
1		1 2							

PRODUCT NUMBER	MATING LENGTH		TAIL LENGTH		BENDING DIMENSION	
	DIM F	DIM F	DIM G	DIM G	DIM H	DIM H
	ENGLISH	METRIC	ENGLISH	METRIC	ENGLISH	METRIC
10129379-XY001XLF	0.230	5.84	0.120	3.05	0.060	1.52
10129379-XY002XLF	0.230	5.84	0.090	2.29	0.060	1.52
10129379-XY003XLF	0.318	8.08	0.120	3.05	0.060	1.52
10129379-XY004XLF	0.318	8.08	0.090	2.29	0.060	1.52

PIN PLATING CODES:	
10129379-9YYXXXXLF	1u"/0.025u MIN Au OVER 50u"/1.27u MIN Ni

NOTES:

1. MATERIAL

BODAY MATERIAL: HIGH TEMPERATURE THERMOPLASTIC.
FLAME UL94-V0, BLACK.

PIN MATERIAL: COPPER ALLOY.

2. ANY NUMBER OF POSITIONS N FROM 1 TO 36.

PRODUCT MAYBE CUTTING TO POSITION,
THE CUTTING PLASH IS 0.02[0.51] MAX.

3. PACKING STYLE DEFINITION.

B: PACKED WITH POLY BAG

T: PACKED WITH TUBE

A: PACKED WITH TAPE AND REEL WITH PICK UP CAP

C: PACKED WITH TAPE AND REEL WITHOUT PICK UP CAP

4. TWO SIDES OF PIN TIPS NOT PLATED, TYPICAL BOTH ENDS.

5. 2LBS/0.9KG MIN PIN RETENTION IN EITHER DIRECTION BEFORE REFLOW.

6. THE OAL DON'T EXCEED 1 INCH / 25.4MM.

7. ADD LF AT THE END OF PART NUMBER IS FOR LEAD FREE.

8. THESE PRODUCT MEETS EUROPEAN UNION DIRECTIVES AND OTHER
COUNTRY REGULATION AS DESCRIBED IN GS-22-008.

9. PRODUCT SPECIFICATION: GS-12-1223.

10. THIS PRODUCT WILL WITHSTAND EXPOSURE TO 260°C PEAK TEMPERATURE
FOR 20 SECONDS IN WAVE SOLDER, INFRA-RED OR VAPOR PHASE SOLDER PROCESS.

mat'l. code SEE NOTES 1		surface ISO 1302 ✓	tolerance ISO 406 ISO 1101	projection 	product family ECONOSTIK
ltr	ecn	no	date	title ECONOSTIK HEADER .100/2.54cc SR R/A	
B				angles linear 0°±2°	tolerances unless otherwise specified XX±.01/XX±0.3 XXX±.008/XXX±0.20 XXXX±.0040/XXXX±0.100
				dr	ZK HU 04/23/14
				engr	ZK HU 04/23/14
				chr	RICK BIAN 04/23/14
				appd	RICK BIAN 04/23/14
sheet	revision				
index	sheet				
				scale 2:1	dwg no 10129379
					sheet 2 of 2 size A3
					type Product Customer Drawing

X-ON Electronics

Largest Supplier of Electrical and Electronic Components

Click to view similar products for [Headers & Wire Housings](#) category:

Click to view products by [Amphenol](#) manufacturer:

Other Similar products are found below :

[95000-104TRLF](#) [10135584-644402LF](#) [DF62W-EP2022PCA](#) [95000-106TRLF](#) [DF62W-2022SCA](#) [DF62W-EP2022PC](#) [2203348](#) [DF62W-2022SC](#) [1084018](#) [1029039](#) [1084017](#) [802-10-012-10-002000](#) [1112640](#) [1112639](#) [000-34000](#) [0009482033](#) [0009507031](#) [57102-S06-03LF](#) [57202-S52-04LF](#) [PCN6-15S-2.5E](#) [0039019024](#) [58102-G61-06LF](#) [582553-1](#) [0009485154](#) [0009508121](#) [0022285053](#) [0050291907](#) [018731A](#) [LY20-4P-DT1-P1E-BR](#) [02.125.8002.8](#) [60101931](#) [60598-1 \(Cut Strip\)](#) [M1625-3R/100](#) [61062-3](#) [61082-181009](#) [636-1427](#) [638009-1](#) [641938-9](#) [641991-4](#) [644168-1](#) [647662-1](#) [65039-019ELF](#) [65781-018](#) [65781-047](#) [65817-002LF](#) [65817-015LF](#) [65863-015LF](#) [66207-023LF](#) [67016-026LF](#) [67046-001LF](#)