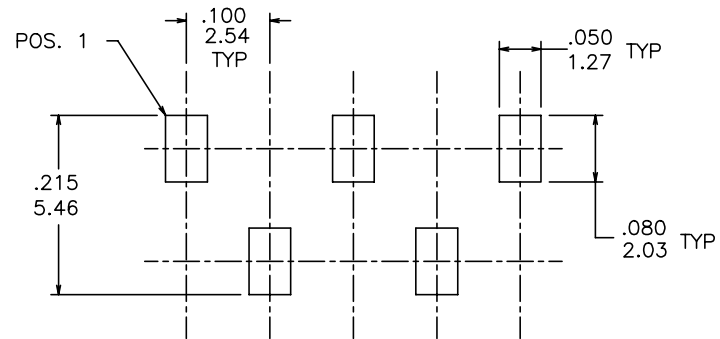
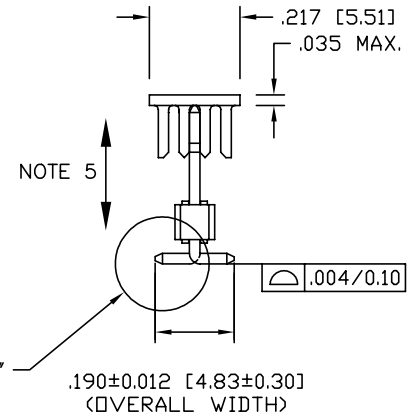
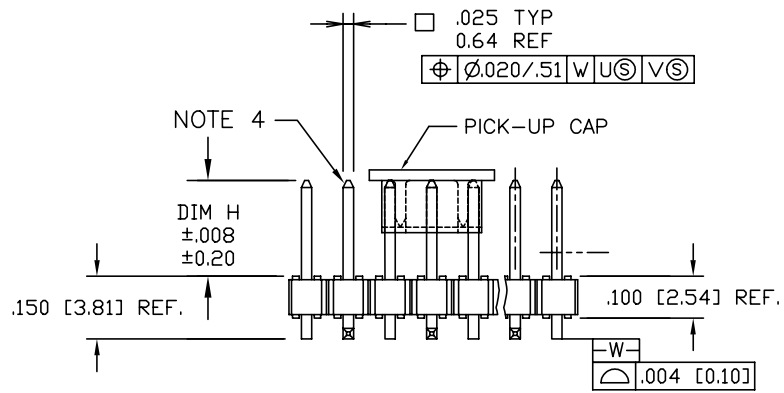
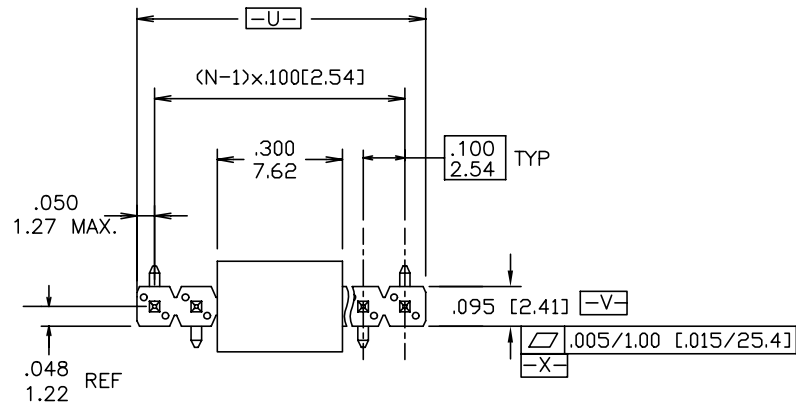


PRODUCT NUMBER

10129380 - X YY XXX X LF

- LEAD FREE OPTION (SEE NOTES 7)
- PACKAGING OPTIONS (SEE NOTE 3)
- INDICATES DIFFERENT MATING LENGTH TAIL LENGTH AND OTHER OPTIONS (SEE TABLE IN SHEET 2)
- NO OF POSITIONS (SEE NOTE 2)
- PIN PLATING (SEE SHEET 2)
- BASE PART NO.



RECOMMENDED PAD LAYOUT

mat'l. code SEE NOTES 1		surface ISO 1302 ✓	tolerance ISO 406 ISO 1101	projection INCH/MM	product family ECONOSTIK
ltr ecn noor date		tolerances unless otherwise specified		title	
A	NEW ZK 04/23/14	angles	linear	INCH/MM	ECONOSTIK HEADER
B	BLX-N-18529 ZK 08/14/14	0°±2'	XXXX±.008/XXX±0.20 XXXX±.0040/XXX±0.100	scale 2:1	.100/2.54cc SR SMT
dr	ZK HU 04/23/14	engr	ZK HU 04/23/14	dwg no	sheet 1 of 2 size
chr	RICK BIAN 04/23/14	appd	RICK BIAN 04/23/14	10129380	A3
type Product Customer Drawing					

sheet index	revision sheet	B 1	B 2																	
-------------	----------------	-----	-----	--	--	--	--	--	--	--	--	--	--	--	--	--	--	--	--	--



Copyright FCI

PRODUCT NUMBER	MATING LENGTH	
	DIM H	DIM H
	ENGLISH	METRIC
10129380-XY001XLF	0.230	5.84
10129380-XY002XLF	0.318	8.08

PIN PLATING CODES:	
10129380-9YYXXXXLF	1u"/0.025u MIN Au OVER 50u"/1.27u MIN Ni

NOTES:

- MATERIAL  
 BODAY MATERIAL: HIGH TEMPERATURE THERMOPLASTIC.  
 FLAME UL94-V0, BLACK.  
 PIN MATERIAL: COPPER ALLOY.
- ANY NUMBER OF POSITIONS N FROM 2 TO 20.  
 PRODUCT MAYBE CUTTING TO POSITION,  
 THE CUTTING PLASH IS 0.02[0.51] MAX.
- PACKING STYLE DEFINITION.  
 B: PACKED WITH POLY BAG  
 T: PACKED WITH TUBE  
 A: PACKED WITH TAPE AND REEL WITH PICK UP CAP  
 C: PACKED WITH TAPE AND REEL WITHOUT PICK UP CAP
- TWO SIDES OF PIN TIPS NOT PLATED, TYPICAL BOTH ENDS.
- 2LBS/0.9KG MIN PIN RETENTION IN EITHER DIRECTION BEFORE REFLOW.
- THE OAL DON'T EXCEED 1 INCH / 25.4MM.
- ADD LF AT THE END OF PART NUMBER IS FOR LEAD FREE.
- THESE PRODUCT MEETS EUROPEAN UNION DIRECTIVES AND OTHER COUNTRY REGULATION AS DESCRIBED IN GS-22-008.
- THE PRODUCT WILL WITHSTAND EXPOSURE TO 260°C PEAK TEMPERATURE FOR 20 SECONDS IN A CONVECTION, INFRA-RED OR VAPOR PHASE REFLOW OVEN.
- PRODUCT SPECIFICATION: GS-12-1223.

mat'l. code SEE NOTES 1	surface ISO 1302 ✓	tolerance ISO 406 ISO 1101	projection 	product family ECONOSTIK
ltr/ecn no/dt	tolerances unless otherwise specified			title ECONOSTIK HEADER .100/2.54cc SR SMT
B	angles 0°±2°	linear XX±.01/XX±0.3 XXX±.008/XXX±0.20 XXXX±.0040/XXXX±0.100	INCH/MM scale 2:1	dwg no 10129380
	dr ZK HU	04/23/14		sheet 2 of 2 size A3
	engr ZK HU	04/23/14		type Product Customer Drawing
	chr RICK BIAN	04/23/14		
	appd RICK BIAN	04/23/14		
sheet index	revision sheet			

## X-ON Electronics

Largest Supplier of Electrical and Electronic Components

*Click to view similar products for [Headers & Wire Housings](#) category:*

*Click to view products by [Amphenol](#) manufacturer:*

Other Similar products are found below :

[892-18-020-10-001101](#) [58102-G61-06LF](#) [582553-1](#) [0009485154](#) [009176003701906](#) [0050291907](#) [LY20-4P-DT1-P1E-BR](#) [02.125.8002.8](#)  
[609-3404](#) [61062-3](#) [622-0430](#) [622-3653LF](#) [63453-116](#) [636-1030](#) [636-1427](#) [636-3427](#) [636-4007](#) [641938-9](#) [641991-4](#) [644827-2](#) [65817-010LF](#)  
[65817-015LF](#) [65863-015LF](#) [66207-023LF](#) [67095-007LF](#) [67601157](#) [68648-049](#) [70.362.1628.0](#) [70-4210](#) [70-4226B](#) [70-4853B](#) [707-5020](#) [707-5028](#) [71.350.2428.0](#) [71918-208LF](#) [71961-016LF](#) [733-134](#) [733-162](#) [754199-000](#) [760-3052](#) [787-8014-00](#) [79531-3000](#) [FCN-360C032-B](#) [FCN-367T-T012/H](#) [FCN-723D010/2](#) [80.063.4001.1](#) [800-90-001-10-001000](#) [800-90-010-10-002000](#) [801-43-002-10-013000](#) [801-43-006-10-002000](#)