

PRODUCT NUMBER

10129381 - X YY XXX X LF

LEAD FREE OPTION
(SEE NOTES 7)

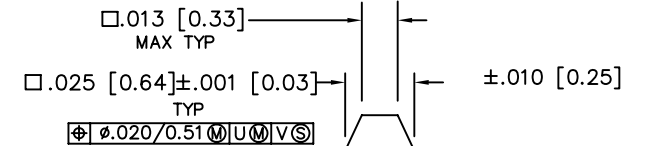
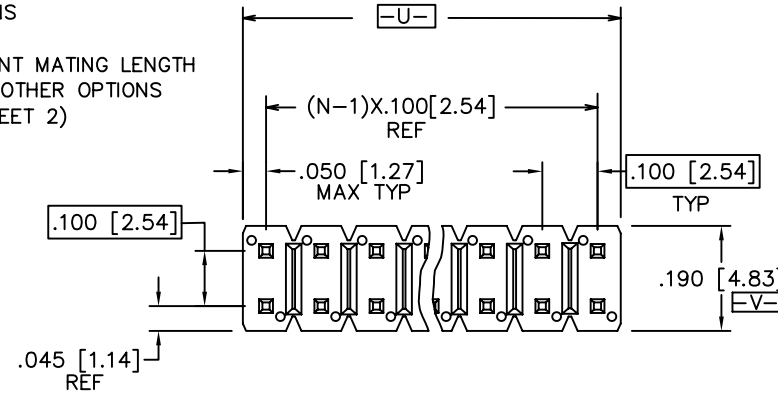
PACKAGING OPTIONS
(SEE NOTE 3)

INDICATES DIFFERENT MATING LENGTH
TAIL LENGTH AND OTHER OPTIONS
(SEE TABLE IN SHEET 2)

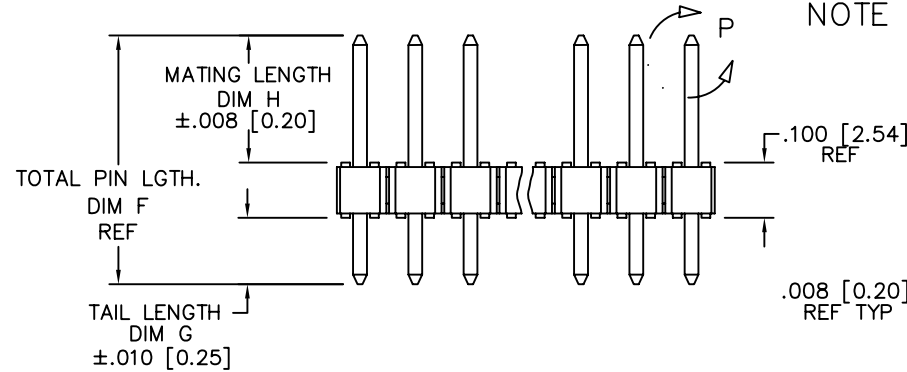
NO. OF
POSITIONS
(SEE NOTE 2)

PIN PLATING
(SEE SHEET 2)

BASE PART NO.

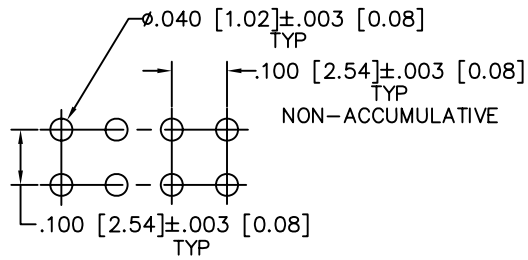


DETAIL P
SCALE 5:1
TYP BOTH ENDS



NOTE 4

NOTE 6



RECOMMENDED HOLE PATTERN

mat'l. code SEE NOTES 1		surface ISO 1302 ✓		tolerance ISO 406 ISO 1101		projection INCH/MM		product family ECONOSTIK	
ltr	ecm	no	dr	date		tolerances unless otherwise specified		title	
A	NEW	ZK	04/23/14	angles	linear	.XX±.01/XX±0.3	scale 2:1	ECONOSTIK HEADER	
B	ELX-N-18529	ZK	08/14/14			.XXX±.008/XXX±0.20		.100/2.54cc DR STRAIGHT	
C	ELX-N-18529	J.H	02/12/15	0°±2'		.XXX±.0040/XXX±0.100		dwg no sheet 1 of 2 size	
				dr	ZK HU	04/23/14	10129381 A3		
				enr	ZK HU	04/23/14	type Product Customer Drawing		
				chr	RICK BIAN	04/23/14			
				app	RICK BIAN	04/23/14			
sheet index	revision	C	C						
	sheet	1	2						

PRODUCT NUMBER	TOTAL PIN LENGTH		TAIL LENGTH		MATING LENGTH		PIN PLATING CODES:	
	DIM F	DIM F	DIM G	DIM G	DIM H	DIM H	10129381-9YYXXXLF	1u"/0.025u MIN Au OVER 50u"/1.27u MIN Ni
	ENGLISH	METRIC	ENGLISH	METRIC	ENGLISH	METRIC		
10129381-XYY001XLF	0.450	11.43	0.120	3.05	0.230	5.84		
10129381-XYY002XLF	0.420	10.67	0.090	2.29	0.230	5.84		
10129381-XYY003XLF	0.538	13.67	0.120	3.05	0.318	8.08		
10129381-XYY004XLF	0.508	12.91	0.090	2.29	0.318	8.08		
10129381-XYY005XLF	0.966	24.54	0.354	9.00	0.512	13.00		

NOTES:

- MATERIAL
 BODAY MATERIAL: HIGH TEMPERATURE THERMOPLASTIC.
 FLAME UL94-V0, BLACK.
 PIN MATERIAL: COPPER ALLOY.
- ANY NUMBER OF POSITIONS FROM 4(2X2) TO 72(2X36).
 N=NO. OF POSITION/2
 PRODUCT MAYBE CUTTING TO POSITION,
 THE CUTTING PLASH IS 0.02[0.51] MAX.
- PACKING STYLE DEFINITION.
 B: PACKED WITH POLY BAG
 T: PACKED WITH TUBE
 A: PACKED WITH TAPE AND REEL WITH PICK UP CAP
 C: PACKED WITH TAPE AND REEL WITHOUT PICK UP CAP
- TWO SIDES OF PIN TIPS NOT PLATED, TYPICAL BOTH ENDS.
- 2LBS/0.9KG MIN PIN RETENTION IN EITHER DIRECTION BEFORE REFLOW.
- THE OAL DON'T EXCEED 1 INCH / 25.4MM.
- ADD LF AT THE END OF PART NUMBER IS FOR LEAD FREE.
- THESE PRODUCT MEETS EUROPEAN UNION DIRECTIVES AND OTHER COUNTRY REGULATION AS DESCRIBED IN GS-22-008.
- PRODUCT SPECIFICATION: GS-12-1223.
- THIS PRODUCT WILL WITHSTAND EXPOSURE TO 260°C PEAK TEMPERATURE FOR 20 SECONDS IN WAVE SOLDER, INFRA-RED OR VAPOR PHASE SOLDER PROCESS.



mat'l. code SEE NOTES 1		surface ISO 1302 ✓	tolerance ISO 406 ISO 1101	projection 	product family ECONOSTIK
ltr	ecn	no	dr	date	tolerances unless otherwise specified
c					angles linear
					0±2'
					dr ZK HU 04/23/14
					enr ZK HU 04/23/14
					chr RICK BIAN 04/23/14
					appd RICK BIAN 04/23/14
sheet index	revision sheet				

INCH/MM
 scale 2:1
 title
 ECONOSTIK HEADER
 .100/2.54cc DR STRAIGHT
 dwg no 10129381 sheet 2 of 2 size A3
 type Product Customer Drawing

X-ON Electronics

Largest Supplier of Electrical and Electronic Components

Click to view similar products for [Headers & Wire Housings](#) category:

Click to view products by [Amphenol](#) manufacturer:

Other Similar products are found below :

[892-18-020-10-001101](#) [58102-G61-06LF](#) [582553-1](#) [0009485154](#) [009176003701906](#) [0050291907](#) [LY20-4P-DT1-P1E-BR](#) [02.125.8002.8](#)
[609-3404](#) [61062-3](#) [622-0430](#) [622-3653LF](#) [63453-116](#) [636-1030](#) [636-1427](#) [636-3427](#) [636-4007](#) [641938-9](#) [641991-4](#) [644827-2](#) [65817-010LF](#)
[65817-015LF](#) [65863-015LF](#) [66207-023LF](#) [67095-007LF](#) [67601157](#) [68648-049](#) [70.362.1628.0](#) [70-4210](#) [70-4226B](#) [70-4853B](#) [707-5020](#) [707-](#)
[5028](#) [71.350.2428.0](#) [71918-208LF](#) [71961-016LF](#) [733-134](#) [733-162](#) [754199-000](#) [760-3052](#) [787-8014-00](#) [79531-3000](#) [FCN-360C032-B](#) [FCN-](#)
[367T-T012/H](#) [FCN-723D010/2](#) [80.063.4001.1](#) [800-90-001-10-001000](#) [800-90-010-10-002000](#) [801-43-002-10-013000](#) [801-43-006-10-002000](#)