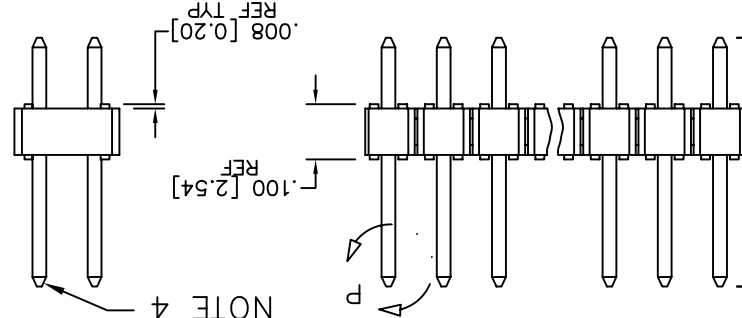
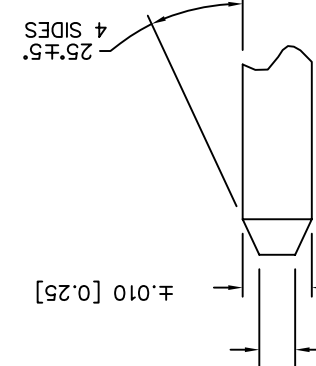


PRODUCT NUMBER 10129381 - X YX X YX X LF
 LEAD FREE OPTION (SEE NOTES 7)
 PACKAGING OPTIONS (SEE NOTE 3)
 INDICATES DIFFERENT MATING LENGTH (SEE TABLE IN SHEET 2)
 TAIL LENGTH AND OTHER OPTIONS (SEE NOTE 2)
 NO OF POSITIONS (SEE NOTE 2)
 PIN PLATING (SEE SHEET 2)
 BASE PART NO.



NOTE 4
 DETAIL P
 SCALE 5:1
 TYP BOTH ENDS



mat'l. code		SEE NOTES 1		surface	ISO 1302	tolerance	ISO 406	ISO 1101	projection	product family	ECONOSTIK	
ltr	ecm no	dr	date	tolerances unless otherwise specified					title	ECONOSTIK HEADER		
A	NEW	ZK	04/23/14	angles	XXL01/XXL03	INCH/MM		ECONOSTIK HEADER				
B	BLX-N-18529	ZK	08/14/14	linear	XXXL008/XXXL020	scale 2:1		ECONOSTIK HEADER				
C	BLX-N-18529	JH	02/12/15	0 ±.2	XXXL000/XXXL100	scale 2:1		ECONOSTIK HEADER				
		dr	ZK HU	04/23/14	tolerance		ECONOSTIK					
		engr	ZK HU	04/23/14	tolerance		ECONOSTIK					
		chr	RICK BIAN	04/23/14	tolerance		ECONOSTIK					
		appd	RICK BIAN	04/23/14	tolerance		ECONOSTIK					
sheet	revision	C	C									
index	sheet	1	2									

10. THIS PRODUCT WILL WITHSTAND EXPOSURE TO 260°C PEAK TEMPERATURE FOR 20 SECONDS IN WAVE SOLDER, INFRA-RED OR VAPOR PHASE SOLDER PROCESS.

9. PRODUCT SPECIFICATION: GS-12-1223.

8. THESE PRODUCT MEETS EUROPEAN UNION DIRECTIVES AND OTHER COUNTRY REGULATION AS DESCRIBED IN GS-22-008.

7. ADD LF AT THE END OF PART NUMBER IS FOR LEAD FREE.

6. THE OAL DON'T EXCEED 1 INCH / 25.4MM.

5. 2LBS/0.9KG MIN PIN RETENTION IN EITHER DIRECTION BEFORE REFLOW.

4. TWO SIDES OF PIN TIPS NOT PLATED, TYPICAL BOTH ENDS.

A: PACKED WITH TAPE AND REEL WITH PICK UP CAP
 C: PACKED WITH TAPE AND REEL WITHOUT PICK UP CAP

T: PACKED WITH TUBE
 B: PACKED WITH POLY BAG

3. PACKING STYLE DEFINITION.

THE CUTTING PLASH IS 0.02[0.51] MAX.
 N=NO. OF POSITION/2
 PRODUCT MAYBE CUTTING TO POSITION,

2. ANY NUMBER OF POSITIONS FROM 4(2X2) TO 72(2X36).

PIN MATERIAL: COPPER ALLOY.
 FLAME UL94-V0, BLACK.
 BODAY MATERIAL: HIGH TEMPERATURE THERMOPLASTIC.

1. MATERIAL NOTES:

PRODUCT NUMBER	TOTAL PIN LENGTH			TAIL LENGTH			MATING LENGTH		
	DIM F	DIM F	DIM G	ENGLISH	METRIC	ENGLISH	METRIC	DIM H	DIM H
10129381-XY001XLF	0.450	11.43	0.120	3.05	0.230	5.84			
10129381-XY002XLF	0.420	10.67	0.090	2.29	0.230	5.84			
10129381-XY003XLF	0.538	13.67	0.120	3.05	0.318	8.08			
10129381-XY004XLF	0.508	12.91	0.090	2.29	0.318	8.08			
10129381-XY005XLF	0.966	24.54	0.354	9.00	0.512	13.00			

PIN PLATING CODES: 10129381-9YXXXXLF 1u"/0.025u MIN Au OVER 50u"/1.27u MIN Ni

mat'l. code	SEE NOTES 1	ISO 1302	surface	tolerance	ISO 406	projection	product family	ECONOSTIK
ltr	ecn no	dr	date	tolerances unless otherwise specified			title	ECONOSTIK HEADER
		angles		JXX4.01/YX4.03	INCH/MM			
		linear		JXXX.008/YXX4.20				
		0±.2°		JXXX.000/YXX4.100	scale 2:1			
		dr	ZK HU	04/23/14			dwg no	sheet 2 of 2 size
		engr	ZK HU	04/23/14				
		chr	RICK BIAN	04/23/14				
		appd	RICK BIAN	04/23/14				
sheet	revision						type	Product Customer Drawing
index	sheet							

X-ON Electronics

Largest Supplier of Electrical and Electronic Components

Click to view similar products for [Headers & Wire Housings](#) category:

Click to view products by [Amphenol](#) manufacturer:

Other Similar products are found below :

[95000-104TRLF](#) [10135584-644402LF](#) [DF62W-EP2022PCA](#) [95000-106TRLF](#) [DF62W-2022SCA](#) [DF62W-EP2022PC](#) [2203348](#) [DF62W-2022SC](#) [1084018](#) [1029039](#) [1084017](#) [802-10-012-10-002000](#) [1112640](#) [1112639](#) [891-007-9SS-BST1T](#) [000-34000](#) [0008550134](#) [0009482033](#) [0009507031](#) [57102-F02-18ULF](#) [57102-S06-03LF](#) [57202-S52-04LF](#) [PCN6-15S-2.5E](#) [0039019024](#) [58102-G61-06LF](#) [582553-1](#) [0009485154](#) [0009508121](#) [0022285053](#) [0050291907](#) [018731A](#) [LY20-4P-DT1-P1E-BR](#) [02.125.8002.8](#) [60101931](#) [60598-1 \(Cut Strip\)](#) [M1625-3R/100](#) [61062-3](#) [61082-181009](#) [CSU011177004](#) [636-1427](#) [638009-1](#) [641938-9](#) [641991-4](#) [644168-1](#) [644827-2](#) [647662-1](#) [65039-019ELF](#) [65692-001LF](#) [65781-018](#) [65781-047](#)