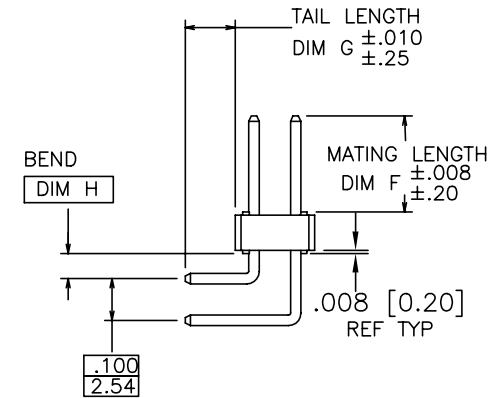
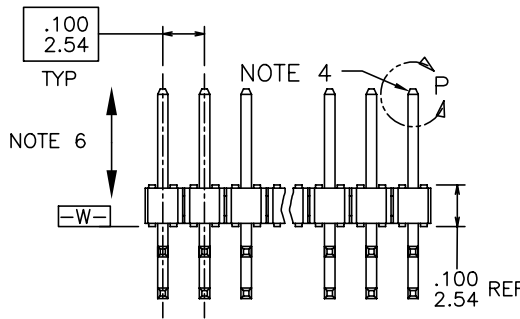
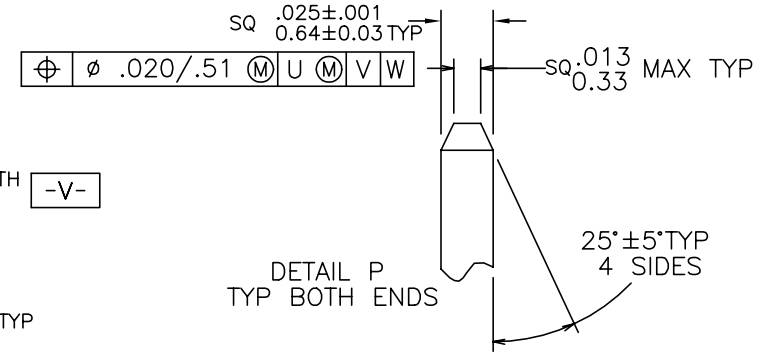
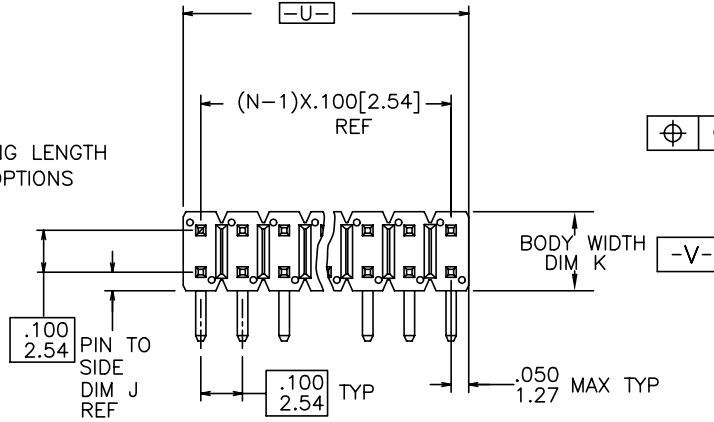


PRODUCT NUMBER

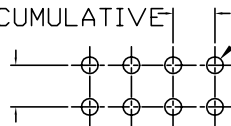
10129382 - X YY XXX X LF

- LEAD FREE OPTION (SEE NOTES 7)
- PACKAGING OPTIONS (SEE NOTE 3)
- INDICATES DIFFERENT MATING LENGTH TAIL LENGTH AND OTHER OPTIONS (SEE TABLE IN SHEET 2)
- NO OF POSITIONS (SEE NOTE 2)
- PIN PLATING (SEE SHEET 2)
- BASE PART NO.



.100±.003 [2.54±.08] TYP. NON-ACCUMULATIVE

Ø.040±.003 [1.02±.08] TYP.



.100±.003 [2.54±.08]

RECOMMENDED HOLE PATTERN

| | | | | | |
|----------------------------|-------------|-----------------------|----------------------------------|---------------------------------------|-----------------------------|
| mat'l. code SEE NOTES 1 | | surface ISO 1302 ✓ | tolerance ISO 406 ISO 1101 | projection ASME Y14.5 | product family ECONOSTIK |
| ltr | ecn | no | date | title | |
| A | NEW | ZK | 04/23/14 | ECONOSTIK HEADER | |
| B | BLX-N-18529 | ZK | 08/14/14 | .100/2.54cc DR R/A | |
| | | angles | linear | tolerances unless otherwise specified | scale 2:1 |
| | | 0°±2' | XXX±.01/XX±0.3 | INCH/MM | dwg no |
| | | | XXX±.008/XX±0.20 | | sheet 1 of 2 |
| | | | XXX±.0040/XXX±0.100 | | size |
| | | dr | ZK HU | 04/23/14 | 10129382 |
| | | engr | ZK HU | 04/23/14 | A3 |
| | | chr | RICK BIAN | 04/23/14 | |
| | | appd | RICK BIAN | 04/23/14 | |
| sheet index | revision | B | B | | |
| | sheet | 1 | 2 | | |

FCI
FCIconnect.com

Copyright FCI

| PRODUCT NUMBER | MATING LENGTH | | TAIL LENGTH | | BENDING DIMENSION | |
|-------------------|---------------|--------|-------------|--------|-------------------|--------|
| | DIM F | DIM F | DIM G | DIM G | DIM H | DIM H |
| | ENGLISH | METRIC | ENGLISH | METRIC | ENGLISH | METRIC |
| 10129382-XY001XLF | 0.230 | 5.84 | 0.120 | 3.05 | 0.060 | 1.52 |
| 10129382-XY002XLF | 0.230 | 5.84 | 0.090 | 2.29 | 0.060 | 1.52 |
| 10129382-XY003XLF | 0.318 | 8.08 | 0.120 | 3.05 | 0.060 | 1.52 |
| 10129382-XY004XLF | 0.318 | 8.08 | 0.090 | 2.29 | 0.060 | 1.52 |

| PIN PLATING CODES: | |
|--------------------|--|
| 10129382-9YYXXXXLF | 1u"/0.025u MIN Au OVER 50u"/1.27u MIN Ni |

NOTES:

1. MATERIAL

BODAY MATERIAL: HIGH TEMPERATURE THERMOPLASTIC.
 FLAME UL94-V0, BLACK.
 PIN MATERIAL: COPPER ALLOY.

2. ANY NUMBER OF POSITIONS FROM 4(2X2) TO 72(2X36).

N=NO. OF POSITION/2
 PRODUCT MAYBE CUTTING TO POSITION,
 THE CUTTING PLASH IS 0.02[0.51] MAX.

3. PACKING STYLE DEFINITION.

B: PACKED WITH POLY BAG
 T: PACKED WITH TUBE
 A: PACKED WITH TAPE AND REEL WITH PICK UP CAP
 C: PACKED WITH TAPE AND REEL WITHOUT PICK UP CAP

4. TWO SIDES OF PIN TIPS NOT PLATED, TYPICAL BOTH ENDS.

5. 2LBS/0.9KG MIN PIN RETENTION IN EITHER DIRECTION BEFORE REFLOW.

6. THE OAL DON'T EXCEED 1 INCH / 25.4MM.

7. ADD LF AT THE END OF PART NUMBER IS FOR LEAD FREE.

8. THESE PRODUCT MEETS EUROPEAN UNION DIRECTIVES AND OTHER COUNTRY REGULATION AS DESCRIBED IN GS-22-008.

9. PRODUCT SPECIFICATION: GS-12-1223.

10. THIS PRODUCT WILL WITHSTAND EXPOSURE TO 260°C PEAK TEMPERATURE FOR 20 SECONDS IN WAVE SOLDER, INFRA-RED OR VAPOR PHASE SOLDER PROCESS.



Copyright FCI

| | | | | | |
|----------------------------|----------------|-----------------------|----------------------------------|---|--|
| mat'l. code SEE NOTES 1 | | surface ISO 1302 ✓ | tolerance ISO 406 ISO 1101 | projection | product family ECONOSTIK |
| ltr | ecn | no | date | tolerances unless otherwise specified | title |
| B | | | | angles 0°±2° | INCH/MM scale 2:1 |
| | | | | linear XX±.01/XX±0.3 XXX±.008/XXX±0.20 XXXX±.0040/XXXX±0.100 | ECONOSTIK HEADER .100/2.54cc DR R/A |
| | | | | dr ZK HU 04/23/14 | dwg no 10129382 |
| | | | | engr ZK HU 04/23/14 | sheet 2 of 2 size A3 |
| | | | | chr RICK BIAN 04/23/14 | type Product Customer Drawing |
| | | | | appd RICK BIAN 04/23/14 | |
| sheet index | revision sheet | | | | |

X-ON Electronics

Largest Supplier of Electrical and Electronic Components

Click to view similar products for [Headers & Wire Housings](#) category:

Click to view products by [Amphenol](#) manufacturer:

Other Similar products are found below :

[95000-104TRLF](#) [10135584-644402LF](#) [DF62W-EP2022PCA](#) [95000-106TRLF](#) [DF62W-2022SCA](#) [DF62W-EP2022PC](#) [2203348](#) [DF62W-2022SC](#) [1084018](#) [1029039](#) [1084017](#) [802-10-012-10-002000](#) [1112640](#) [1112639](#) [891-007-9SS-BST1T](#) [000-34000](#) [0008550134](#) [0009482033](#) [0009507031](#) [57102-F02-18ULF](#) [57102-S06-03LF](#) [57202-S52-04LF](#) [PCN6-15S-2.5E](#) [0039019024](#) [58102-G61-06LF](#) [582553-1](#) [0009485154](#) [0009508121](#) [0022285053](#) [0050291907](#) [018731A](#) [LY20-4P-DT1-P1E-BR](#) [02.125.8002.8](#) [60101931](#) [60598-1 \(Cut Strip\)](#) [M1625-3R/100](#) [61062-3](#) [61082-181009](#) [CSU011177004](#) [636-1427](#) [638009-1](#) [641938-9](#) [641991-4](#) [644168-1](#) [644827-2](#) [647662-1](#) [65039-019ELF](#) [65692-001LF](#) [65781-018](#) [65781-047](#)