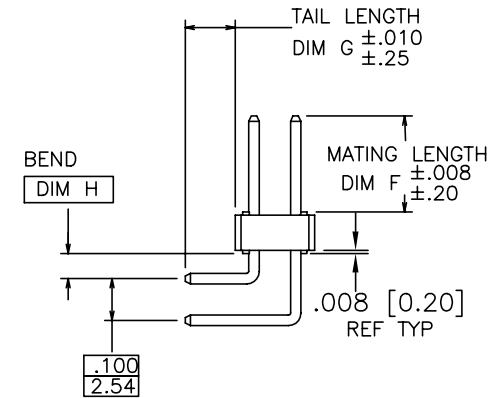
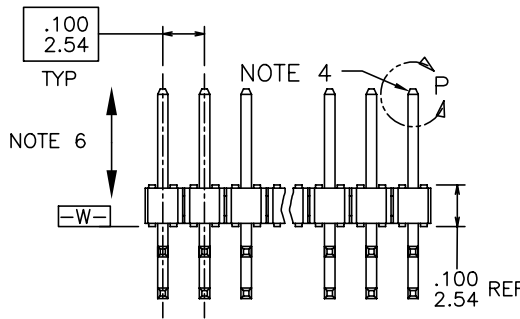
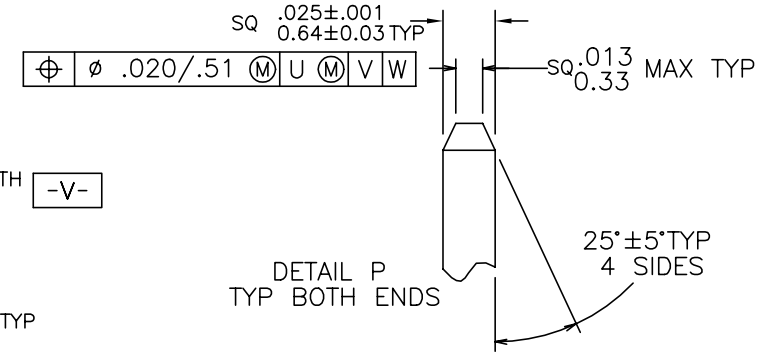
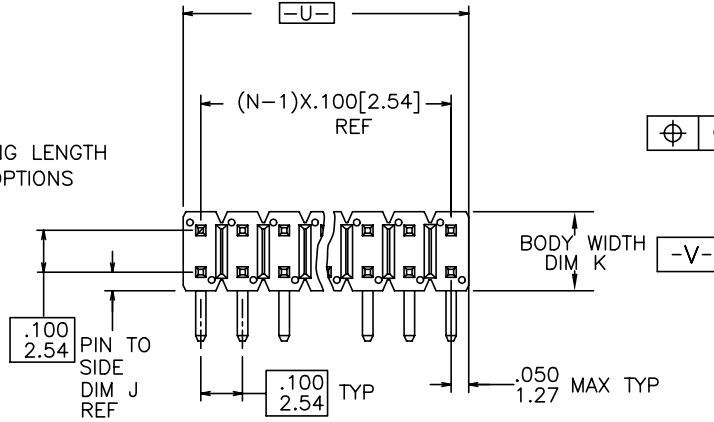


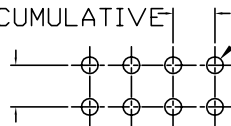
PRODUCT NUMBER

10129382 - X YY XXX X LF

- LEAD FREE OPTION (SEE NOTES 7)
- PACKAGING OPTIONS (SEE NOTE 3)
- INDICATES DIFFERENT MATING LENGTH TAIL LENGTH AND OTHER OPTIONS (SEE TABLE IN SHEET 2)
- NO OF POSITIONS (SEE NOTE 2)
- PIN PLATING (SEE SHEET 2)
- BASE PART NO.



.100±.003 [2.54±.08] TYP. NON-ACCUMULATIVE
 .040±.003 [1.02±.08] TYP.



.100±.003 [2.54±.08]

RECOMMENDED HOLE PATTERN

mat'l. code SEE NOTES 1		surface ISO 1302 ✓		tolerance ISO 406 ISO 1101		projection ASME Y14.5		product family ECONOSTIK		
ltr ecn no dr date		tolerances unless otherwise specified		title		ECONOSTIK HEADER .100/2.54cc DR R/A				
A	NEW	ZK	04/23/14	angles	linear	.XX±.01/XX±0.3	INCH/MM		dwg no	
B	ELX-N-18529	ZK	08/14/14	0°±2°		.XXX±.008/XXX±0.20	scale 2:1		sheet 1 of 2	
						.XXXX±.0040/XXXX±0.100	FCJ		size	
				dr	ZK HU	04/23/14			10129382	
				engr	ZK HU	04/23/14			A3	
				chr	RICK BIAN	04/23/14			type	
				appd	RICK BIAN	04/23/14			Product Customer Drawing	
sheet index	revision	B	B							
	sheet	1	2							

FCI
FCIconnect.com

Copyright FCI

PRODUCT NUMBER	MATING LENGTH		TAIL LENGTH		BENDING DIMENSION	
	DIM F	DIM F	DIM G	DIM G	DIM H	DIM H
	ENGLISH	METRIC	ENGLISH	METRIC	ENGLISH	METRIC
10129382-XY001XLF	0.230	5.84	0.120	3.05	0.060	1.52
10129382-XY002XLF	0.230	5.84	0.090	2.29	0.060	1.52
10129382-XY003XLF	0.318	8.08	0.120	3.05	0.060	1.52
10129382-XY004XLF	0.318	8.08	0.090	2.29	0.060	1.52

PIN PLATING CODES:	
10129382-9YYXXXXLF	1u"/0.025u MIN Au OVER 50u"/1.27u MIN Ni

NOTES:

1. MATERIAL

BODAY MATERIAL: HIGH TEMPERATURE THERMOPLASTIC.
 FLAME UL94-V0, BLACK.
 PIN MATERIAL: COPPER ALLOY.

2. ANY NUMBER OF POSITIONS FROM 4(2X2) TO 72(2X36).

N=NO. OF POSITION/2
 PRODUCT MAYBE CUTTING TO POSITION,
 THE CUTTING PLASH IS 0.02[0.51] MAX.

3. PACKING STYLE DEFINITION.

B: PACKED WITH POLY BAG
 T: PACKED WITH TUBE
 A: PACKED WITH TAPE AND REEL WITH PICK UP CAP
 C: PACKED WITH TAPE AND REEL WITHOUT PICK UP CAP

4. TWO SIDES OF PIN TIPS NOT PLATED, TYPICAL BOTH ENDS.

5. 2LBS/0.9KG MIN PIN RETENTION IN EITHER DIRECTION BEFORE REFLOW.

6. THE OAL DON'T EXCEED 1 INCH / 25.4MM.

7. ADD LF AT THE END OF PART NUMBER IS FOR LEAD FREE.

8. THESE PRODUCT MEETS EUROPEAN UNION DIRECTIVES AND OTHER COUNTRY REGULATION AS DESCRIBED IN GS-22-008.

9. PRODUCT SPECIFICATION: GS-12-1223.

10. THIS PRODUCT WILL WITHSTAND EXPOSURE TO 260°C PEAK TEMPERATURE FOR 20 SECONDS IN WAVE SOLDER, INFRA-RED OR VAPOR PHASE SOLDER PROCESS.



Copyright FCI

mat'l. code SEE NOTES 1		surface ISO 1302 ✓	tolerance ISO 406 ISO 1101	projection 	product family ECONOSTIK
ltr	ecn	no	date	tolerances unless otherwise specified	title
B				angles 0°±2°	INCH/MM scale 2:1
				linear XX±.01/XX±0.3 XXX±.008/XX±0.20 XXXX±.0040/XXX±0.100	ECONOSTIK HEADER .100/2.54cc DR R/A
				dr ZK HU 04/23/14	dwg no 10129382
				engr ZK HU 04/23/14	sheet 2 of 2 size A3
				chr RICK BIAN 04/23/14	type Product Customer Drawing
				appd RICK BIAN 04/23/14	
sheet index	revision sheet				

X-ON Electronics

Largest Supplier of Electrical and Electronic Components

Click to view similar products for [Headers & Wire Housings](#) category:

Click to view products by [Amphenol](#) manufacturer:

Other Similar products are found below :

[95000-104TRLF](#) [10135584-644402LF](#) [DF62W-EP2022PCA](#) [95000-106TRLF](#) [DF62W-2022SCA](#) [DF62W-EP2022PC](#) [2203348](#) [DF62W-2022SC](#) [1084018](#) [1029039](#) [1084017](#) [802-10-012-10-002000](#) [1112640](#) [1112639](#) [000-34000](#) [0009482033](#) [0009507031](#) [57102-S06-03LF](#) [57202-S52-04LF](#) [PCN6-15S-2.5E](#) [0039019024](#) [58102-G61-06LF](#) [582553-1](#) [0009485154](#) [0009508121](#) [0022285053](#) [0050291907](#) [018731A](#) [LY20-4P-DT1-P1E-BR](#) [02.125.8002.8](#) [60101931](#) [60598-1 \(Cut Strip\)](#) [M1625-3R/100](#) [61062-3](#) [61082-181009](#) [636-1427](#) [638009-1](#) [641938-9](#) [641991-4](#) [644168-1](#) [647662-1](#) [65039-019ELF](#) [65781-018](#) [65781-047](#) [65817-002LF](#) [65817-015LF](#) [65863-015LF](#) [66207-023LF](#) [67016-026LF](#) [67046-001LF](#)