

PRODUCT NUMBER

10129383 - X YY XXX X LF

LEAD FREE OPTION
(SEE NOTES 7)

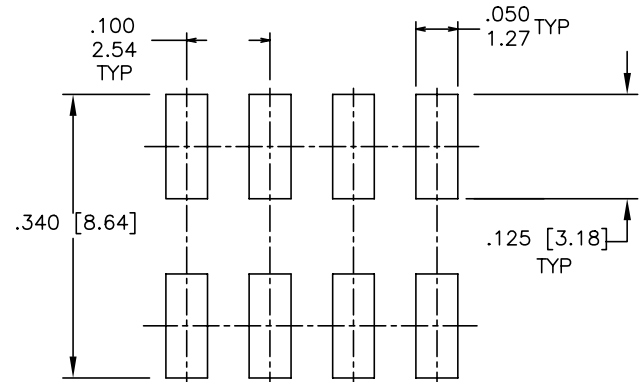
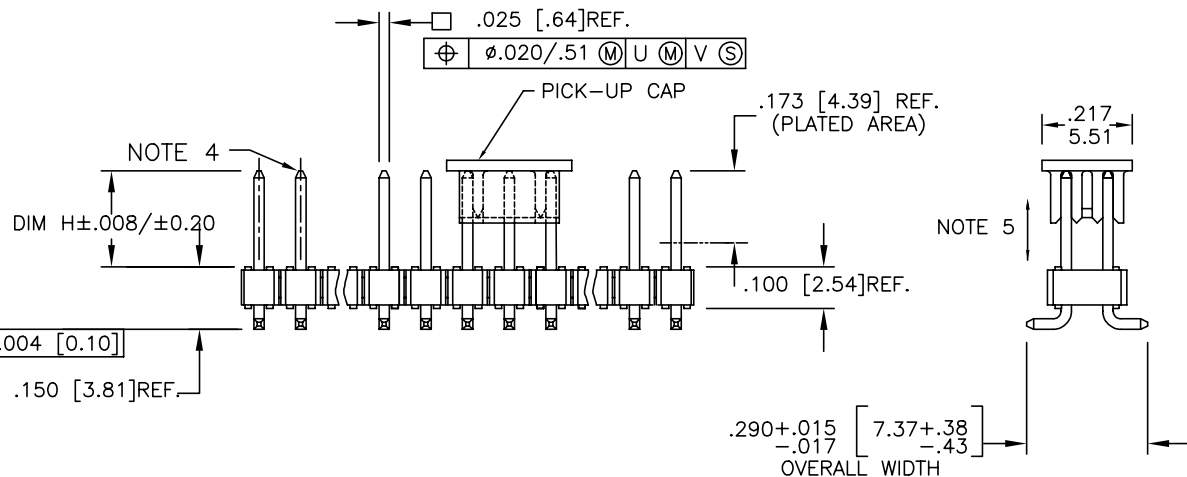
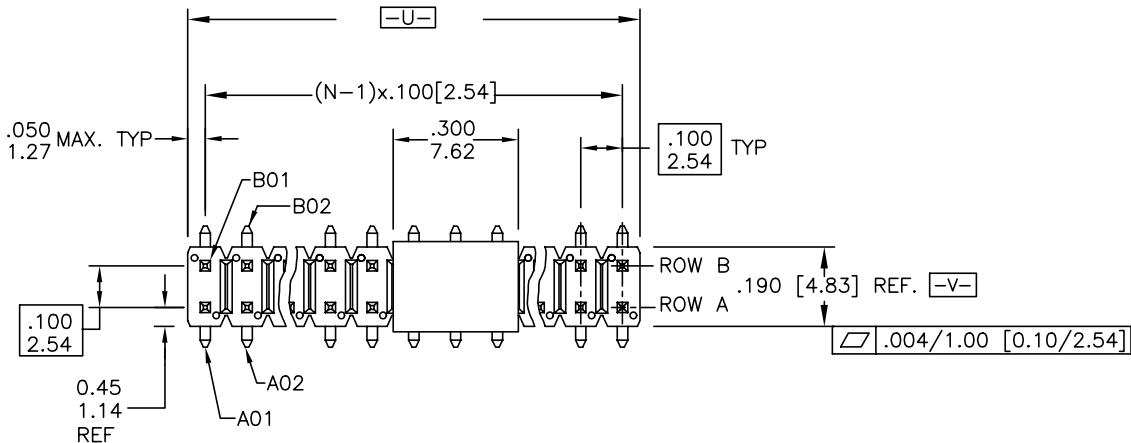
PACKAGING OPTIONS
(SEE NOTE 3)

INDICATES DIFFERENT MATING LENGTH
TAIL LENGTH AND OTHER OPTIONS
(SEE TABLE IN SHEET 2)

NO OF
POSITIONS
(SEE NOTE 2)

PIN PLATING
(SEE SHEET 2)

BASE PART NO.



RECOMMENDED PAD LAYOUT
SCALE 4:1

mat'l. code SEE NOTES 1		surface ISO 1302 ✓		tolerance ISO 406 ISO 1101		projection 		product family ECONOSTIK	
ltr ecn noor		date		tolerances unless otherwise specified		title		ECONOSTIK HEADER	
A	NEW	ZK	04/23/14	angles	line	$.XX \pm .01 / .XX \pm 0.3$	INCH/MM	.100/2.54cc DR SMT	
B	ELX-N-18529	ZK	08/14/14	$0^\circ \pm 2^\circ$		$.XXX \pm .008 / .XXX \pm 0.20$			
						$.XXXX \pm .0040 / .XXXX \pm 0.100$	scale 2:1		
dr	ZK	HU	04/23/14	engr	ZK	HU	04/23/14	dwg no	sheet 1 of 2
chr	RICK	BIAN	04/23/14	appd	RICK	BIAN	04/23/14	10129383	A3
type	Product Customer Drawing								
sheet index	revision	B	B						
	sheet	1	2						

PRODUCT NUMBER	MATING LENGTH	
	DIM H	DIM H
	ENGLISH	METRIC
10129383-XY001XLF	0.230	5.84
10129383-XY002XLF	0.318	8.08

PIN PLATING CODES:	
10129383-9YYXXXXLF	1u"/0.025u MIN Au OVER 50u"/1.27u MIN Ni

NOTES:

1. MATERIAL

BODAY MATERIAL: HIGH TEMPERATURE THERMOPLASTIC.
 FLAME UL94-V0, BLACK.
 PIN MATERIAL: COPPER ALLOY.

2. ANY NUMBER OF POSITIONS FROM 4(2X2) TO 40(2X20).

N=NO. OF POSITION /2
 PRODUCT MAYBE CUTTING TO POSITION,
 THE CUTTING PLASH IS 0.02[0.51] MAX.

3. PACKING STYLE DEFINITION.

B: PACKED WITH POLY BAG
 T: PACKED WITH TUBE
 A: PACKED WITH TAPE AND REEL WITH PICK UP CAP
 C: PACKED WITH TAPE AND REEL WITHOUT PICK UP CAP

4. TWO SIDES OF PIN TIPS NOT PLATED, TYPICAL BOTH ENDS.

5. 2LBS/0.9KG MIN PIN RETENTION IN EITHER DIRECTION BEFORE REFLOW.

6. THE OAL DON'T EXCEED 1 INCH / 25.4MM.

7. ADD LF AT THE END OF PART NUMBER IS FOR LEAD FREE.

8. THESE PRODUCT MEETS EUROPEAN UNION DIRECTIVES AND OTHER
 COUNTRY REGULATION AS DESCRIBED IN GS-22-008.

9. THE HOUSING WILL WITHSTAND EXPOSURE TO 260°C PEAK TEMPERATURE
 FOR 20 SECONDS IN A CONVECTION, INFRA-RED OR VAPOR PHASE REFLOW OVEN.

10. PRODUCT SPECIFICATION: GS-12-1223

mat'l. code SEE NOTES 1	surface ISO 1302 ✓	tolerance ISO 406 ISO 1101	projection 	product family ECONOSTIK
ltr ecn no dr date	tolerances unless otherwise specified			title ECONOSTIK HEADER .100/2.54cc DR SMT
B	angles 0°±2°	linear XX±.01/XX±0.3 XXX±.008/XXX±0.20 XXXX±.0040/XXXX±0.100	INCH/MM scale 2:1	dwg no 10129383
	dr ZK HU	04/23/14		sheet 2 of 2 size A3
	engr ZK HU	04/23/14		type Product Customer Drawing
	chr RICK BIAN	04/23/14		
	appd RICK BIAN	04/23/14		
sheet index	revision sheet			

X-ON Electronics

Largest Supplier of Electrical and Electronic Components

Click to view similar products for [Headers & Wire Housings](#) category:

Click to view products by [Amphenol](#) manufacturer:

Other Similar products are found below :

[892-18-020-10-001101](#) [58102-G61-06LF](#) [582553-1](#) [0009485154](#) [009176003701906](#) [0050291907](#) [LY20-4P-DT1-P1E-BR](#) [02.125.8002.8](#)
[609-3404](#) [61062-3](#) [622-0430](#) [622-3653LF](#) [63453-116](#) [636-1030](#) [636-1427](#) [636-3427](#) [636-4007](#) [641938-9](#) [641991-4](#) [644827-2](#) [65817-010LF](#)
[65817-015LF](#) [65863-015LF](#) [66207-023LF](#) [67095-007LF](#) [67601157](#) [68648-049](#) [70.362.1628.0](#) [70-4210](#) [70-4226B](#) [70-4853B](#) [707-5020](#) [707-](#)
[5028](#) [71.350.2428.0](#) [71918-208LF](#) [71961-016LF](#) [733-134](#) [733-162](#) [754199-000](#) [760-3052](#) [787-8014-00](#) [79531-3000](#) [FCN-360C032-B](#) [FCN-](#)
[367T-T012/H](#) [FCN-723D010/2](#) [80.063.4001.1](#) [800-90-001-10-001000](#) [800-90-010-10-002000](#) [801-43-002-10-013000](#) [801-43-006-10-002000](#)