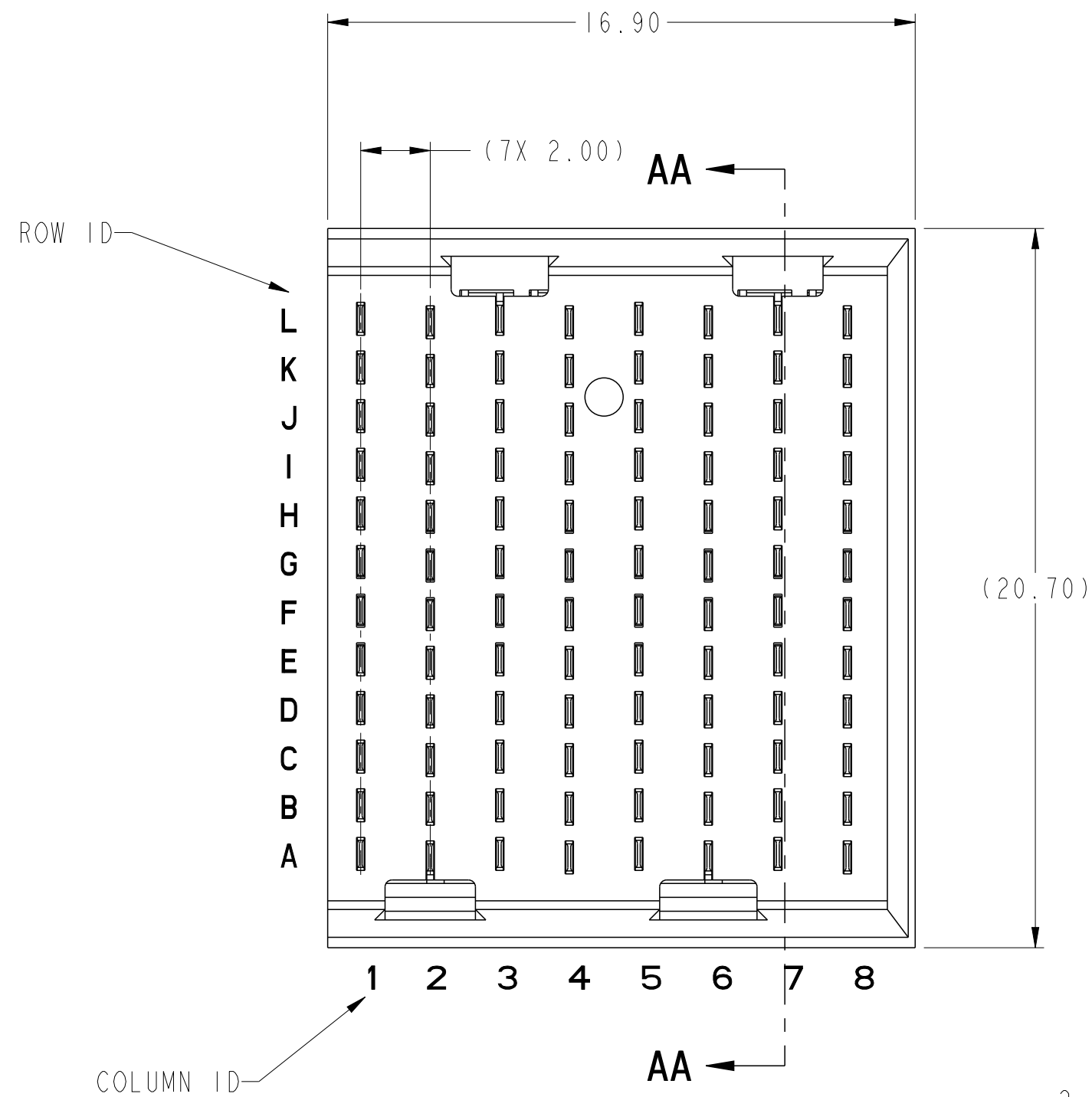
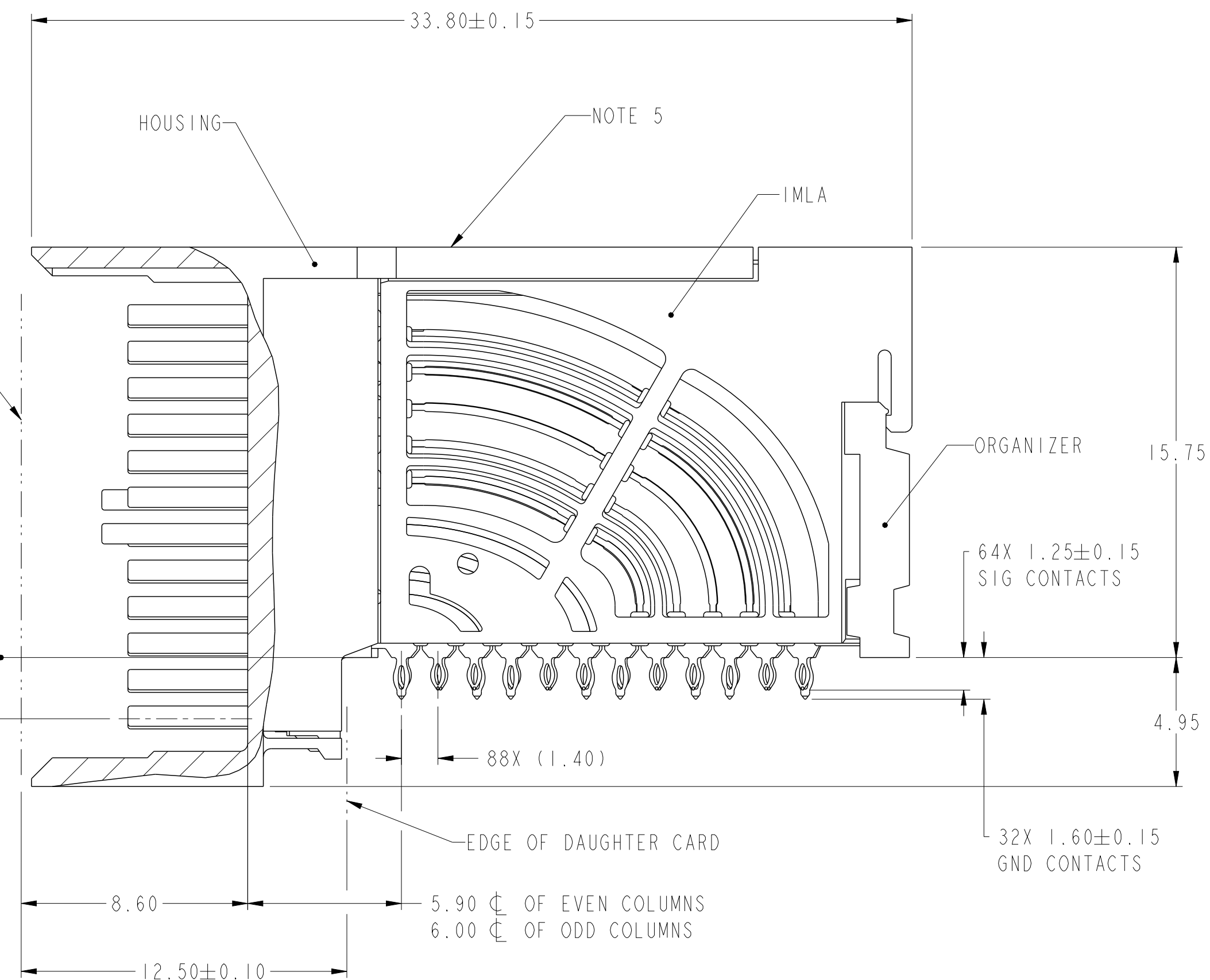


PRODUCT NUMBER	PRESS-FIT TAIL PLATING TYPE
10131510-101LF	TIN OVER NICKEL (LEAD FREE)



2.35  $\phi$  OF EVEN COLUMNS  
2.25  $\phi$  OF ODD COLUMNS



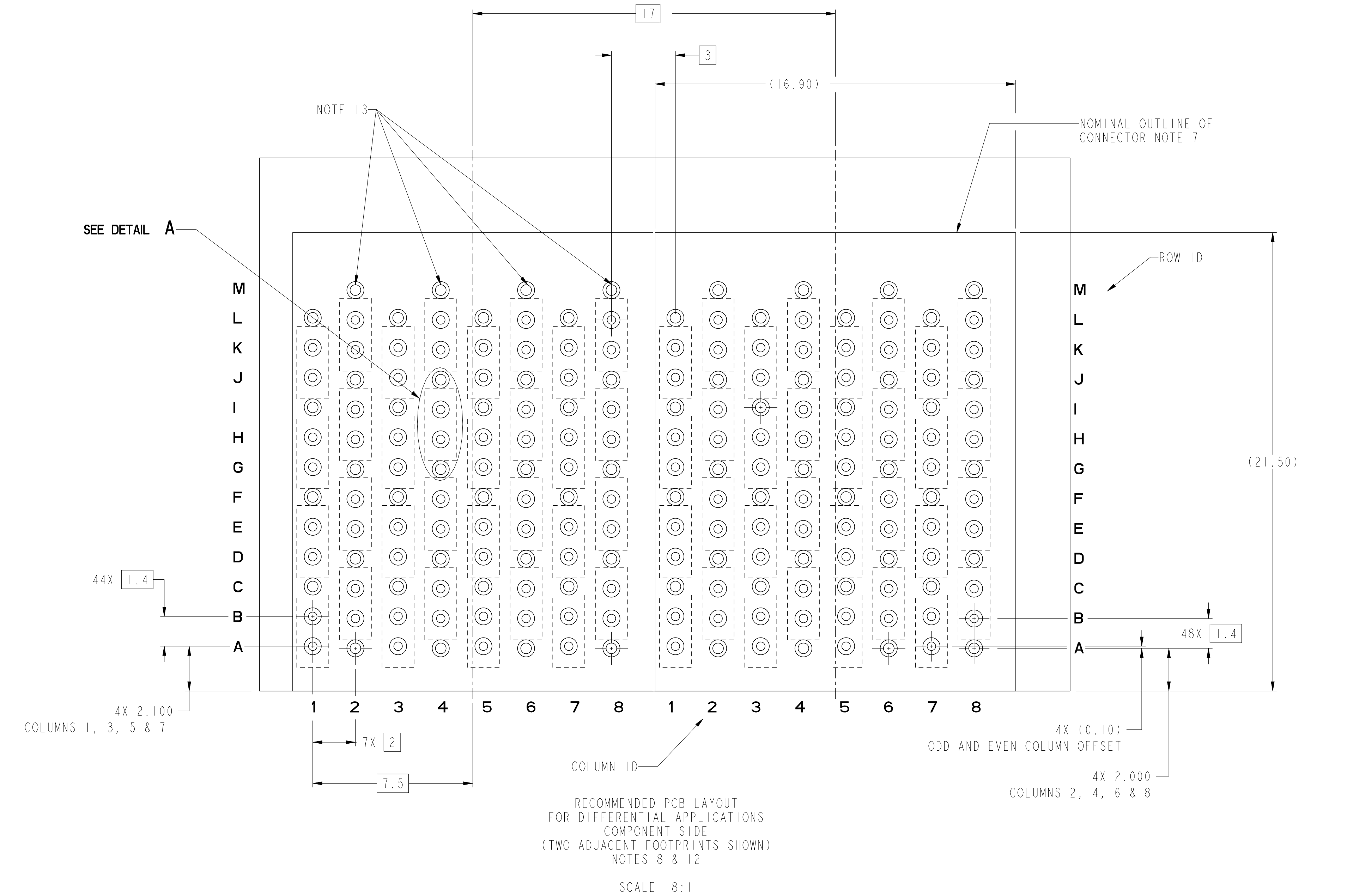
SECTION AA-AA

spec ref	---	dr	Tao Zhan	2014/08/29	projection	MM	size	A2	scale	10:1													
tolerance std	ASME Y14.5M	eng	Art Lin	2016/11/09			ecn no	ELX-DG-2525-1	rel level	Released													
TOLERANCES UNLESS OTHERWISE SPECIFIED		chr	Heaven Cen	2016/11/17																			
		appr	Pai-Ming Zheng	2016/11/18																			
surface	<table border="1"> <tr> <td>linear</td> <td>0.X</td> <td>±.3</td> </tr> <tr> <td></td> <td>0.XX</td> <td>±.15</td> </tr> <tr> <td></td> <td>0.XXX</td> <td>±.050</td> </tr> <tr> <td>angular</td> <td>0°</td> <td>±2°</td> </tr> </table>	linear	0.X	±.3		0.XX	±.15		0.XXX	±.050	angular	0°	±2°			<b>Product Family</b>		<b>Product Title</b> AirMax VSe R.A. HEADER 4 Pair, 96 pos, 8 Col, 3 Wall, Left Side		<b>Product</b> Customer Drw		<b>Product No</b> 10131510	<b>Product Rev</b> C
linear	0.X	±.3																					
	0.XX	±.15																					
	0.XXX	±.050																					
angular	0°	±2°																					
www.fci.com cat. no. - Product - Customer Drw sheet 1 of 3																							

PDS: Rev :C


STATUS:Released

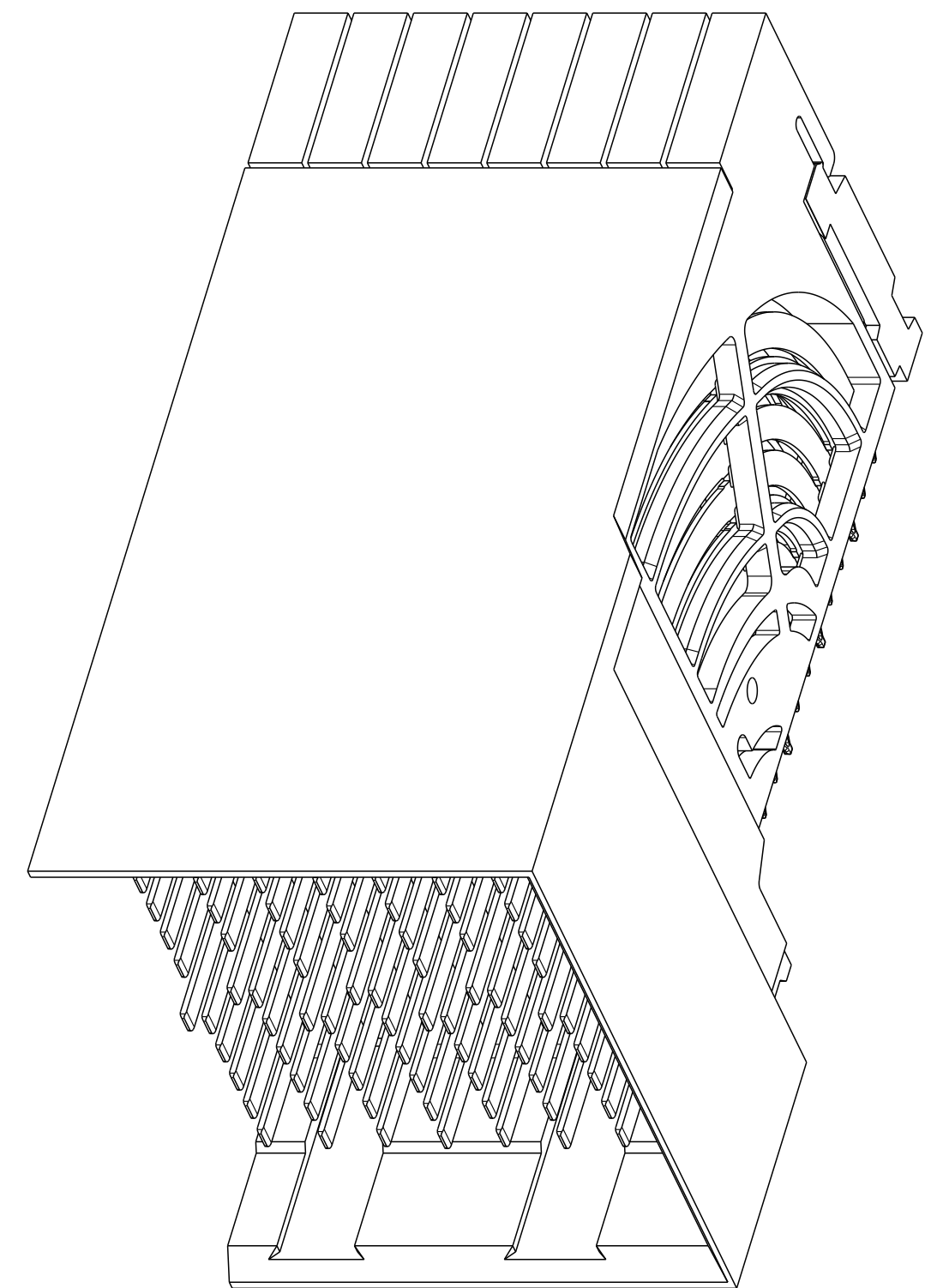
Printed: Nov 18, 2016



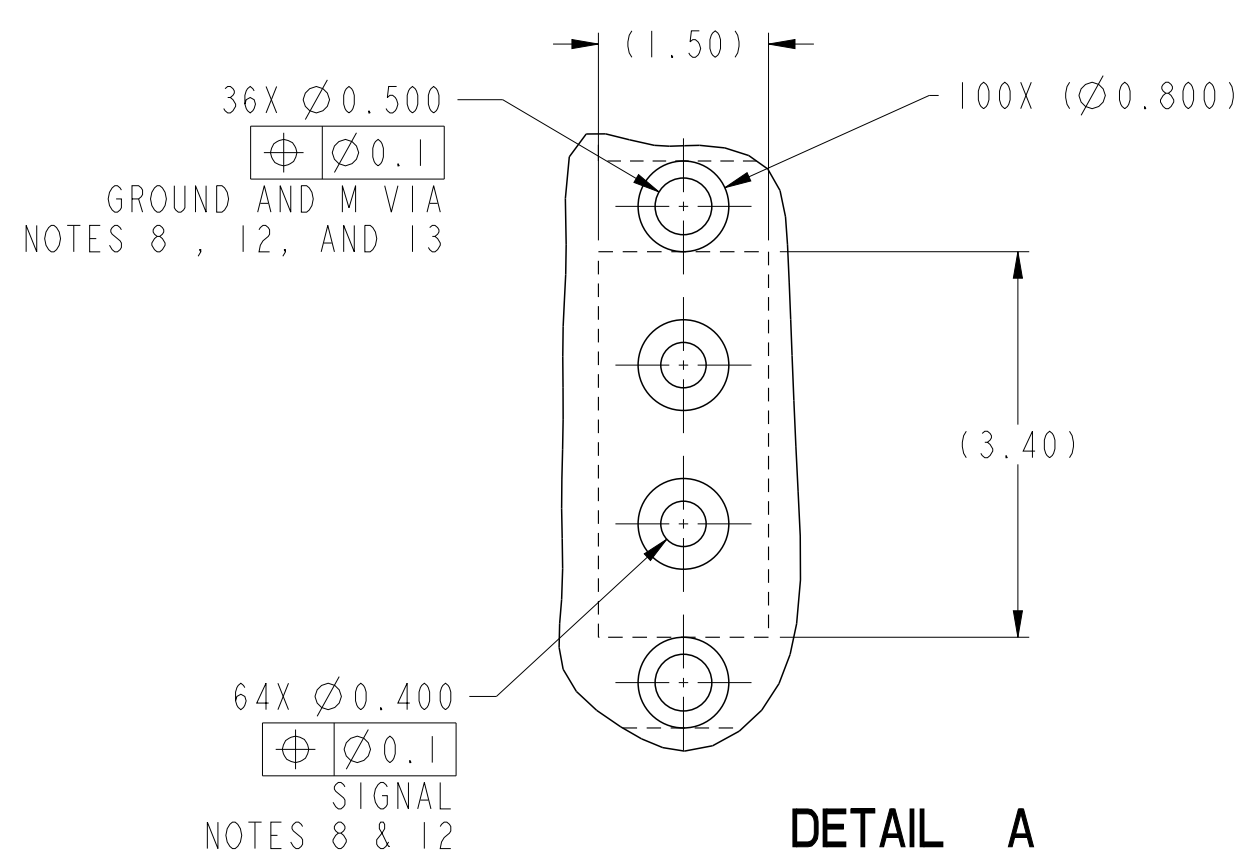
RECOMMENDED PCB LAYOUT  
FOR DIFFERENTIAL APPLICATIONS  
COMPONENT SIDE  
(TWO ADJACENT FOOTPRINTS SHOWN)  
NOTES 8 & 12  
SCALE 8:1

spec ref	---	dr	Tao Zhan	2014/08/29	projection	MM	size	A2	scale	8:1															
tolerance std	ASME Y14.5M	eng	Art Lin	2016/11/09			ecn no	ELX-DG-2525-1	rel level	Released															
TOLERANCES UNLESS OTHERWISE SPECIFIED		chr	Heaven Cen	2016/11/17																					
surface	<table border="1"> <tr> <td>linear</td> <td>0.X</td> <td>±.3</td> </tr> <tr> <td></td> <td>0.XX</td> <td>±.15</td> </tr> <tr> <td></td> <td>0.XXX</td> <td>±.050</td> </tr> <tr> <td>angular</td> <td>0°</td> <td>±2°</td> </tr> </table>	linear	0.X	±.3		0.XX	±.15		0.XXX	±.050	angular	0°	±2°	appr	Pei-Ming Zheng	2016/11/18	product family	-	rel level	Released	<table border="1"> <tr> <td>dwg no</td> <td>10131510</td> </tr> <tr> <td>rev</td> <td>C</td> </tr> </table>	dwg no	10131510	rev	C
linear	0.X	±.3																							
	0.XX	±.15																							
	0.XXX	±.050																							
angular	0°	±2°																							
dwg no	10131510																								
rev	C																								
www.fci.com		Amphenol FCi		title		AirMax VSe R.A. HEADER		Product - Customer Drw		sheet 2 of 3															

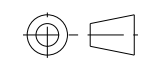
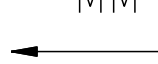


- ① - CONNECTOR MATERIALS:  
HOUSING: LCP, 20% MINIMUM GLASS, NATURAL, UL94-V0  
IMLA PLASTIC: HIGH TEMP THERMOPLASTIC, BLACK, UL94-V0  
CONTACT: COPPER ALLOY  
ORGANIZER: HIGH TEMP THERMOPLASTIC, NATURAL, UL94-V0
- 2 - CONTACT PLATING:  
SEPARABLE INTERFACE:  
PERFORMANCE-BASED PLATING, QUALIFIED TO MEET THE REQUIREMENTS OF FCI PRODUCT SPECIFICATION GS-12-0956 INCLUDING TELCORDIA GR-1217-CORE (NOVEMBER 1995) CENTRAL OFFICE TEST SEQUENCE  
  
PRESS-FIT TAILS: SEE TABLE
- 3 - PRODUCT SPECIFICATION: GS-12-0956
- 4 - APPLICATION SPECIFICATION: GS-20-0305
- ⑤ - PRODUCT MARKING, (PROTOTYPE, PART NUMBER & LOT CODE), ON THIS SURFACE.
- ⑥ - POSITIONS "F" OF ODD NUMBERED COLUMNS AND POSITIONS "G" OF EVEN NUMBERED COLUMNS CORRESPOND TO EARLY MATE HEADER PINS.
- ⑦ - CONNECTOR OUTLINE MAY BE SCREEN PRINTED ONTO CUSTOMER PCB TO BE USED AS A GUIDE FOR CONNECTOR PLACEMENT.
- ⑧ - REFER TO CUSTOMER DRAWING 10104444 FOR INFORMATION ON PCB HOLE DIAMETERS AND PLATING OPTIONS
- 9 - LEAD FREE PRODUCT MEETS THE EUROPEAN UNION DIRECTIVES & OTHER COUNTRY REGULATIONS AS DESCRIBED IN GS-22-008
- 10 - A  SYMBOL WILL BE NEXT TO ANY DIMENSION, VIEW, OR NOTE THAT HAS BEEN MODIFIED WITH THE CURRENT DRAWING REVISION.
- 11 - PACKAGING MEETS GS-14-920 LEAD FREE LABELING SPECIFICATION.
- ⑫ - GROUND CONTACTS (C, F, I & L IN ODD COLUMNS AND A, D, G & J IN EVEN COLUMNS) REQUIRE (Ø0.500) FINISHED HOLES. SIGNAL LOCATIONS REQUIRE (Ø0.400) FINISHED HOLES
- ⑬ - THESE OUTER VIAS (M) ARE OPTIONAL. WHILE NO CONNECTOR EONS ARE PRESSED INTO THESE HOLES WE RECOMMEND (Ø0.500) FINISHED HOLES AT THESE LOCATIONS TO PROVIDE GROUND SYMMETRY THROUGH THE PCB.



10131510-101LF



DETAIL A  
SCALE 15:1

spec ref	---	dr	Tao Zhan	2014/08/29	projection	MM	size	A2	scale	10:1
tolerance std	ASME Y14.5M	eng	Art Lin	2016/11/09			ecn no	ELX-DG-2525-1	rel level	Released
TOLERANCES UNLESS OTHERWISE SPECIFIED		chr	Heaven Cen	2016/11/17						
		appr	Pai-Ming Zheng	2016/11/18						
surface	 linear	0.X ±.3 0.XX ±.15 0.XXX ±.050 angular 0° ±2°			title AirMax VSe R.A. HEADER 4 Pair, 96 pos, 8 Col, 3 Wall, Left Side		dwg no 10131510	rev C	Product - Customer Drw sheet 3 of 3	

Amphenol FCI

© 2016 AFCI

## X-ON Electronics

Largest Supplier of Electrical and Electronic Components

*Click to view similar products for [High Speed/Modular Connectors](#) category:*

*Click to view products by [Amphenol](#) manufacturer:*

Other Similar products are found below :

[650827-1](#) [74040-1346](#) [1410191-1](#) [1410337-1](#) [1410368-3](#) [1410964-2](#) [1410326-3](#) [1410367-3](#) [1410971-4](#) [1467833-1](#) [2000877-1](#) [2000878-1](#)  
[2041314-1](#) [2065387-1](#) [2187307-1](#) [163P](#) [1934290-1](#) [2000875-1](#) [2065917-1](#) [2102736-2](#) [FSR-40](#) [2169868-2](#) [22354-8](#) [437-5040-000](#) [5-](#)  
[1393565-0](#) [039-0246-000](#) [0740618502](#) [0761601016](#) [10123159-12ELF](#) [030-2415-003/100 PK](#) [030-7380-004](#) [030-2494-001](#) [532939-1](#)  
[5532901-3](#) [3-1469268-7](#) [74748-102LF](#) [73670-0247](#) [10041743-101LF](#) [10066670-100002LF](#) [1-533915-1](#) [249-4515-000](#) [7-1469373-3](#) [DL2-](#)  
[2J/S](#) [2000713-8](#) [2000713-7](#) [3011-21](#) [757105208](#) [EBTF-4-10-2.0-S-RA-1](#) [430305-001](#) [4395800100](#)