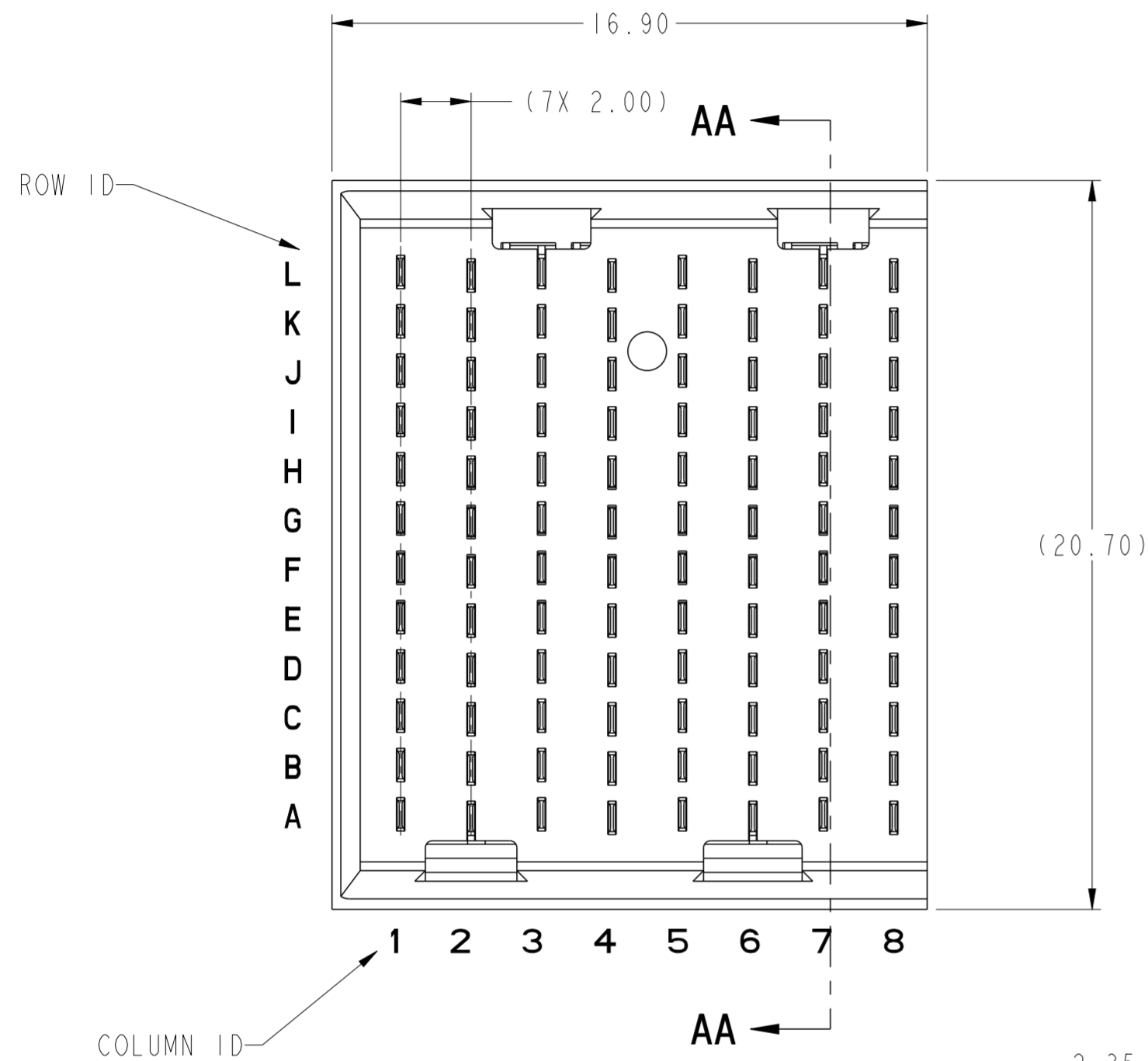
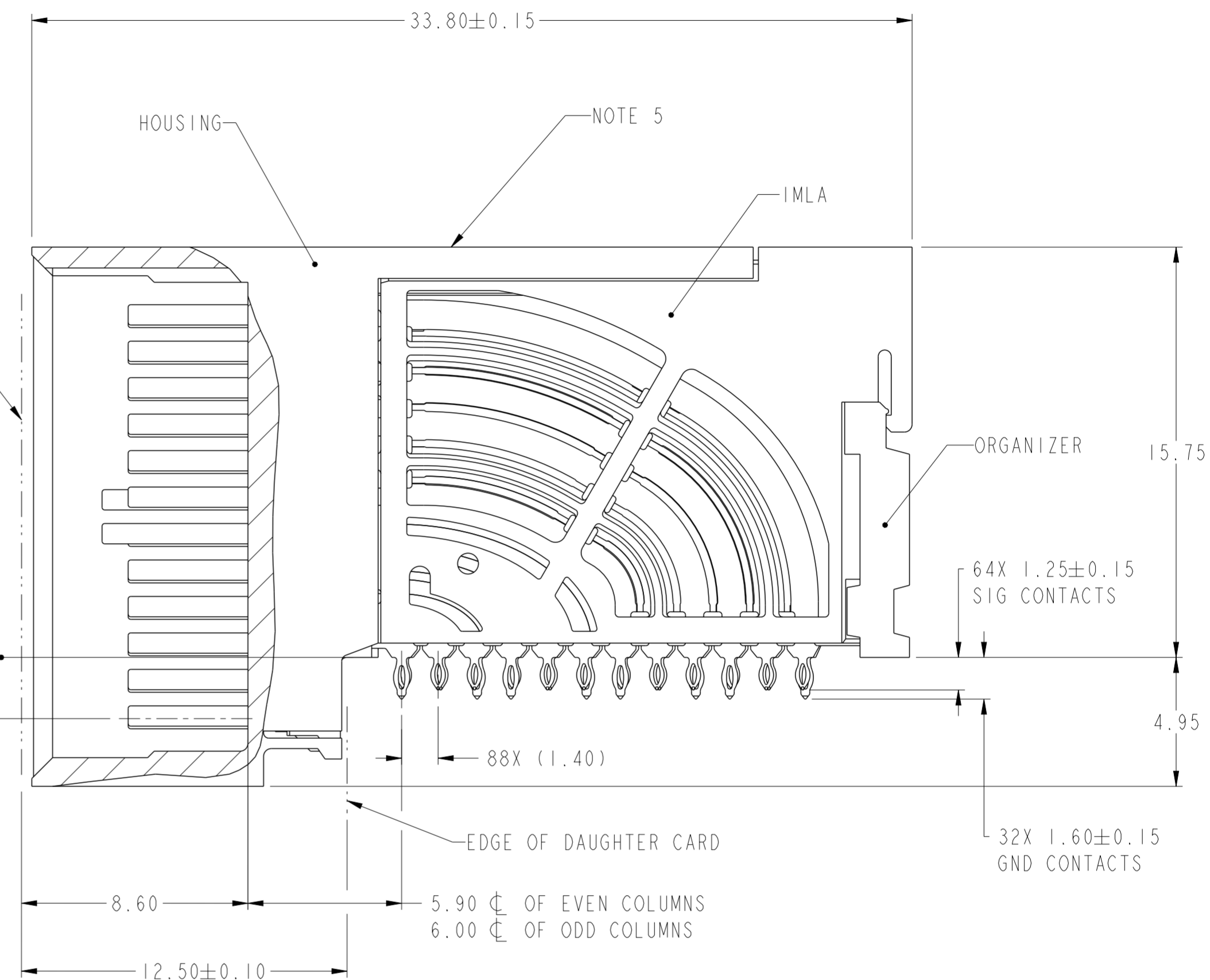


PRODUCT NUMBER	PRESS-FIT TAIL PLATING TYPE
10131512-101LF	TIN OVER NICKEL (LEAD FREE)



2.35 ϕ OF EVEN COLUMNS
2.25 ϕ OF ODD COLUMNS



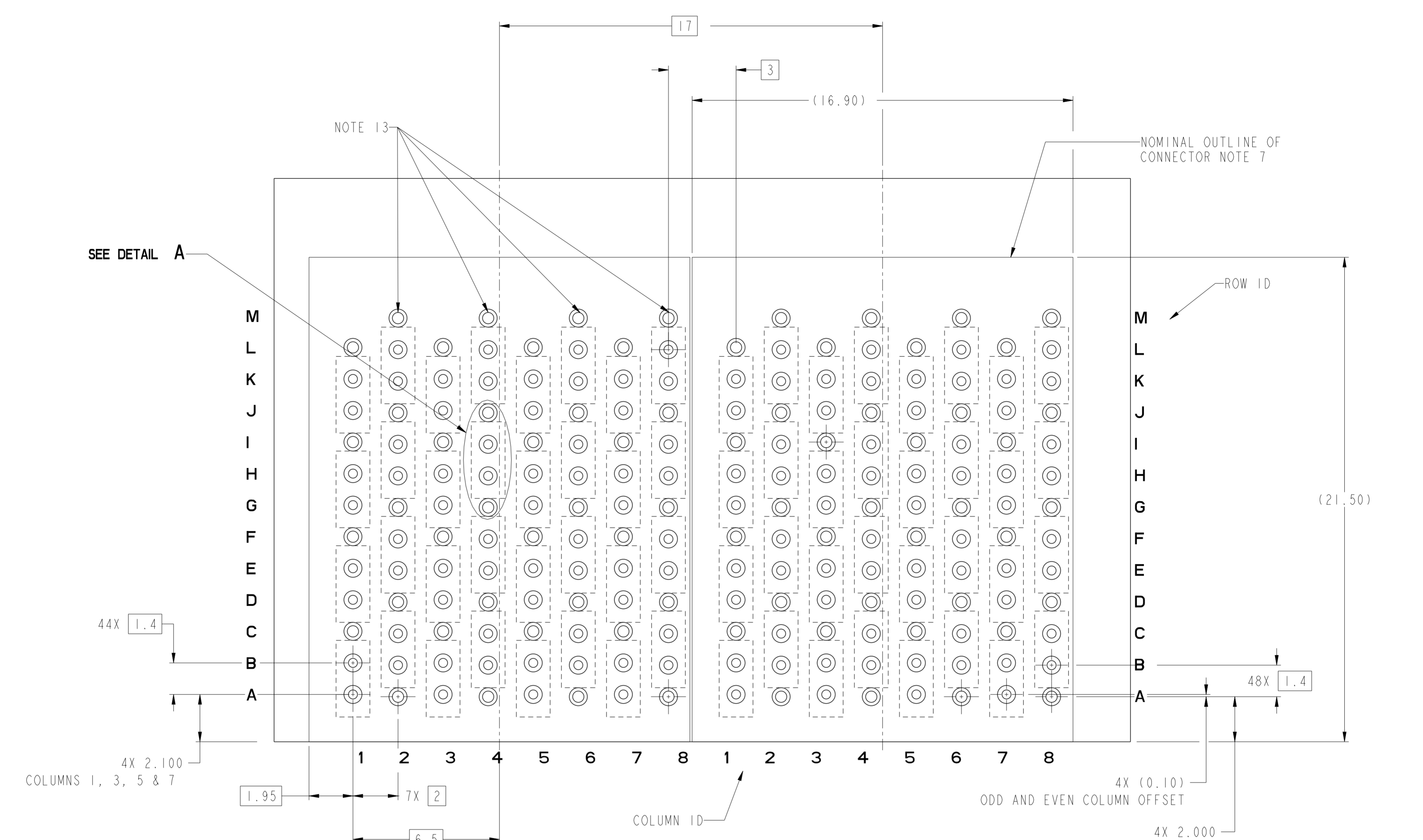
SECTION AA-AA

spec ref	---	dr	Tao Zhan	2014/08/29	projection	MM	size	A2	scale	6:1
tolerance std	ASME Y14.5M	eng	Art Lin	2016/11/16			ecn no	ELX-DG-2525-1	rel level	Released
TOLERANCES UNLESS OTHERWISE SPECIFIED		chr	Heaven Cen	2016/11/17						
		appr	Pai-Ming Zheng	2016/11/18						
surface	linear	0.X	±.3		AIRMAX VSE RA HEADER 4 Pair, 96 pos, 8COL, 3 Wall/RIGHT Side	product family AirMax VSe	dwg no 10131512	rev C	angular 0° ±2°	
		0.XX	±.15							
		0.XXX	±.050							
		cat. no.		Product - Customer Drw		sheet 1 of 3				

PDS: Rev :C

STATUS:Released

Printed: Nov 18, 2016

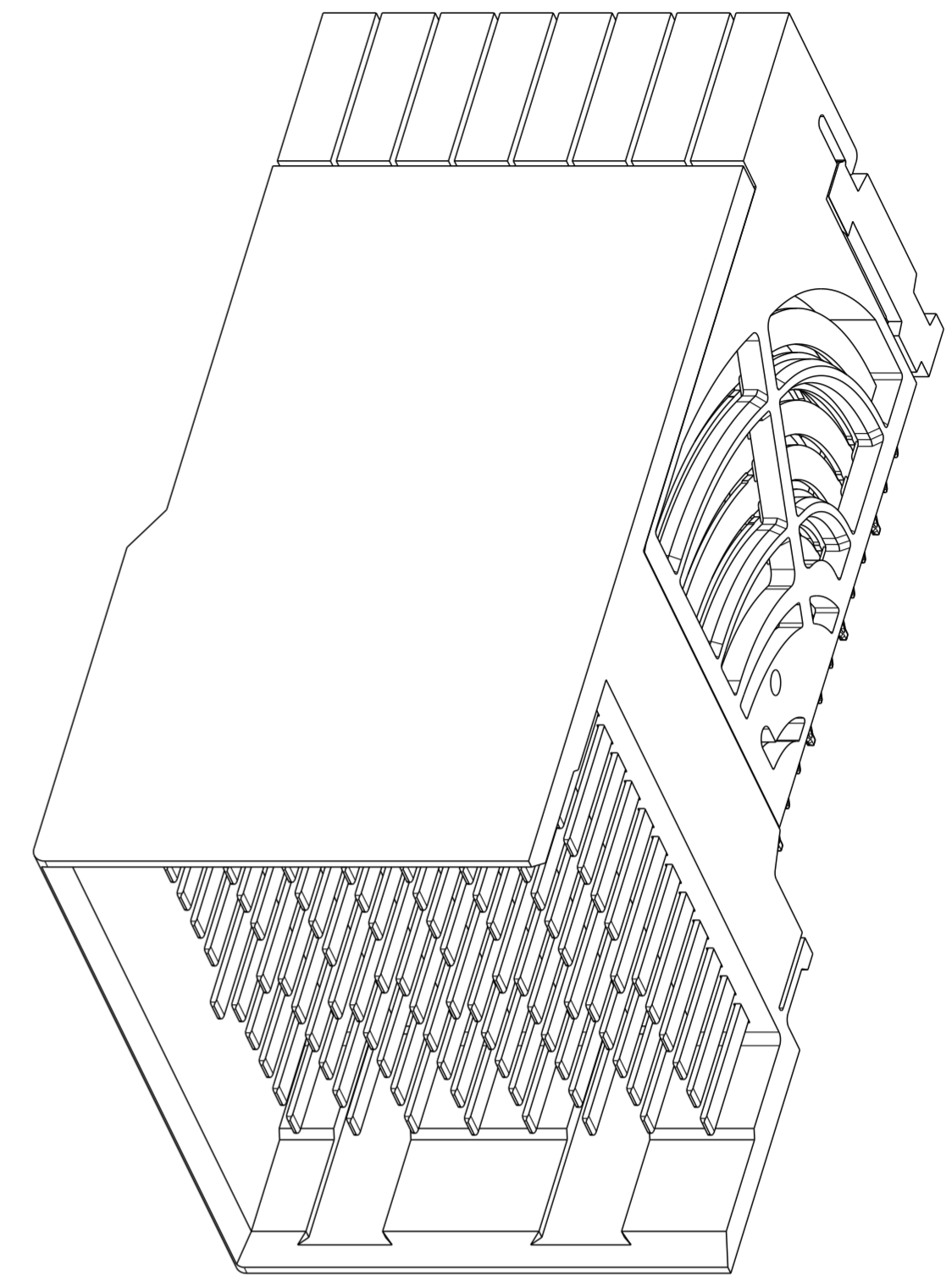


RECOMMENDED PCB LAYOUT
FOR DIFFERENTIAL APPLICATIONS
COMPONENT SIDE
(TWO ADJACENT FOOTPRINTS SHOWN)
NOTES 8 & 12
SCALE 8:1

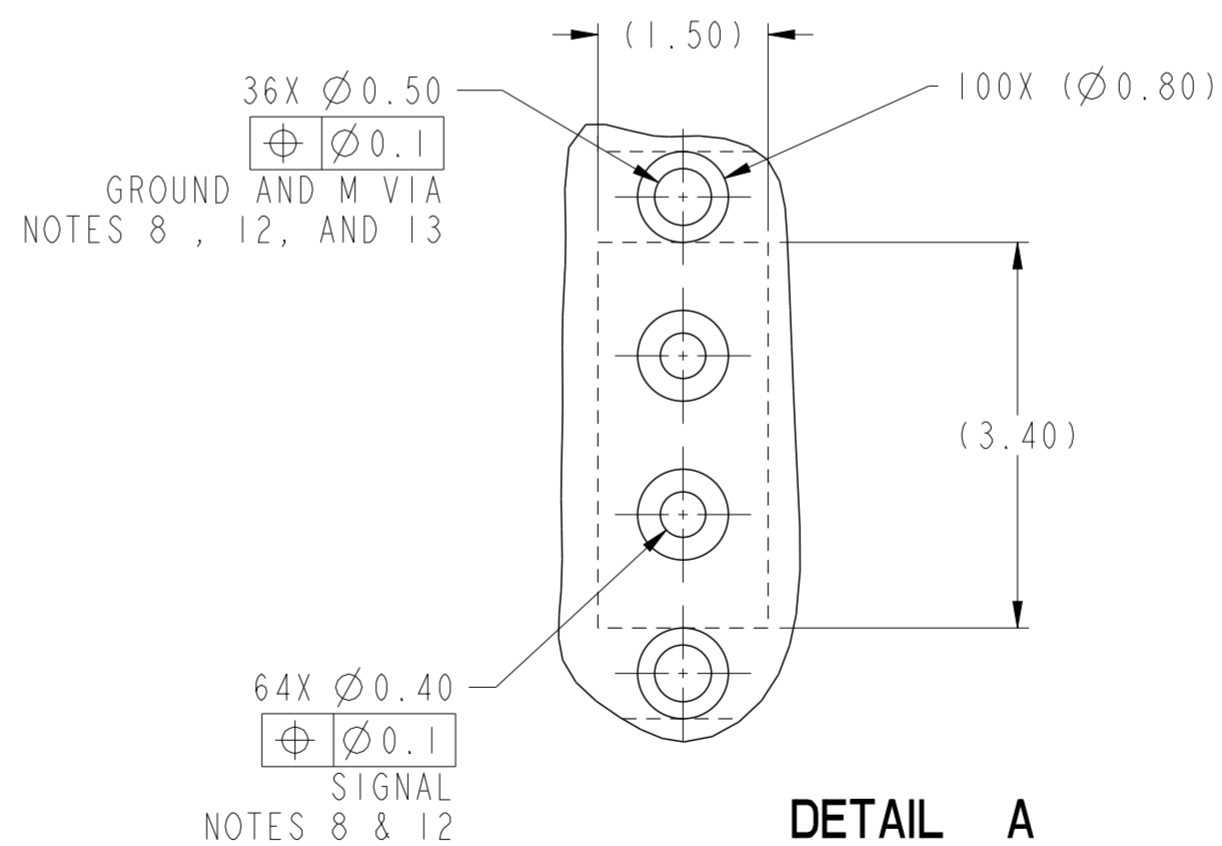
spec ref	---	dr	Tao Zhan	2014/08/29	projection	MM	size	A2	scale	8:1
tolerance std	ASME Y14.5M	eng	Art Lin	2016/11/16			ecn no	ELX-DG-2525-1		
TOLERANCES UNLESS OTHERWISE SPECIFIED		chr	Heaven Cen	2016/11/17				rel level	Released	
surface	linear	appr	Pei-Ming Zheng	2016/11/18	product family	-	rel level	Released		
	angular	Amphenol FCI		title	AIRMAX VSE RA HEADER			dwg no	10131512	
					4 Pair, 96 pos, 8COL, 3 Wall/RIGHT Side			rev	C	
				cat. no.	-			Product - Customer Drw	sheet 2 of 3	

- ① - CONNECTOR MATERIALS:
HOUSING: LCP, 20% MINIMUM GLASS, NATURAL, UL94-V0
IMLA PLASTIC: HIGH TEMP THERMOPLASTIC, BLACK, UL94-V0
CONTACT: COPPER ALLOY
ORGANIZER: HIGH TEMP THERMOPLASTIC, NATURAL, UL94-V0
- 2 - CONTACT PLATING:
SEPARABLE INTERFACE:
PERFORMANCE-BASED PLATING, QUALIFIED TO MEET THE REQUIREMENTS OF FCI PRODUCT SPECIFICATION GS-12-0956 INCLUDING TELCORDIA GR-1217-CORE (NOVEMBER 1995) CENTRAL OFFICE TEST SEQUENCE

PRESS-FIT TAILS: SEE TABLE
- 3 - PRODUCT SPECIFICATION: GS-12-0956
- 4 - APPLICATION SPECIFICATION: GS-20-0305
- ⑤ - PRODUCT MARKING, (PROTOTYPE, PART NUMBER & LOT CODE), ON THIS SURFACE.
- ⑥ - POSITIONS "F" OF ODD NUMBERED COLUMNS AND POSITIONS "G" OF EVEN NUMBERED COLUMNS CORRESPOND TO EARLY MATE HEADER PINS.
- ⑦ - CONNECTOR OUTLINE MAY BE SCREEN PRINTED ONTO CUSTOMER PCB TO BE USED AS A GUIDE FOR CONNECTOR PLACEMENT.
- ⑧ - REFER TO CUSTOMER DRAWING 10104444 FOR INFORMATION ON PCB HOLE DIAMETERS AND PLATING OPTIONS
- 9 - LEAD FREE PRODUCT MEETS THE EUROPEAN UNION DIRECTIVES & OTHER COUNTRY REGULATIONS AS DESCRIBED IN GS-22-008
- 10 - A SYMBOL WILL BE NEXT TO ANY DIMENSION, VIEW, OR NOTE THAT HAS BEEN MODIFIED WITH THE CURRENT DRAWING REVISION.
- 11 - PACKAGING MEETS GS-14-920 LEAD FREE LABELING SPECIFICATION.
- ⑫ - GROUND CONTACTS (C, F, I & L IN ODD COLUMNS AND A, D, G & J IN EVEN COLUMNS) REQUIRE (Ø0.50) FINISHED HOLES. SIGNAL LOCATIONS REQUIRE (Ø0.40) FINISHED HOLES
- ⑬ - THESE OUTER VIAS (M) ARE OPTIONAL. WHILE NO CONNECTOR EONS ARE PRESSED INTO THESE HOLES WE RECOMMEND (Ø0.500) FINISHED HOLES AT THESE LOCATIONS TO PROVIDE GROUND SYMMETRY THROUGH THE PCB.



10131512-101LF



spec ref	---	dr	Tao Zhan	2014/08/29	projection	MM	size	A2	scale	10:1	
tolerance std	ASME Y14.5M	eng	Art Lin	2016/11/16			ecn no	ELX-DG-2525-1			
TOLERANCES UNLESS OTHERWISE SPECIFIED		chr	Heaven Cen	2016/11/17			rel level	Released			
		appr	Pai-Ming Zheng	2016/11/18			product family				
surface	linear	0.X	±.3		AIRMAX VSE RA HEADER 4 Pair, 96 pos, 8COL, 3 Wall/RIGHT Side		dwg no	10131512			
	0.XX	±.15	rev				C				
	0.XXX	±.050	cat. no.				Product - Customer Drw				
	angular	0°	±2°			sheet 3 of 3					

X-ON Electronics

Largest Supplier of Electrical and Electronic Components

Click to view similar products for [Power to the Board](#) category:

Click to view products by [Amphenol](#) manufacturer:

Other Similar products are found below :

[10131318-08512GRLF](#) [6450171-4](#) [6450552-7](#) [6600323-8](#) [6643429-1](#) [6646040-2](#) [6651939-1](#) [6766604-1](#) [120959-1](#) [1393557-2](#) [1393532-2](#)
[1393532-3](#) [1393532-4](#) [1393557-1](#) [1600812-5](#) [1-6450861-2](#) [1645595-1](#) [1743490-1](#) [1744132-7](#) [1761122-1](#) [1766169-1](#) [1766250-1](#) [18362](#)
[1892109-1](#) [1-967627-6](#) [2226808-1](#) [2-6450860-5](#) [2-6450860-6](#) [2-6450870-0](#) [93003-0502](#) [953552-1](#) [1-6450161-4](#) [1-6450850-6](#) [1645526-2](#) [1-](#)
[6600130-0](#) [1743419-1](#) [1766150-1](#) [2005243-2](#) [211110-1](#) [2-6600130-2](#) [TE34-12-16P-F0](#) [51700-10201602AALF](#) [5-6450830-6](#) [5646956-4](#)
[36662-0005](#) [40585-3000](#) [4-6450830-9](#) [4-6600333-3](#) [51142-0214](#) [10125416-4050LF](#)