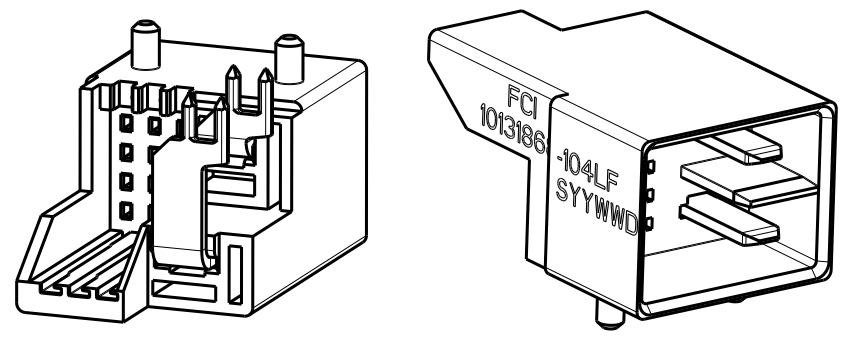
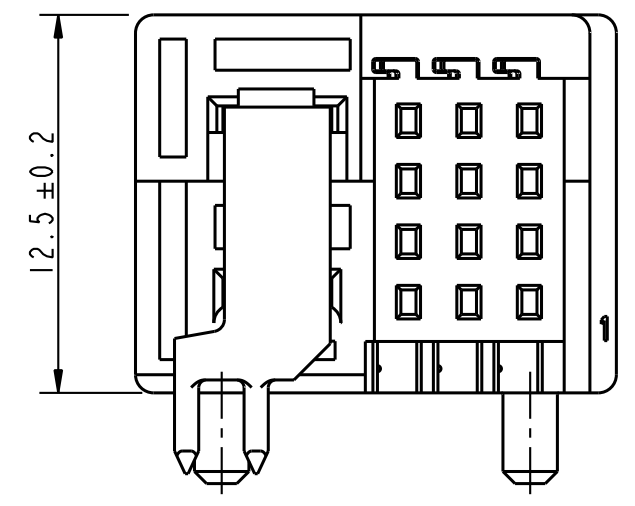
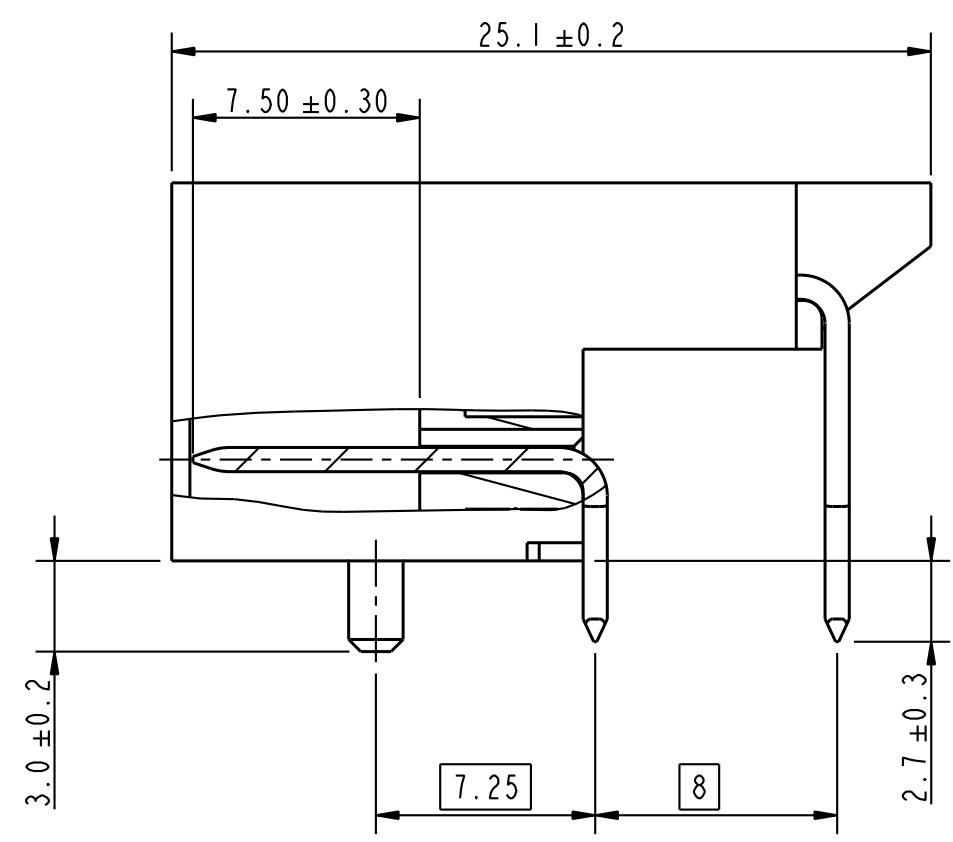
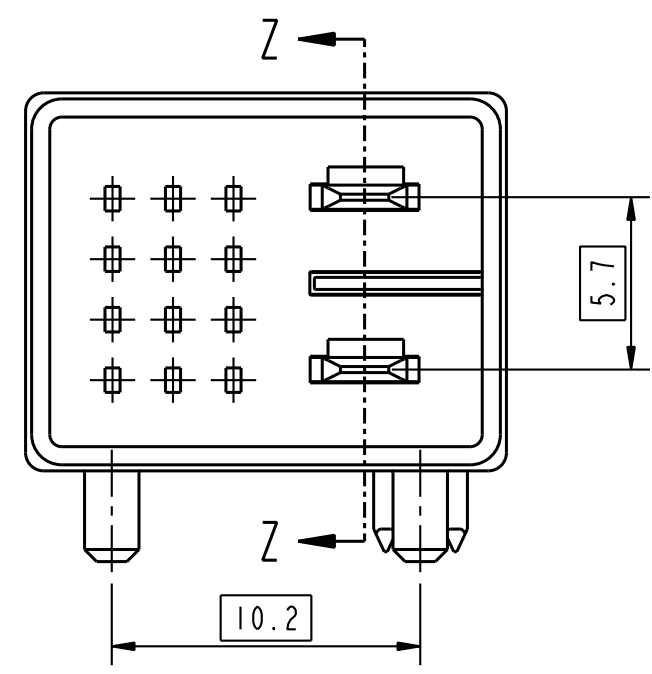
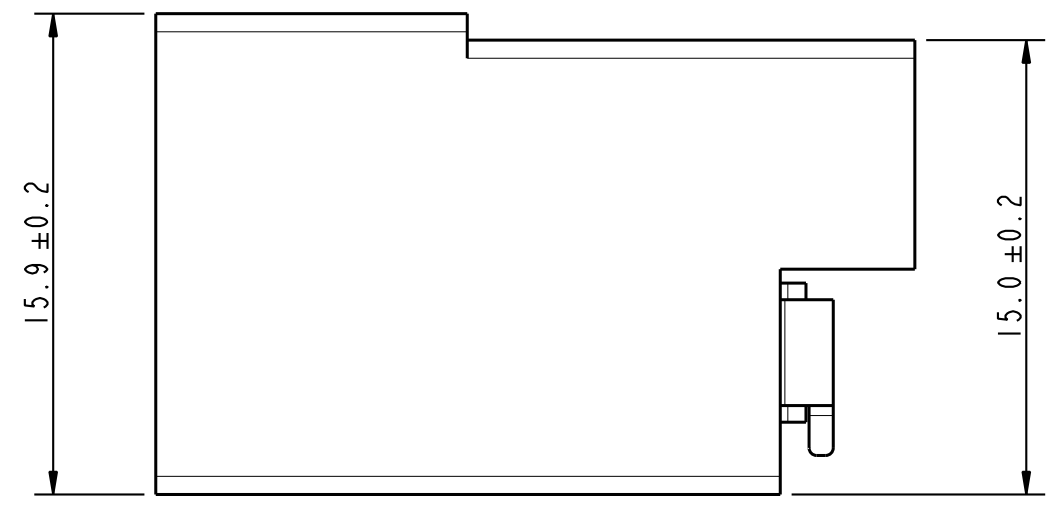
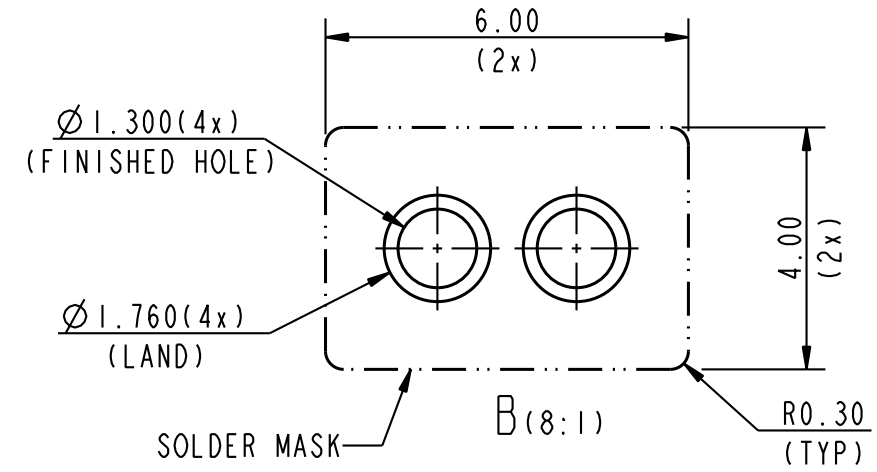
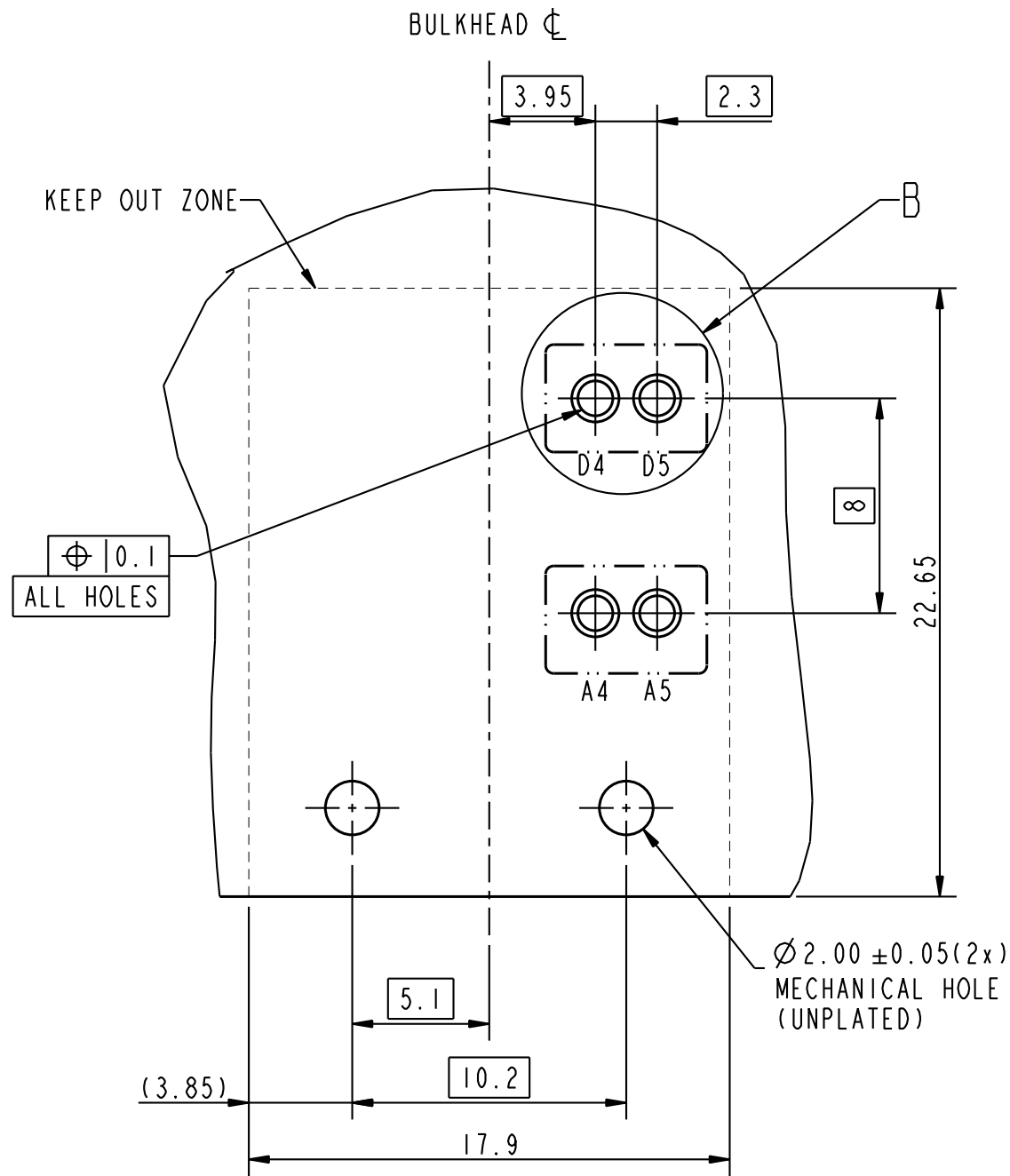


PRODUCT NUMBER
10131868-104LF



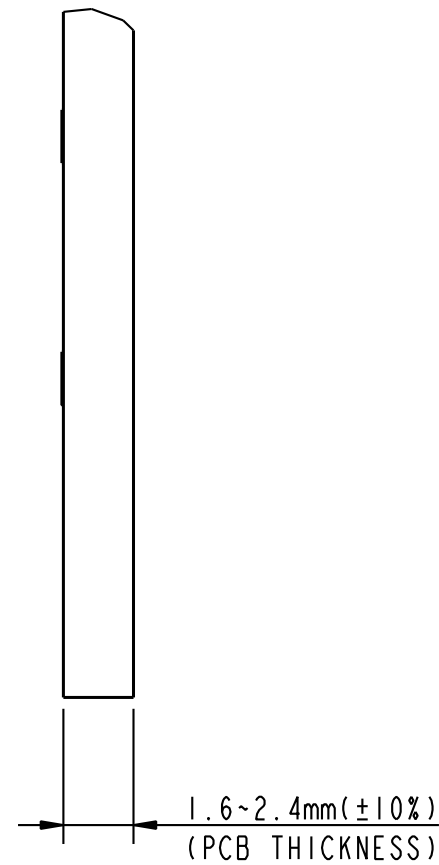
spec ref	-	dr	Stalin Alosius	2015/09/23	projection	mm	size	A3	scale	2:1	
tolerance std	ISO 406 ISO 1101	eng	Stalin Alosius	2016/02/23			ecn no	ELX-22463-4			
TOLERANCES UNLESS OTHERWISE SPECIFIED		chr	-	-			rel level	Released			
surface	linear	appr	K-Paul Biju	2016/02/24	product family	METRAL HDXS		cat. no.	-	Product - Customer Drw	
ISO 1302	angular	0°	±2°	Amphenol FCI	title	POWER OCTIS RA BC WITH COMBO HSG 2 PWR PIP TERMINATION		dwg no	10131868-104	rev	B
										sheet 1 of 4	

VIEW FROM COMPONENT SIDE



NOTES:

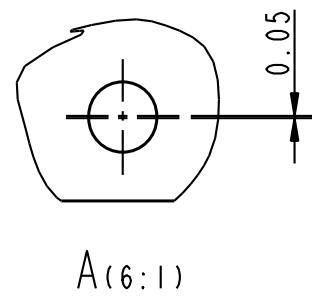
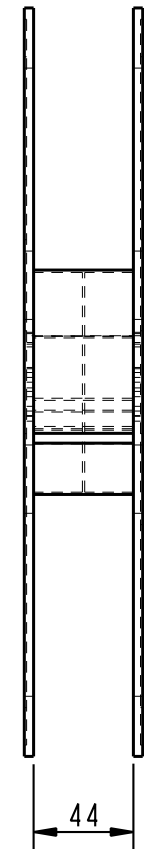
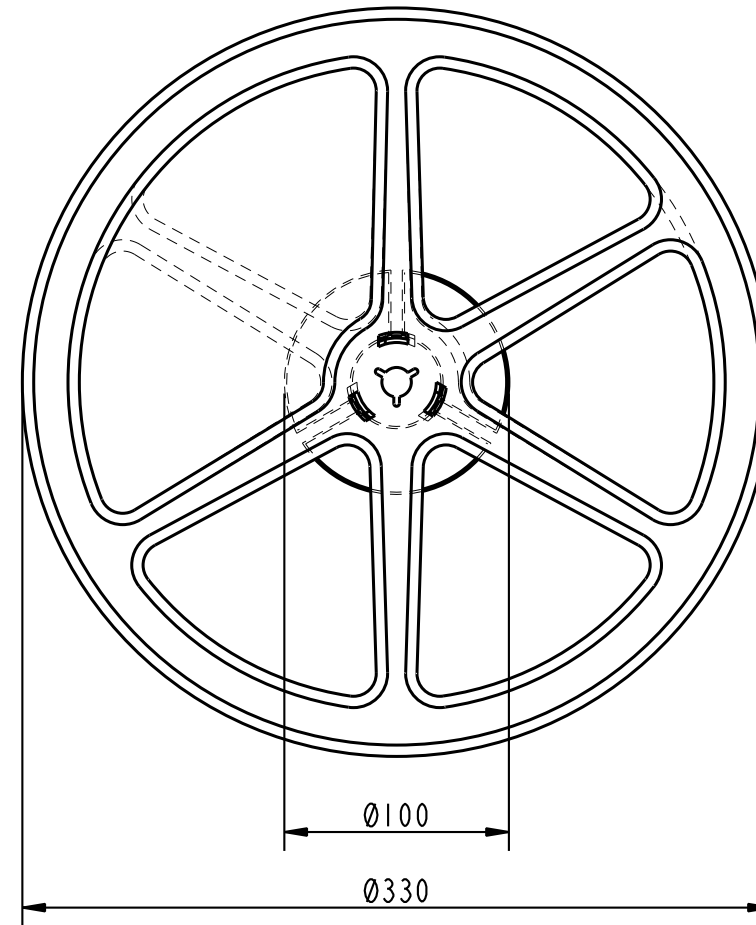
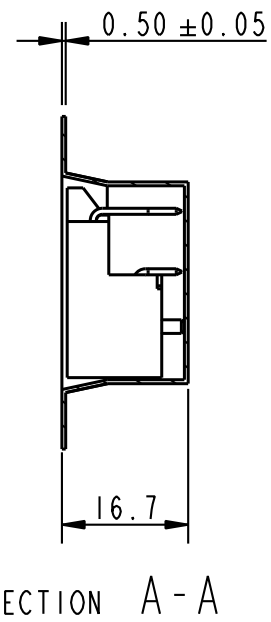
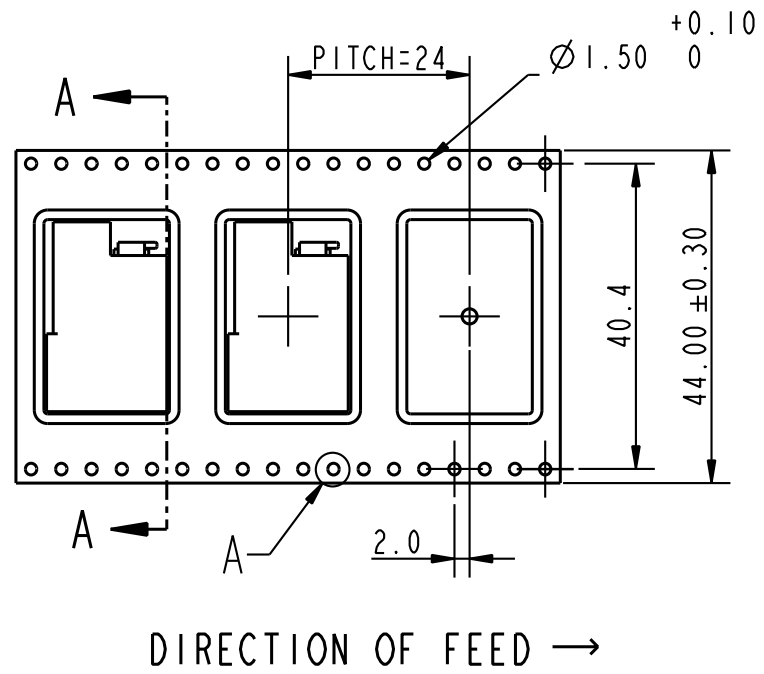
- MATERIAL :
- RESIN - LCP, GLASS FILLED, FLAME RETARDANT ACC
FLAMMABILITY CLASSIFICATION - UL94-V0
- SIGNAL & POWER CONTACTS - COPPER ALLOY
- PLATING :
- PURE TIN ON POWER CONTACTS
- PRODUCT SPECIFICATION: GS-12-1334
- APPLICATION SPECIFICATION: GS-20-0454
- PACKAGING - TAPE & REEL
PACKAGING SPECIFICATION: GS-XX-XXX
- UNDER PLATING FOR CONTACTS IS 1.27µm NICKEL.
- PRODUCT WILL WITHSTAND EXPOSURE TO 260° FOR 60 SECONDS IN A CONVECTION, INFRA RED OR VAPOUR PHASE REFLOW OVEN
- PRODUCT WHERE THE PARTNUMBER ENDS IN LF MEETS EUROPEAN DIRECTIVES AND OTHER COUNTRY REGULATIONS AS DESCRIBED IN GS-47-0004.



	POWER PTH DETAILS
DRILLED HOLE	1.37-1.42mm
COPPER PLATING	25-50µm
TIN PLATING	0.8-1.2µm
FINISHED HOLE DIA	1.25-1.35mm

spec ref	-	dr	Stalin Alosius	2015/09/23	projection	mm	size	A3	scale	2:1
tolerance std	ISO 406 ISO 1101	eng	Stalin Alosius	2016/02/23			ecn no	ELX-22463-4	rel level	Released
TOLERANCES UNLESS OTHERWISE SPECIFIED		chr	-	-						
surface	ISO 1302	appr	K-Paul Biju	2016/02/24	product family	METRAL HDXS	rel level	Released		
	linear	0.X	±0.3	Amphenol FCI	POWER OCTIS RA BC WITH COMBO HSG		dwg no	10131868-104	rev	B
		0.XX	±0.10		2 PWR PIP TERMINATION					
	angular	0°	±2°		cat. no.	-	Product - Customer Drw	sheet 2 of 4		

PACKAGING SPECIFICATION



TAPE & REEL PACKING DETAILS

NOTES:

- CONNECTORS PACKED PER REEL : 150 PIECES
- PACKAGING DETAILS AS PER EIA-481 STD.
- PACKING SHOULD BE ANTISTATIC.
- MATERIAL :
CARRIER TAPE : POLYSTYRENE
COVER TAPE : POLYSTYRENE

spec ref	-	dr	Stalin Alosius	2015/09/23	projection	mm	size	A3	scale	2:1
tolerance std	ISO 406 ISO 1101	eng	Stalin Alosius	2016/02/23			ecn no	ELX-22463-4	rel level	Released
TOLERANCES UNLESS OTHERWISE SPECIFIED		chr	-	-						
surface	linear	0.X	±0.3	Amphenol FCI	POWER OCTIS RA BC WITH COMBO HSG 2 PWR PIP TERMINATION		dwg no 10131868-104	rev B	Product - Customer Drw	
		0.XX	±0.10							
		0.XXX	±0.050							
ISO 1302	angular	0°	±2°	cat. no.	Product - Customer Drw		sheet 3 of 4			

Amphenol
FCi

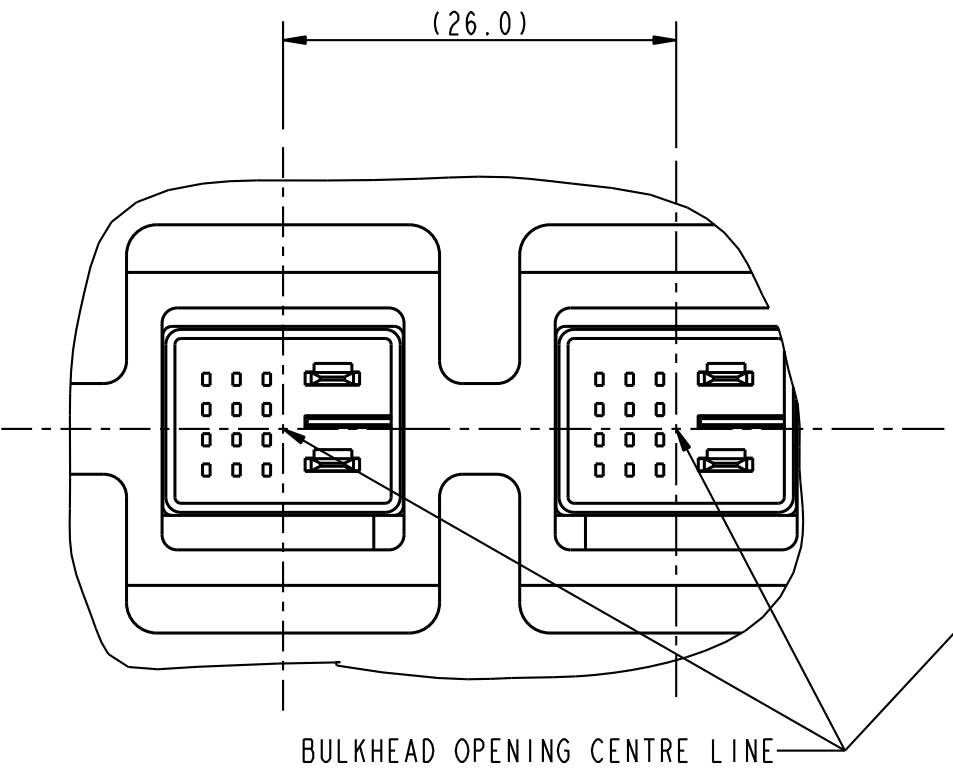
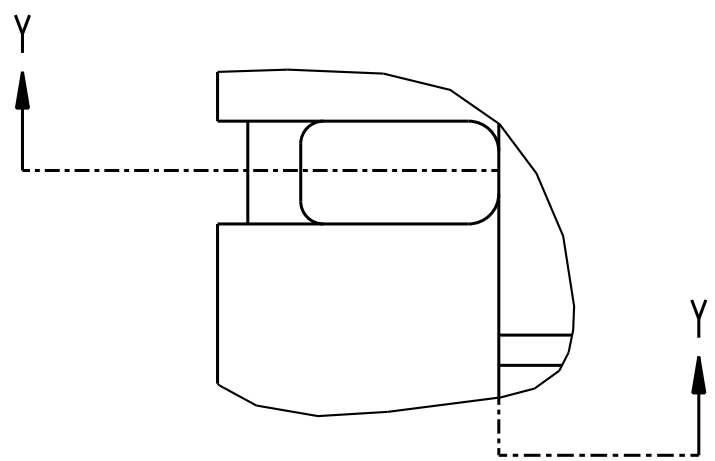
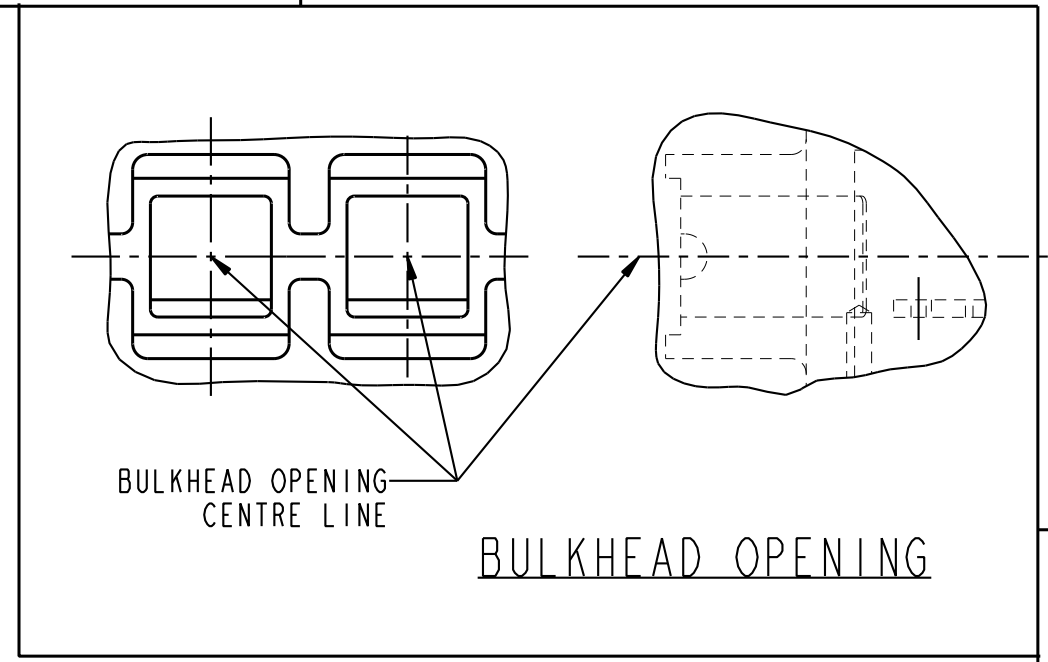
© 2016 AFCI

A

B

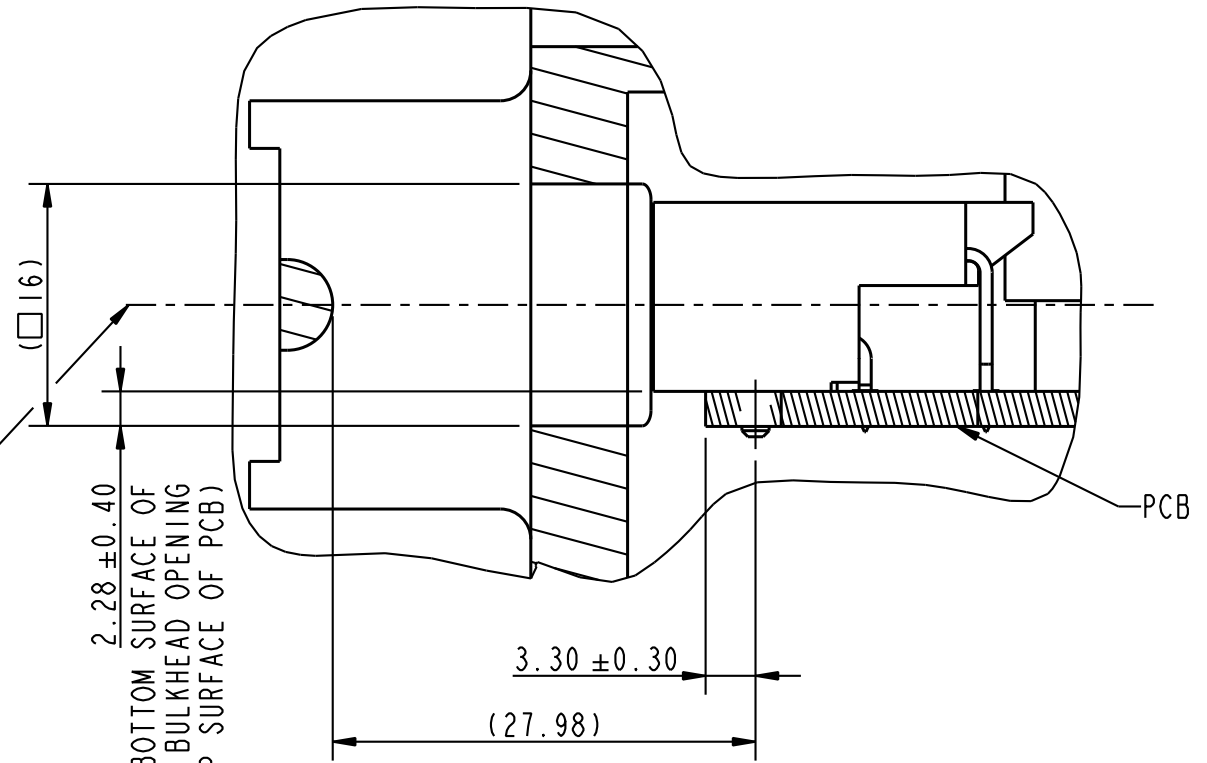
C

D



SCALE 2:1

BOARD CONNECTOR WITH BULKHEAD



spec ref -		dr	Stalin Alosius	2015/09/23	projection	mm	size	A3	scale	1:2
tolerance std		TOLERANCES UNLESS OTHERWISE SPECIFIED					ecn no	ELX-22463-4	rel level	Released
ISO 406	ISO 1101	eng	Stalin Alosius	2016/02/23						
surface		linear	0.X	±0.3	product family		METRAL HDXS		title POWER OCTIS RA BC WITH COMBO HSG 2 PWR PIP TERMINATION cat. no. -	
		angular	0°	±2°	dwg no 10131868-104 rev B		Product - Customer Drw		sheet 4 of 4	

X-ON Electronics

Largest Supplier of Electrical and Electronic Components

Click to view similar products for [Hard Metric Connectors](#) category:

Click to view products by [Amphenol](#) manufacturer:

Other Similar products are found below :

[6345127-1](#) [646916-9](#) [6469658-1](#) [973108](#) [1-2000713-0](#) [1-2000713-2](#) [1-2000713-3](#) [1645343-1](#) [1645456-1](#) [1645594-1](#) [1645595-1](#) [1645601-1](#)
[1934822-1](#) [278071110010833](#) [1645179-1](#) [1645245-1](#) [1645457-1](#) [1645525-1](#) [1645570-1](#) [1645596-1](#) [17041102202](#) [1857470-1](#) [1934275-1](#)
[1934289-1](#) [1934759-1](#) [2170292-2](#) [2-536642-6](#) [3-106015-1](#) [352188-1](#) [352629-1](#) [5120823-1](#) [5120899-1](#) [3-100145-0](#) [3-100147-0](#) [3-100669-1](#)
[5646530-1](#) [3-352049-0](#) [3-352069-0](#) [3-352115-0](#) [3-352638-0](#) [352189-1](#) [3-646357-0](#) [3-646487-0](#) [3-646513-0](#) [106726-1](#) [114619](#) [64782](#)
[5120995-1](#) [2102272-1](#) [1645527-2](#)