

PRODUCT DESCRIPTION CODE :

10131931-YXXXLF

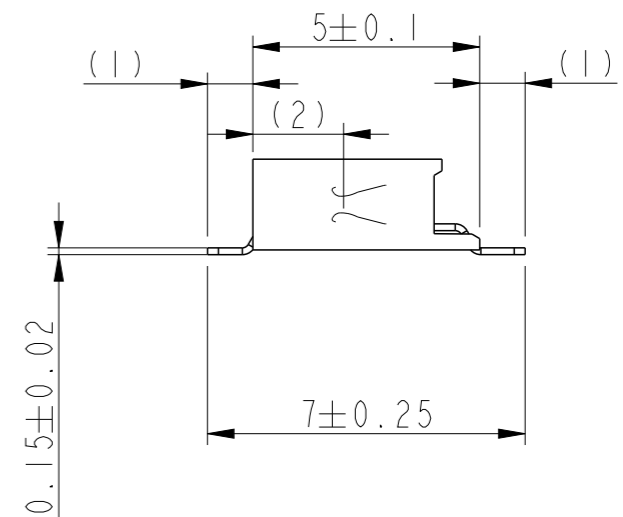
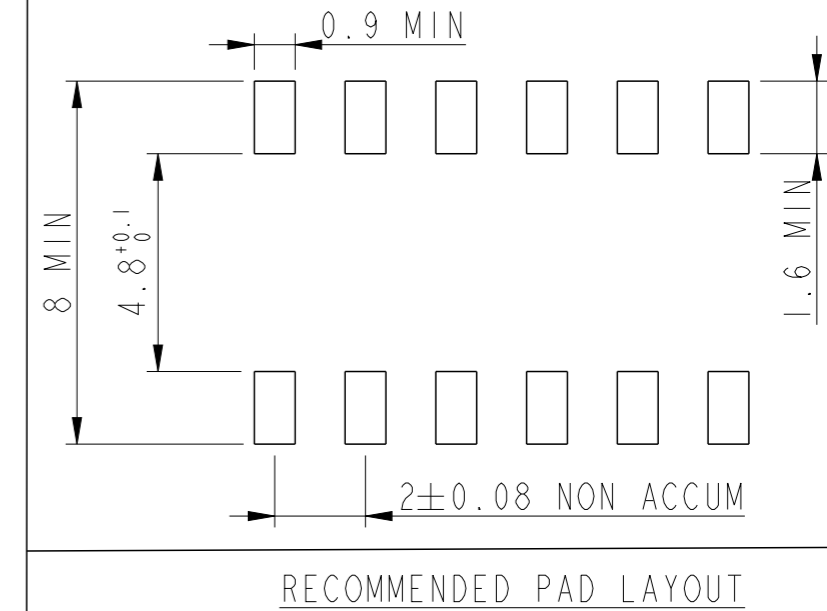
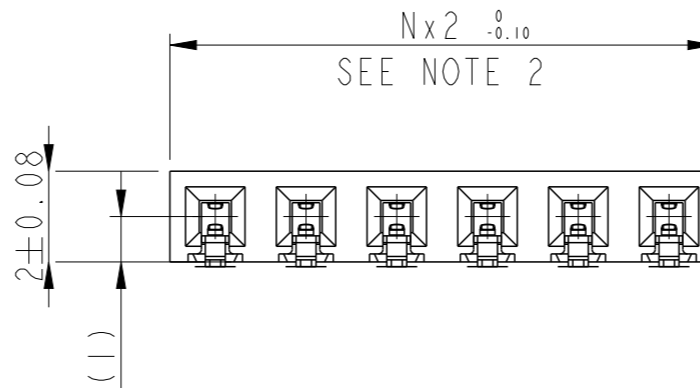
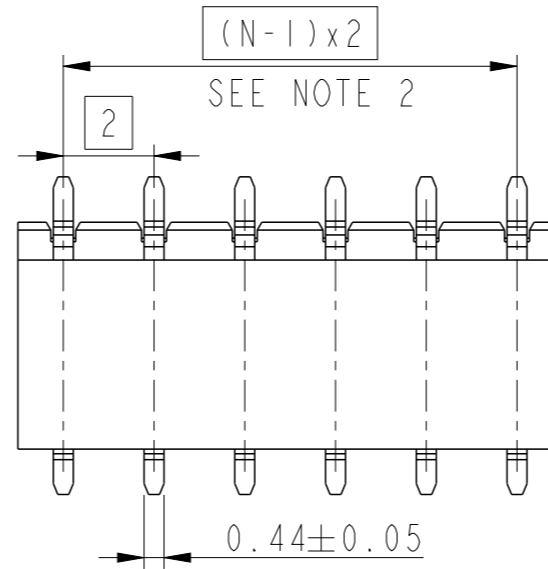
PLATING :

- 1 = 0.76 μm GOLD ON CONTACT AREA
2.54μm MIN MATTE TIN ON TAIL
- 2 = 0.38μm GOLD ON CONTACT AREA
2.54μm MIN MATTE TIN ON TAIL
- 3 = 0.20μm GOLD ON CONTACT AREA
2.54μm MIN MATTE TIN ON TAIL
- 4 = 0.76 μm GXT ON CONTACT AREA
2.54μm MIN MATTE TIN ON TAIL
- 5 = 0.38μm GXT ON CONTACT AREA
2.54μm MIN MATTE TIN ON TAIL
- 6 = 0.20μm GXT ON CONTACT AREA
2.54μm MIN MATTE TIN ON TAIL
- 9 = 2.54μm MIN MATTE TIN FULL PLATED
1.27μm NICKEL MIN UNDERLAYER

RoHS COMPATIBLE, SEE NOTE 3
 PACKAGING : "A" : TAPE & REEL
 "U" : TUBE
 TOTAL NUMBER OF POSITIONS 02 TO 25

NOTES :

- 1- MATERIAL
 HOUSING : HIGH TEMPERATURE GLASS FILLED FLAME
 RETARDANT PER UL 94 V-0
 TERMINAL: COPPER ALLOY
- 2- TO DETERMINE DIMENSIONS :
 N = NUMBER OF POSITIONS PER ROW
 EXAMPLE : 8 POS N x 2 = 16mm
 UP TO N = 12 TOLERANCE : 0
 FROM N = 13 TOLERANCE : 0.05
 -0.10
- 3 - RoHS COMPATIBLE PRODUCT SPECIFICATIONS
 - a - PLATING :
 "LF" MEANS THE PRODUCT IS LEAD-FREE, 2μm MINIMUM MATTE
 TIN OVER 1.27μm MINIMUM NICKEL UNDERPLATE
 - b - MANUFACTURING PROCESS COMPATIBILITY
 THE HOUSING WILL WITHSTAND EXPOSURE TO 260°C PEAK
 TEMPERATURE FOR 30 SECONDS MAX IN A CONVECTION, INFRA-RED
 OR VAPOR PHASE OR REFLOW OVEN
 - c - LABELLING :
 MEETS PACKAGING SPECS AS PER GS-14-920
 - d - LEGAL STATEMENT : SEE GS-47-0004



PRELIMINARY

spec ref	GS-12-1326	dr	Cyril Jeune	2014/12/02	projection	mm	size	A3	scale	6:1
tolerance std	ISO 406 ISO 1101	eng	Cyril Jeune	2015/11/18			ecn no	-	rel level	Preliminary
surface	linear	chr	-	-			product family	-	rel level	Preliminary
	angular	appr	-	-			dwg no	10131931	rev	2
ISO 1302	0.X ± 0.XX ± 0.XXX ± 0° ±	www.fci.com	cat. no.	-	MINITEK RECEPTACLE 2MM ASSEMBLY HCC SR SMT		Product - Customer Drw		sheet 1 of 1	

X-ON Electronics

Largest Supplier of Electrical and Electronic Components

Click to view similar products for [Headers & Wire Housings](#) category:

Click to view products by [Amphenol](#) manufacturer:

Other Similar products are found below :

[892-18-020-10-001101](#) [58102-G61-06LF](#) [582553-1](#) [0009485154](#) [009176003701906](#) [0050291907](#) [LY20-4P-DT1-P1E-BR](#) [02.125.8002.8](#)
[609-3404](#) [61062-3](#) [622-0430](#) [622-3653LF](#) [63453-116](#) [636-1030](#) [636-1427](#) [636-3427](#) [636-4007](#) [641938-9](#) [641991-4](#) [644827-2](#) [65817-010LF](#)
[65817-015LF](#) [65863-015LF](#) [66207-023LF](#) [67095-007LF](#) [67601157](#) [68648-049](#) [70.362.1628.0](#) [70-4210](#) [70-4226B](#) [70-4853B](#) [707-5020](#) [707-](#)
[5028](#) [71.350.2428.0](#) [71918-208LF](#) [71961-016LF](#) [733-134](#) [733-162](#) [754199-000](#) [760-3052](#) [787-8014-00](#) [79531-3000](#) [FCN-360C032-B](#) [FCN-](#)
[367T-T012/H](#) [FCN-723D010/2](#) [80.063.4001.1](#) [800-90-001-10-001000](#) [800-90-010-10-002000](#) [801-43-002-10-013000](#) [801-43-006-10-002000](#)