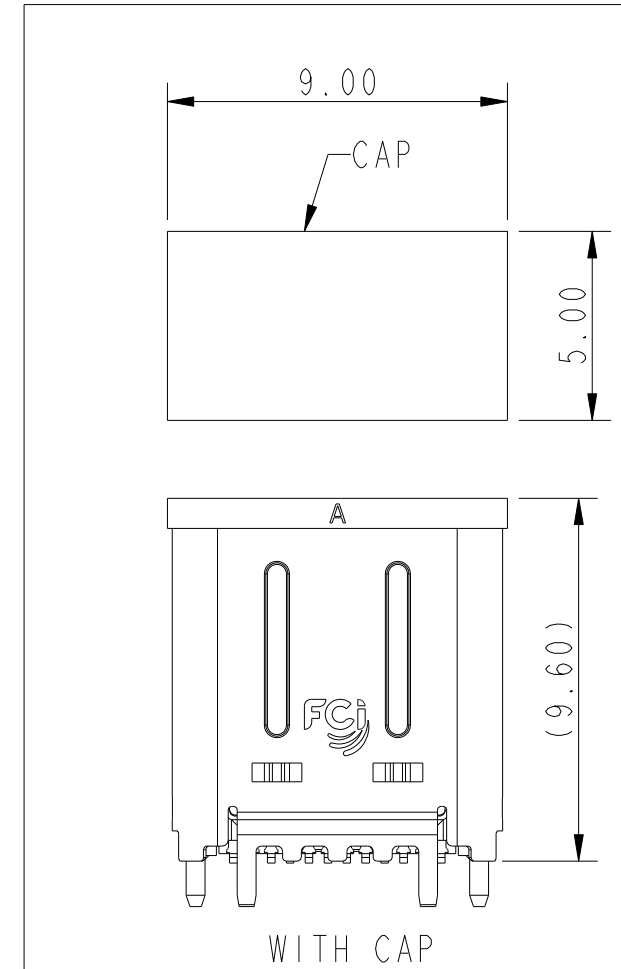
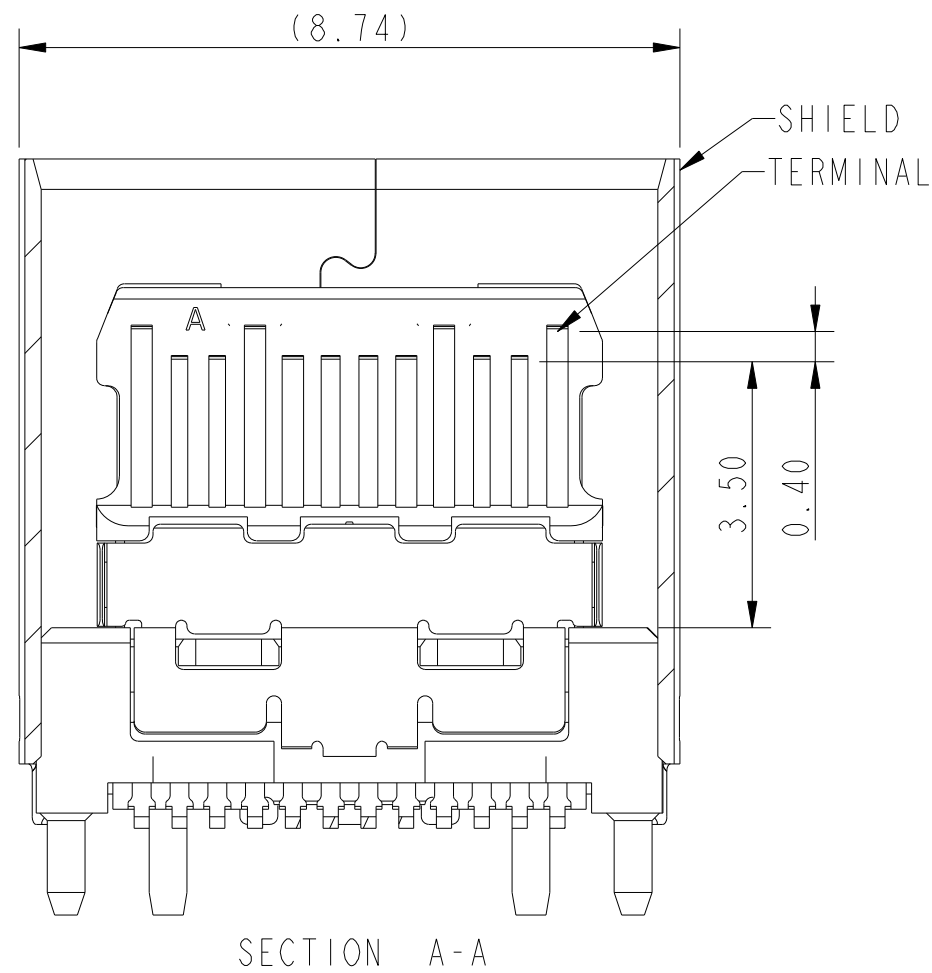
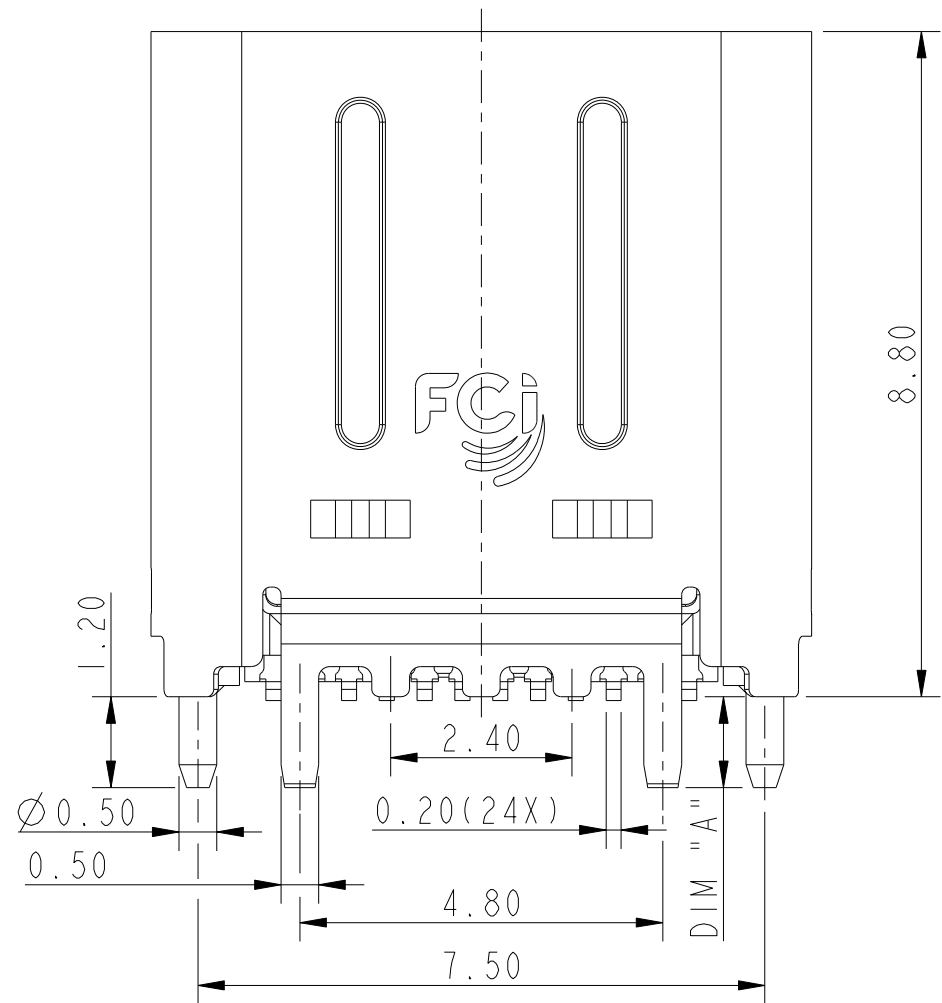
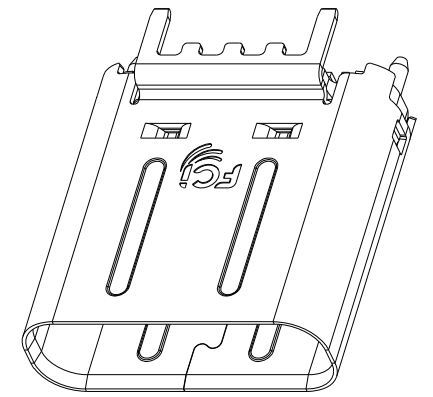
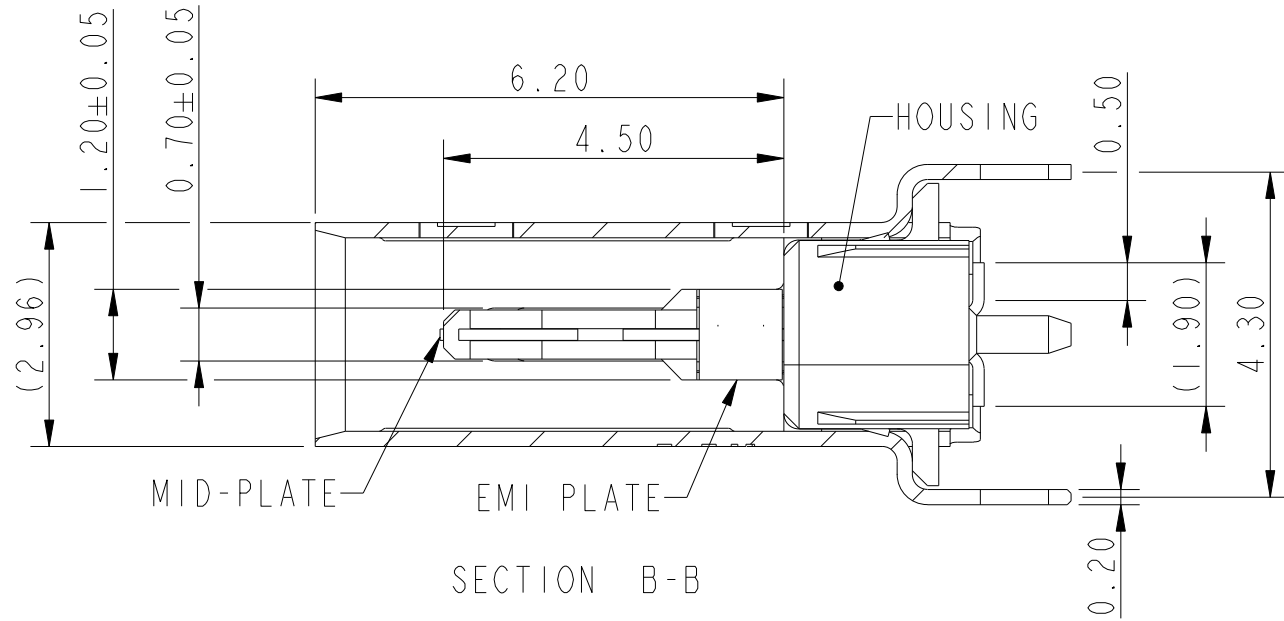
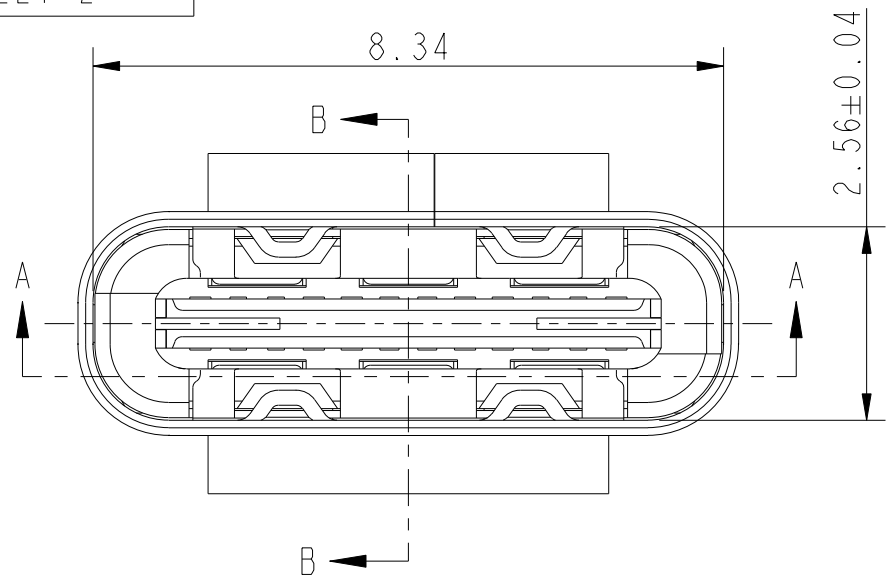


PART NUMBER  
SEE SHEET 2



|                                       |                     |       |             |                      |            |          |                |                        |              |          |
|---------------------------------------|---------------------|-------|-------------|----------------------|------------|----------|----------------|------------------------|--------------|----------|
| spec ref                              | -                   | dr    | Li-Qing Lei | 2014/11/20           | projection | mm       | size           | A3                     | scale        | 10:1     |
| tolerance std                         | ISO 406<br>ISO 1101 | eng   | Li-Qing Lei | 2017/01/05           |            |          | ecn no         | -                      | rel level    | Released |
| TOLERANCES UNLESS OTHERWISE SPECIFIED |                     | chr   | -           | -                    |            |          | product family | -                      | rel level    | Released |
| surface                               | ISO 1302            | appr  | Tim Yao     | 2017/01/05           |            |          | dwg no         | 10132328               | rev          | A        |
|                                       | linear              | 0.X   | ±0.25       | USB3.1 Type-C        |            | cat. no. | -              | Product - Customer Drw | sheet 1 of 3 |          |
|                                       |                     | 0.XX  | ±0.15       | Vertical, Receptacle |            |          |                |                        |              |          |
|                                       |                     | 0.XXX | ±0.10       |                      |            |          |                |                        |              |          |
|                                       | angular             | 0°    | ±2°         |                      |            |          |                |                        |              |          |

NOTE:

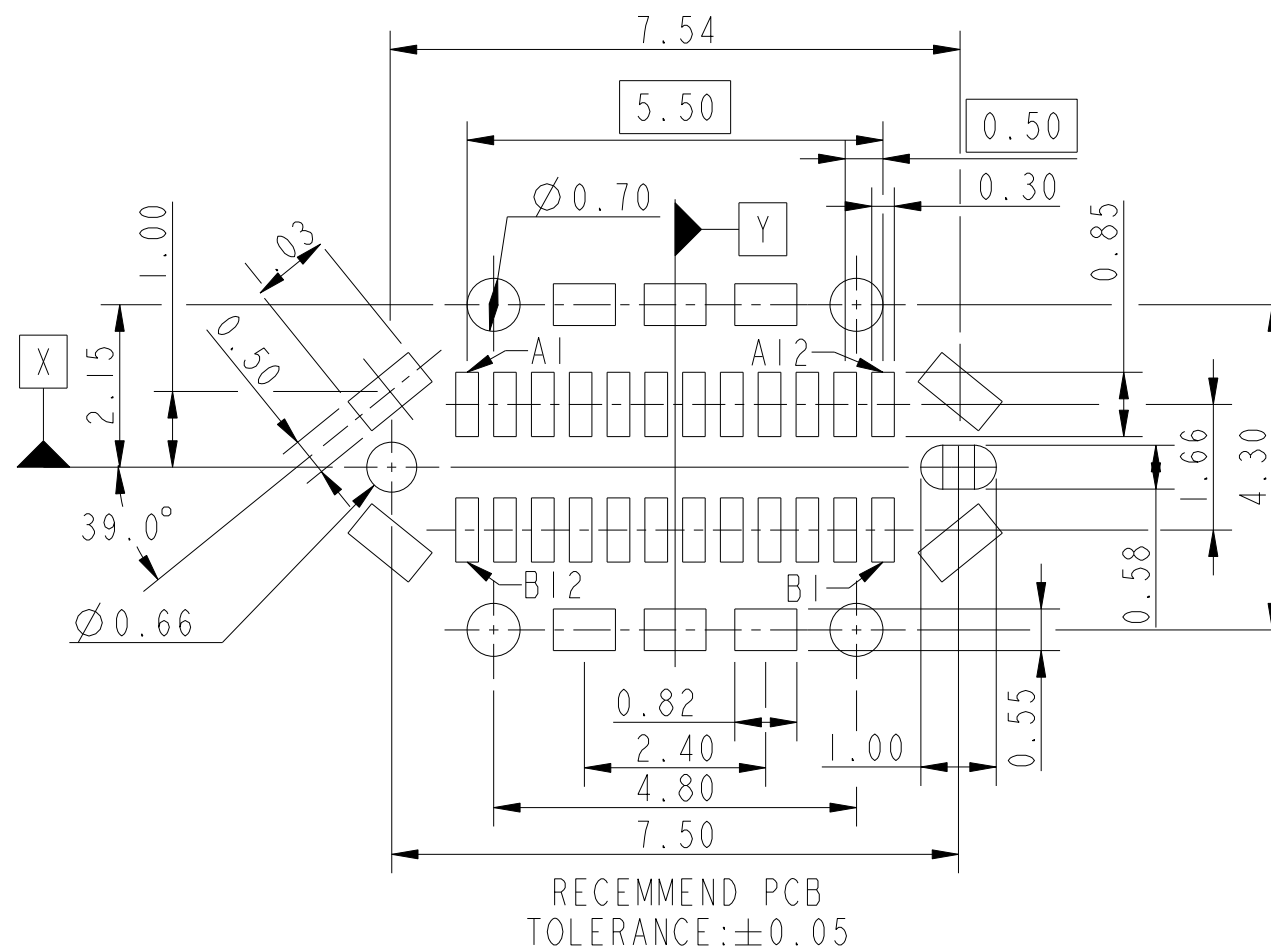
1. MATERIAL:
  - 1.1 HSG: THERMOPLASTIC, BLACK, UL94-V0
  - 1.2 TERMINAL: COPPER ALLOY
  - 1.3 EMI PLATE: STAINLESS STEEL
  - 1.4 MID PLATE: STAINLESS STEEL
  - 1.5 SHIELD: STAINLESS STEEL
2. PLATING:
  - 2.1 TERMINAL: (Min) 0.05 um Au + (Min) 0.75 um Ni-Pd ON CONTACT AREA
  - 2.2 SHELL: PLATING 0.74um MIN Ni OVER AREA.
  - 2.3 EMI: PLATING 0.74um MIN Ni OVER AREA.
  - 2.4 CENTER PLATE: PLATING 0.74 MIN Ni OVER AREA.
3. MECHANICAL CHARACTER:
  - 3.1 INSERTION FORCE: 5~20N;
  - 3.2 EXTRACTION FORCE: 8~20N INITIAL, 6~20N AFTER DURABILITY;
  - 3.3 DURABILITY: 10,000 CYCLES;
  - 3.4 OPERATION TEMPERATURE: -55°C TO +85°C
4. ELECTRICAL CHARACTER:
  - 4.1 LLCR : 40mΩ INITIAL, 50mΩ MAX AFTER ENVIRONMENT TEST;
  - 4.2 INSULATION RESISTANCE: 100MΩ MIN AT 250V DC.
  - 4.3 DIELECTRIC WITHSTAND VOLTAGE: 100VAC MIN.
5. THE HOUSING WILL WITHSTAND EXPOSURE TO 260°C PEAK TEMPERATURE FOR 20 SECONDS IN A CONVECTION, INFRA-RED OR VAPOR PHASE REFLOW ;
6. LEAD FREE PRODUCT MEETS EUROPEAN UNION DIRECTIVES AND OTHER COUNTRY REGULATIONS AS DISCRIBLED IN GS-22-008
7. PRODUCT SPEC: GS-12-1299
8. SOLDER TAILL TO BE COPLANAR WITHIN 0.10 TO EACH OTHER

PRODUCT NUMBER CODE:  
10132328-100XXLF

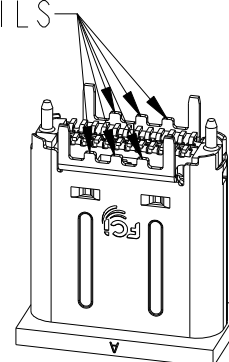
- THE LENGTH OF SHELL'S LEG OPTION
1. DIM"A"=1.2 WITH 6 SMT TAILS IN THE MIDDLE
  2. DIM"A"=1.6 WITH 6 SMT TAILS IN THE MIDDLE
  3. DIM"A"=1.2 WITHOUT 6 SMT TAILS IN THE MIDDLE
  4. DIM"A"=1.6 WITHOUT 6 SMT TAILS IN THE MIDDLE

- GROUND PIN STATUS (A1/A12/B1/B12)
0. SEPARATED
  1. CONNECTED

|                  |
|------------------|
| AVAILABLE P/N:   |
| 10132328-10001LF |
| 10132328-10011LF |
| 10132328-10013LF |



6 SMT TAILS



PIN ASSIGNMENTS

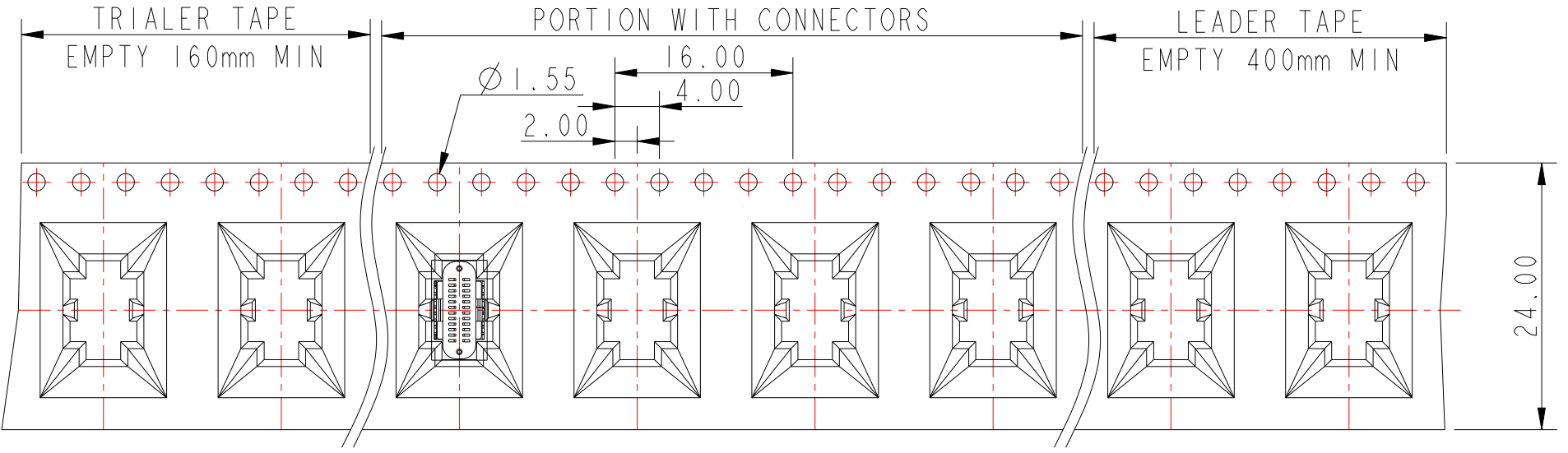
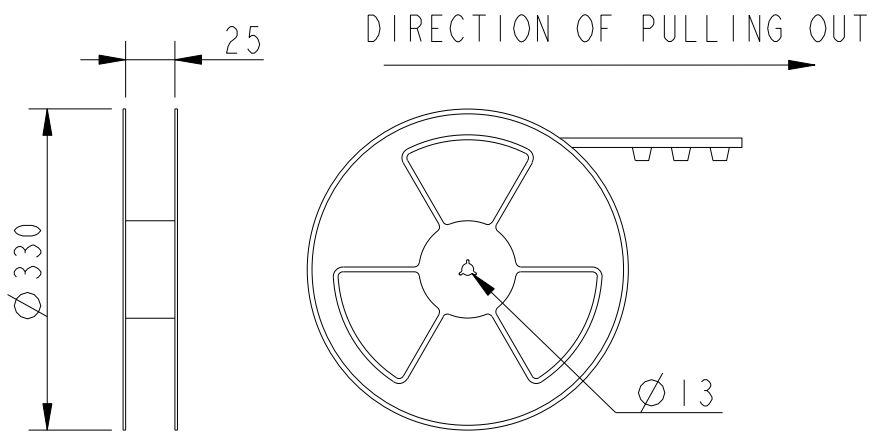
| PIN | SIGNAL NAME | PIN | SIGNAL NAME |
|-----|-------------|-----|-------------|
| A1  | GND         | B12 | GND         |
| A2  | SSTXp1      | B11 | SSRXp1      |
| A3  | SSTXn1      | B10 | SSRXn1      |
| A4  | VBUS        | B9  | VBUS        |
| A5  | CC1         | B8  | SBU2        |
| A6  | Dp1         | B7  | Dn2         |
| A7  | Dn1         | B6  | Dp2         |
| A8  | SBU1        | B5  | CC2         |
| A9  | VBUS        | B4  | VBUS        |
| A10 | SSRXn2      | B3  | SSTXn2      |
| A11 | SSRXp2      | B2  | SSTXp2      |
| A12 | GND         | B1  | GND         |

NOTE: TX AND RX ARE DEFINED FORM THE HOST PERSPECTIVE

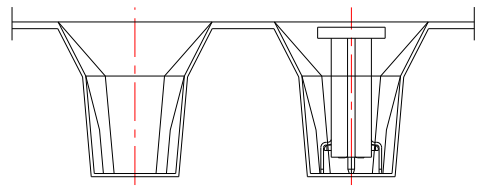
|                                       |                     |                      |             |               |                |                        |        |              |           |      |
|---------------------------------------|---------------------|----------------------|-------------|---------------|----------------|------------------------|--------|--------------|-----------|------|
| spec ref                              | -                   | dr                   | Li-Qing Lei | 2014/11/20    | projection     | mm                     | size   | A3           | scale     | 10:1 |
| tolerance std                         | ISO 406<br>ISO 1101 | eng                  | Li-Qing Lei | 2017/01/05    |                |                        | ecn no |              | rel level |      |
| TOLERANCES UNLESS OTHERWISE SPECIFIED |                     | chr                  | -           | -             |                |                        | -      |              | Released  |      |
| surface                               | linear              | appr                 | Tim Yao     | 2017/01/05    | product family |                        | dwg no |              | rev       |      |
|                                       | 0.X ±0.25           | Amphenol FCI         |             | USB3.1 Type-C |                | 10132328               |        | A            |           |      |
|                                       | 0.XX ±0.15          | Vertical, Receptacle |             | cat. no.      |                | Product - Customer Drw |        | sheet 2 of 3 |           |      |
|                                       | 0.XXX ±0.10         |                      |             |               |                |                        |        |              |           |      |
|                                       | angular 0° ±2°      |                      |             |               |                |                        |        |              |           |      |

TAPE REEL PACKAGE  
Q'TY: (350)EA/REEL

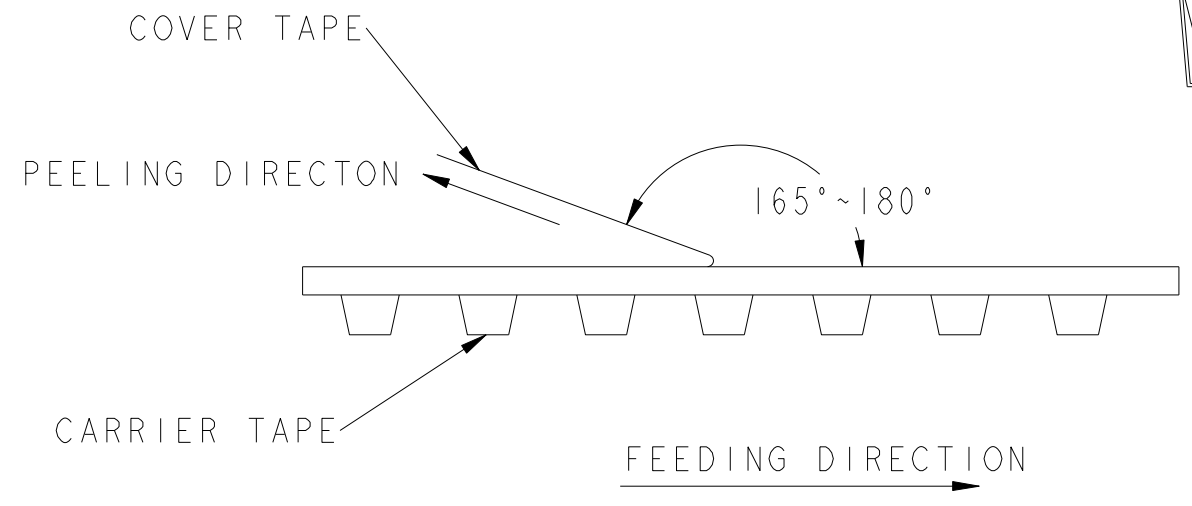
A



B



C



SHOWS THE METHOD OF COVER TAPE'S PEELING FORCE MEASUREMENT.  
PEELING FORCE MUST BE 0.1 TO 1.3N AT THE SPEED OF 300MM/MIN.

D

|                                       |                     |      |               |            |                |    |                                       |                    |           |                        |
|---------------------------------------|---------------------|------|---------------|------------|----------------|----|---------------------------------------|--------------------|-----------|------------------------|
| spec ref                              | -                   | dr   | Li-Qing Lei   | 2014/11/20 | projection     | mm | size                                  | A3                 | scale     | 1:1                    |
| tolerance std                         | ISO 406<br>ISO 1101 | eng  | Li-Qing Lei   | 2017/01/05 |                |    | ecn no                                | -                  | rel level | Released               |
| TOLERANCES UNLESS OTHERWISE SPECIFIED |                     | chr  | -             | -          |                |    |                                       |                    |           |                        |
| surface                               | ISO 1302            | appr | Tim Yao       | 2017/01/05 | product family |    | rel level                             | Released           |           |                        |
|                                       | linear              | 0.X  | $\pm 0.25$    |            | title          |    | USB3.1 Type-C<br>Vertical, Receptacle | dwg no<br>10132328 | rev<br>A  |                        |
|                                       |                     | 0.XX | $\pm 0.15$    |            | cat. no.       |    |                                       |                    |           | Product - Customer Drw |
|                                       | angular             | 0°   | $\pm 2^\circ$ |            | sheet 3 of 3   |    |                                       |                    |           |                        |

Amphenol FCI

© 2016 AFCI

## X-ON Electronics

Largest Supplier of Electrical and Electronic Components

*Click to view similar products for [USB Connectors](#) category:*

*Click to view products by [Amphenol](#) manufacturer:*

Other Similar products are found below :

[10033527-N3112MLF](#) [17-210561](#) [GMCB05B11124H1EU](#) [17-200931](#) [65-647-8-BK-BU](#) [690-010-295-484](#) [73725-1191BLF](#) [950](#) [E8144-B01021-L](#) [A-USB A-LP-SMT-C](#) [A-USB B-TOP-C](#) [MUSBA511N5](#) [MUSBB15131](#) [MUSBC111M5](#) [MUSBD11135](#) [217450-1](#) [CA 6 W LD](#)  
[896-30-004-00-000000](#) [KUSBVX-BS1N-W30](#) [KUSBX-AP-KIT-SCBLK](#) [KUSBX-AS2N-W](#) [KUSBX-SMT2AP1S-W](#) [KUSBX-SMTAS1NBTR](#) [KUSBX-SMTBS1NBTR](#) [30-498-6](#) [SK-60A-2](#) [17-200261](#) [17-210051](#) [1734082-1](#) [FK-37-32SL](#) [30-1574](#) [30-470](#) [30-489](#) [30-541](#) [30-572-3](#) [30-9503](#) [M9177/2-1](#) [MAB 5 S](#) [MIKROE-1451](#) [33UBBR-04SW11R](#) [USBFTV2PEM2G](#) [USBFTVC6ZN](#) [USBFTVSCCG](#)  
[KUSBX-AS2N-W30](#) [KUSBX-SLAS1N-W](#) [KUSBX-SLAS1N-W30](#) [1-1734084-2](#) [E8110-001-01](#) [MUSBC11135](#) [NK-27-32SL](#)