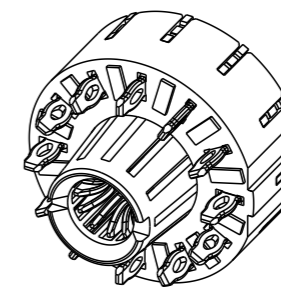
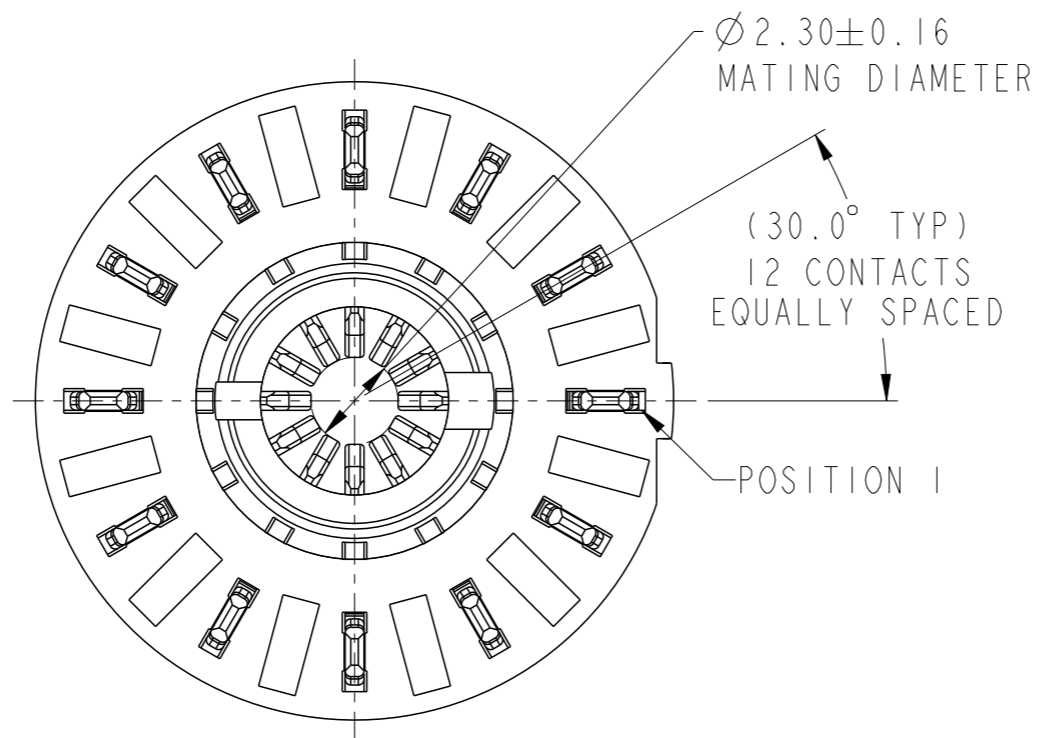
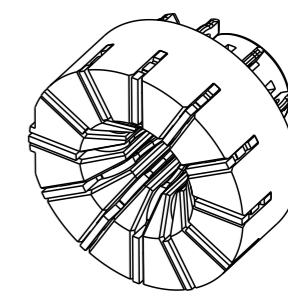


Product number

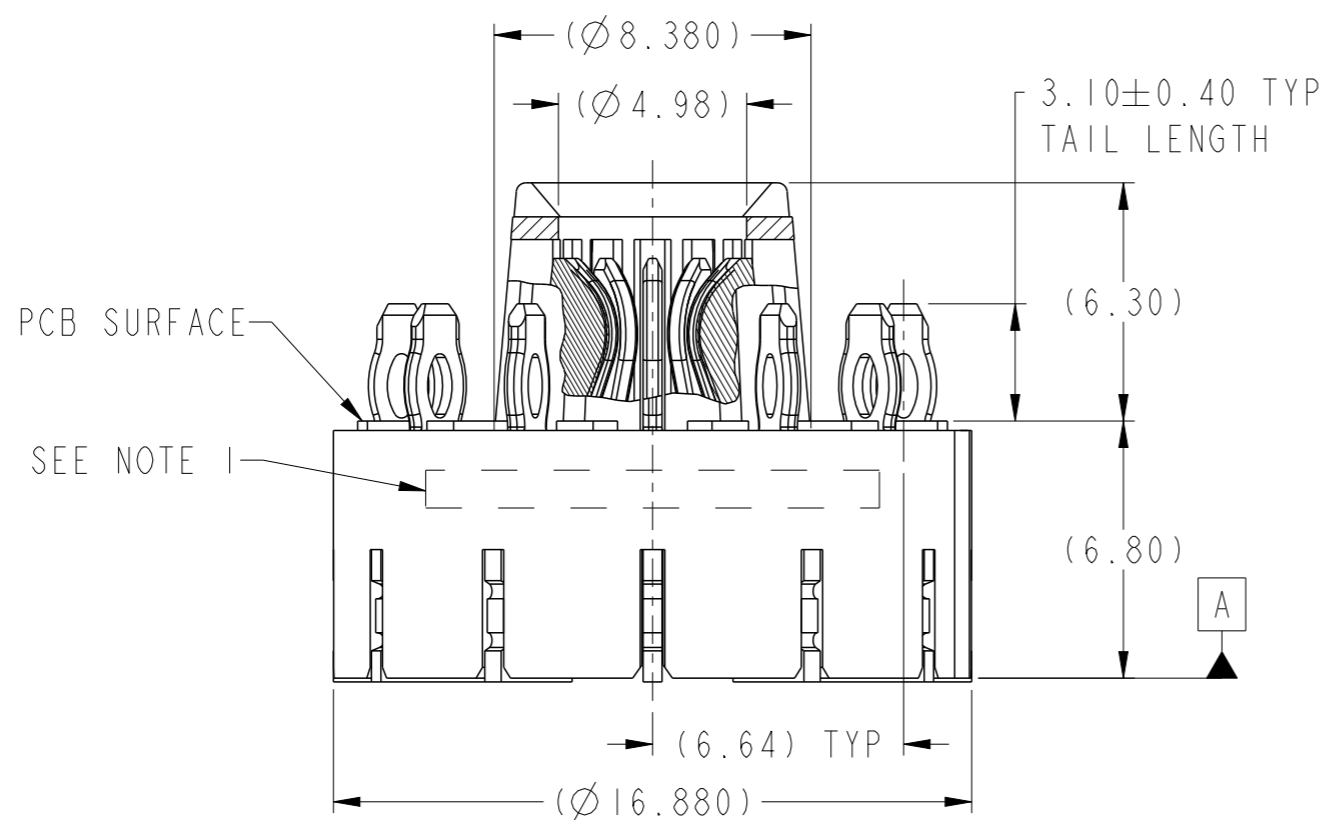
10132381-20360LF



SCALE 2:1



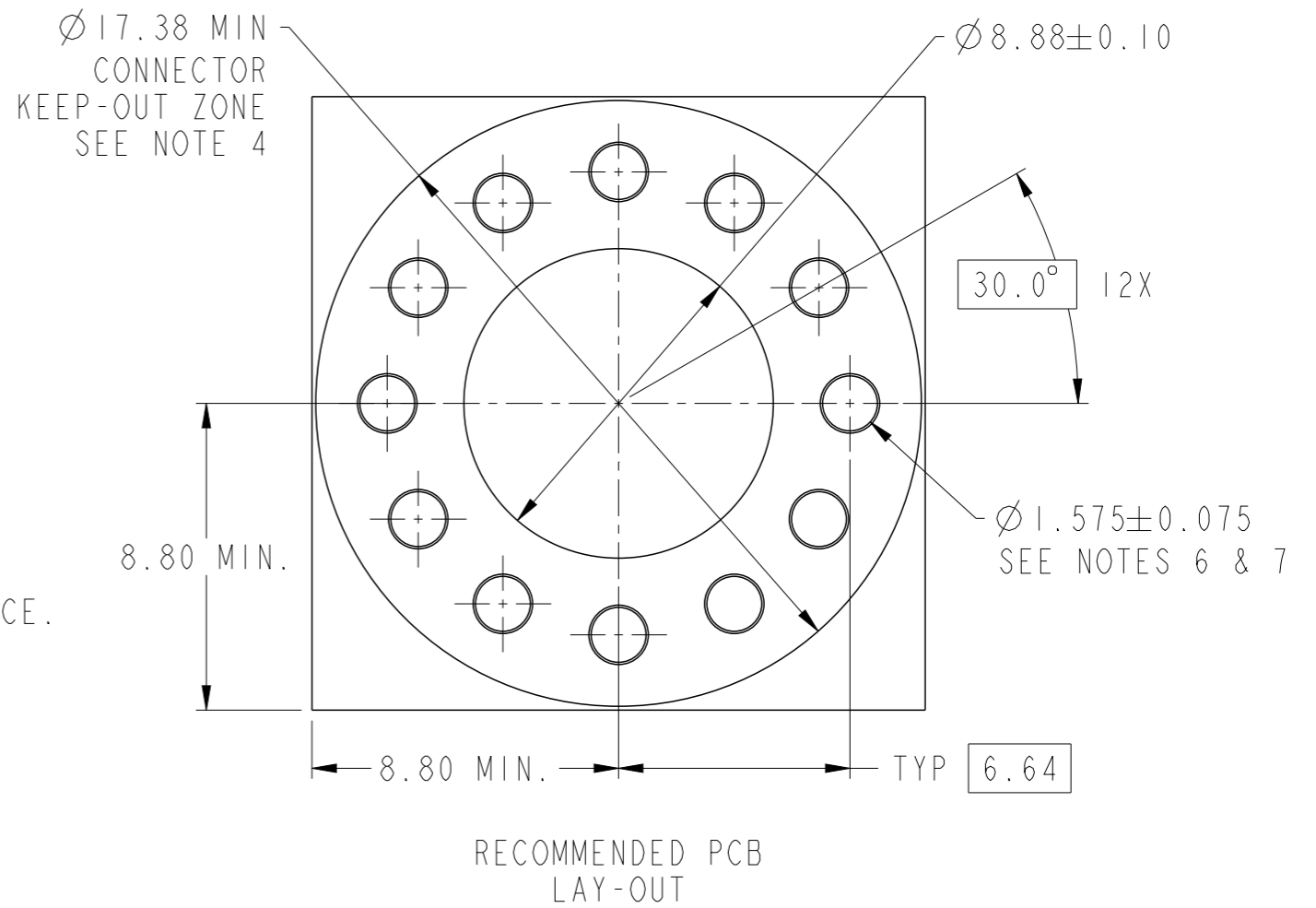
SCALE 2:1



spec ref	-	dr	T Brungard	2015/09/09	projection	mm	size	A3	scale	5:1
tolerance std	ISO 406 ISO 1101	eng	T Brungard	2015/12/02			ecn no	-	rel level	Released
TOLERANCES UNLESS OTHERWISE SPECIFIED		chr	-	2015/12/02						
surface	<input checked="" type="checkbox"/> linear <input type="checkbox"/> angular	0.X ±0.3 0.XX ±0.10 0.XXX ±0.050			ASSEMBLY FOR $\varnothing 3.60$ mm PIN VERT RECEPTACLE, SheerPwr Circular		dwg no 10132381-20360LF	rev A		
ISO 1302	angular	0° ±2°	www.fci.com	cat. no.	-	Product - Customer Drw	sheet 1 of 2			



Copyright FCI.



NOTES:

1. "FCI", PART NUMBER AND DATE CODE TO BE MARKED ON THIS SURFACE. THE P/N CAN BE OMITTED IF THERE IS NOT ENOUGH SPACE ON THIS SURFACE.
2. MATERIALS:
HOUSING - GLASS FILLED WITH HIGH TEMP POLYAMIDE, UL94V-0.
POWER CONTACTS - HIGH CONDUCTIVITY COPPER ALLOY.
3. PLATING SPECIFICATION - REFER TO FCI GS-15-0114.
4. DENOTES CONNECTOR KEEP OUT ZONE.
5. DATUMS AND BASIC DIMENSIONS ARE ESTABLISHED BY CUSTOMER.
6. ALL HOLE DIAMETERS ARE FINISHED HOLE SIZES.
7. 1.705±0.025mm DRILLED HOLE PLATED WITH 7.62µm MIN Sn OVER 25.4µm-76.2µm Cu PLATING TO ACHIEVE A 1.575±0.075mm FINISHED HOLE.
8. PRODUCT SPECIFICATION - REFER TO FCI GS-12-1316.
APPLICATION SPECIFICATION - REFER TO FCI GS-20-0467.
PRODUCT PACKAGE IN TRAYS - REFER TO FCI GS-14-2432.
9. CONNECTOR DESIGNED TO MATE WITH A Ø3.60±0.03mm MATING PIN. CONNECTOR CAN HANDLE A ±0.64mm PERMANENT MISALIGNMENT OF THE MATING PIN.
10. A SYMBOL WILL BE NEXT TO ANY DIMENSION, VIEW, OR NOTE WHICH HAS BEEN MODIFIED WITH THE CURRENT DRAWING REVISION.



Copyright FCI.

spec ref -		dr	T Brungard	2015/09/09	projection	mm	size	A3	scale	5:1
tolerance std		eng	T Brungard	2015/12/02		← →	ecn no		rel level	
ISO 406 ISO 1101		chr	-	-			-		Released	
surface		appr	C Kalivoski	2015/12/02	product family		SheerPwr		rev	
ISO 1302		TOLERANCES UNLESS OTHERWISE SPECIFIED		ASSEMBLY FOR Ø3.60mm PIN		10132381-20360LF		A		rev
linear		0.X ±0.3		VERT RECEPTACLE, SheerPwr Circular		www.fci.com		cat. no.		Product - Customer Drw
0.XX ±0.10		0.XXX ±0.050		angular		0° ±2°		sheet 2 of 2		

X-ON Electronics

Largest Supplier of Electrical and Electronic Components

Click to view similar products for [Heavy Duty Power Connectors](#) category:

Click to view products by [Amphenol](#) manufacturer:

Other Similar products are found below :

[647757-1](#) [6643411-1](#) [6646058-2](#) [6646137-1](#) [6646138-1](#) [6646479-1](#) [6646608-1](#) [6646786-1](#) [6646940-1](#) [6651091-1](#) [6651525-1](#) [6651529-1](#)
[6651788-1](#) [696475-1](#) [73000005059](#) [73000005642](#) [765-15-0080A](#) [765-16-0080B](#) [829992-1](#) [902-77-02113](#) [129-1J](#) [AN0024023](#) [E6374G1](#)
[e6389g2](#) [157-43GW8](#) [MS3117-14AC](#) [1643543-1](#) [1650540-1](#) [1651811-2](#) [1766260-1](#) [1766282-1](#) [1766966-1](#) [1791340000](#) [NLDFT-3-BL-L-](#)
[S120-M40A](#) [NLDFT-N-W-L-C240-M40B](#) [NLS-2-R-C240-M40B](#) [NLS-N-W-C240-M40B](#) [NPS-3-BL-T6](#) [1986615-1](#) [2-1589900-8](#) [2199314-1](#)
[KA8102](#) [9300480317](#) [SBS50BRN#6](#) [29131](#) [29652](#) [1646905-1](#) [1648320-1](#) [1648582-1](#) [1650195-2](#)