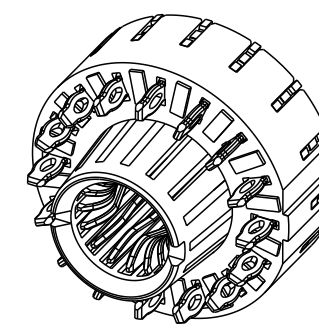
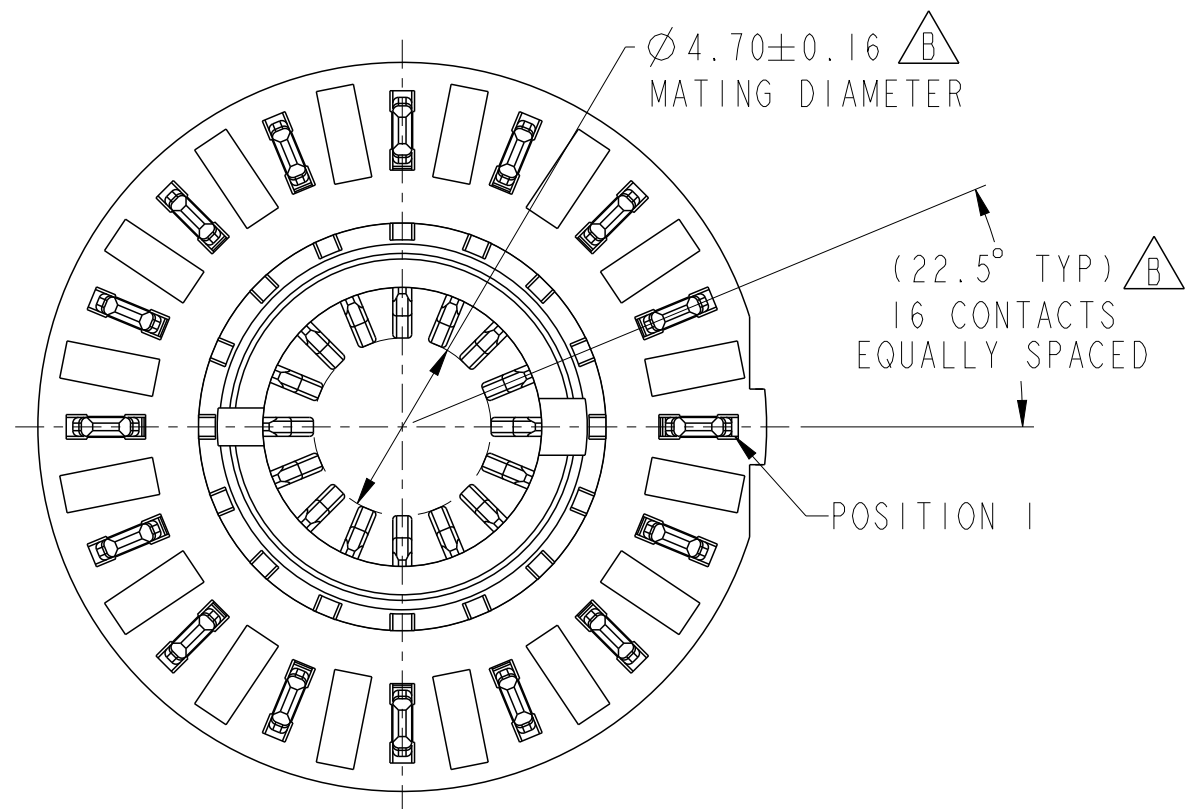
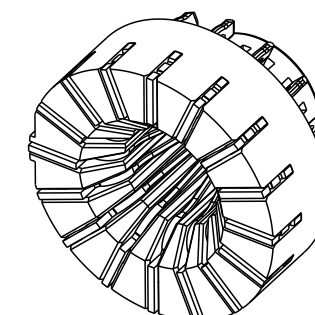


Product number

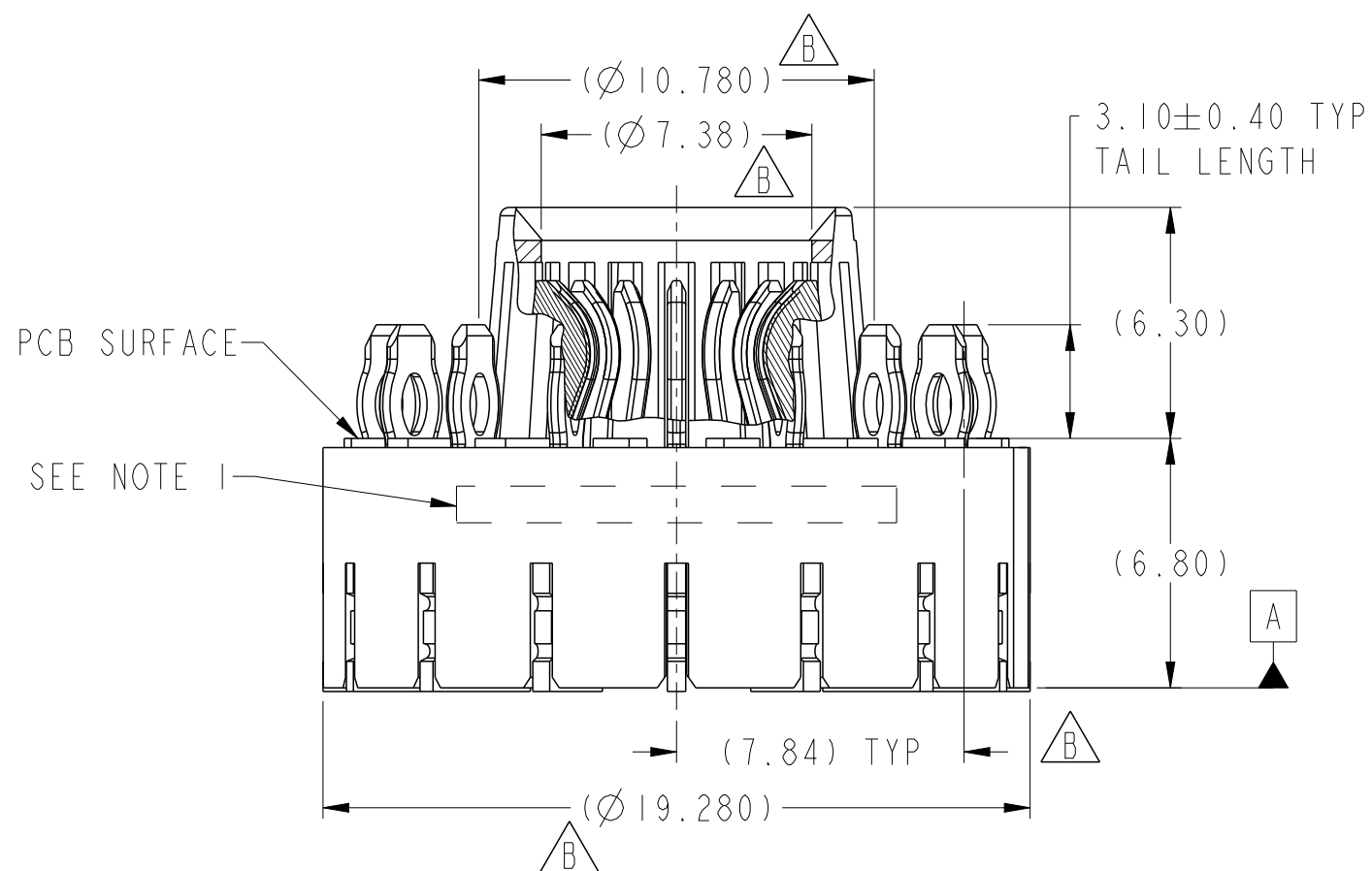
10132381-20600LF



SCALE 2:1



SCALE 2:1



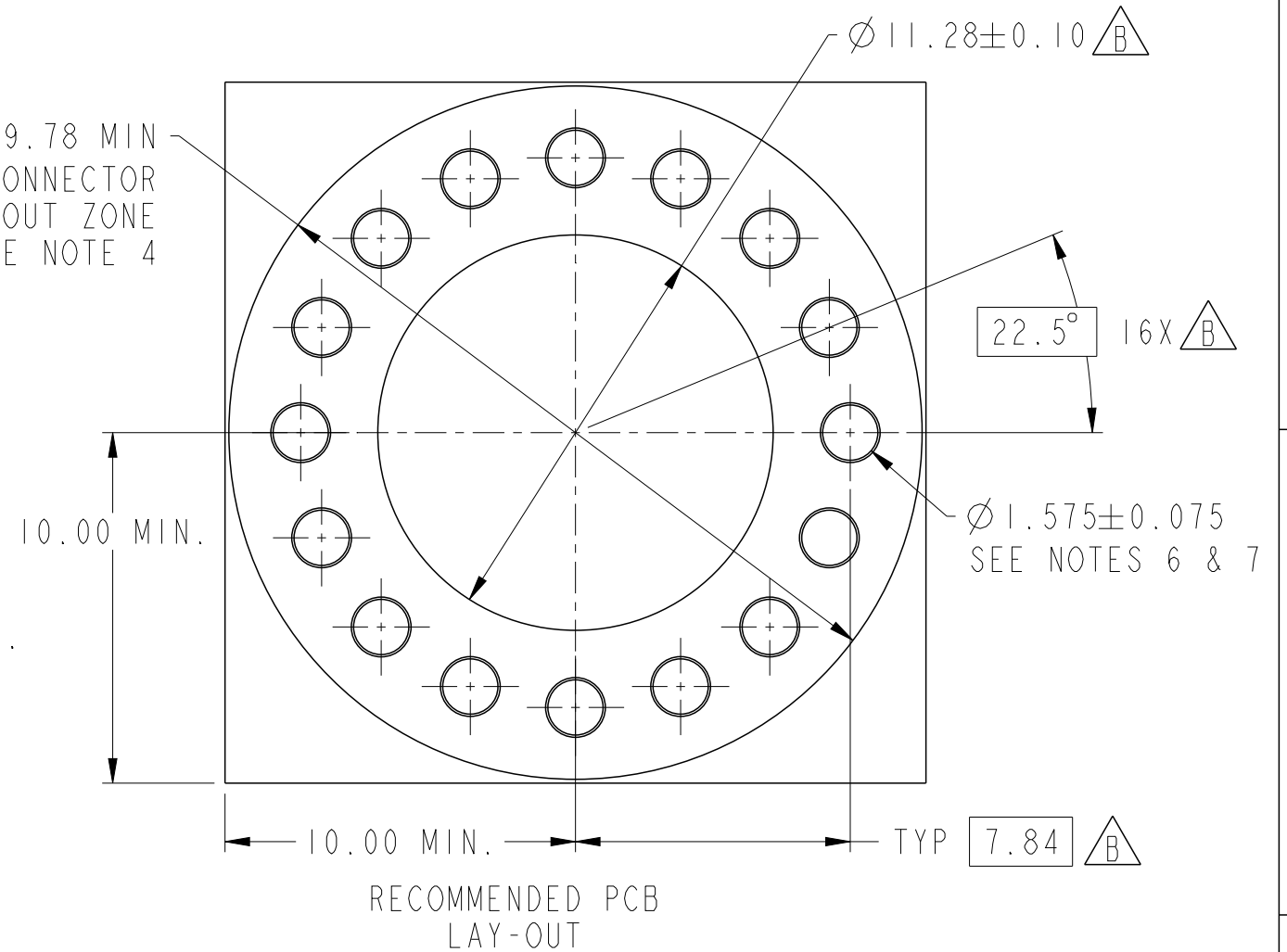
spec ref	-	dr	T Brungard	2015/05/13	projection		size	A3	scale	5:1
tolerance std	ISO 406 ISO 1101	eng	T Brungard	2015/11/20	mm	\longleftrightarrow	ecn no	ELX-V-22541-1	rel level	Released
surface	\checkmark	chr	-	-	product family	SheerPwr	rel level	Released		
ISO 1302	linear	0.X	±0.3		www.fci.com	ASSEMBLY FOR $\varnothing 6.00$ mm PIN VERT RECEPTACLE, SheerPwr Circular	dwg no	10132381-20600LF	rev	B
	angular	0°	±2°		cat. no.	-	Product - Customer Drw	sheet 1 of 2		



Copyright FCI.

NOTES:

- ① "FCI", PART NUMBER AND DATE CODE TO BE MARKED ON THIS SURFACE. THE P/N CAN BE OMITTED IF THERE IS NOT ENOUGH SPACE ON THIS SURFACE.
- 2. MATERIALS:
HOUSING - GLASS FILLED WITH HIGH TEMP POLYAMIDE, UL94V-0.
POWER CONTACTS - HIGH CONDUCTIVITY COPPER ALLOY.
- 3. PLATING SPECIFICATION - REFER TO FCI GS-15-0114.
- ④ DENOTES CONNECTOR KEEP OUT ZONE.
- 5. DATUMS AND BASIC DIMENSIONS ARE ESTABLISHED BY CUSTOMER.
- ⑥ ALL HOLE DIAMETERS ARE FINISHED HOLE SIZES.
- ⑦ 1.705±0.025mm DRILLED HOLE PLATED WITH 7.62µm MIN Sn OVER 25.4µm-76.2µm Cu PLATING TO ACHIEVE A 1.575±0.075mm FINISHED HOLE.
- ⑧ 8. PRODUCT SPECIFICATION - REFER TO FCI GS-12-1316.
APPLICATION SPECIFICATION - REFER TO FCI GS-20-0467.
PRODUCT PACKAGE IN TRAYS - REFER TO FCI GS-14-2432.
- ⑧ 9. CONNECTOR DESIGNED TO MATE WITH A Ø6.00±0.03mm MATING PIN. CONNECTOR CAN HANDLE A ±0.64mm PERMANENT MISALIGNMENT OF THE MATING PIN.
- 10. A $\triangle B$ SYMBOL WILL BE NEXT TO ANY DIMENSION, VIEW, OR NOTE WHICH HAS BEEN MODIFIED WITH THE CURRENT DRAWING REVISION.



Copyright FCI.

spec ref -		dr T Brungard 2015/05/13		projection		size A3		scale 5:1	
tolerance std ISO 406 ISO 1101		eng T Brungard 2015/11/20		mm		ecn no ELX-V-22541-1			
TOLERANCES UNLESS OTHERWISE SPECIFIED		chr -		product family SheerPwr		rel level Released			
surface ✓		appr C Kolivoski 2015/11/23		ASSEMBLY FOR Ø6.00mm PIN		dwg no 10132381-20600LF		rev B	
ISO 1302		www.fci.com		VERT RECEPTACLE, SheerPwr Circular		cat. no. -		Product - Customer Drw	
linear		0.X ±0.3							
		0.XX ±0.10							
		0.XXX ±0.050							
angular		0° ±2°							

X-ON Electronics

Largest Supplier of Electrical and Electronic Components

Click to view similar products for [Heavy Duty Power Connectors](#) category:

Click to view products by [Amphenol](#) manufacturer:

Other Similar products are found below :

[647757-1](#) [6643411-1](#) [6646058-2](#) [6646137-1](#) [6646138-1](#) [6646479-1](#) [6646608-1](#) [6646786-1](#) [6646940-1](#) [6651091-1](#) [6651525-1](#) [6651529-1](#)
[6651788-1](#) [696475-1](#) [73000005059](#) [73000005642](#) [765-15-0080A](#) [765-16-0080B](#) [829992-1](#) [902-77-02113](#) [129-1J](#) [AN0024023](#) [E6374G1](#)
[e6389g2](#) [157-43GW8](#) [MS3117-14AC](#) [1643543-1](#) [1650540-1](#) [1651811-2](#) [1766260-1](#) [1766282-1](#) [1766966-1](#) [1791340000](#) [NLDFT-3-BL-L-](#)
[S120-M40A](#) [NLDFT-N-W-L-C240-M40B](#) [NLS-2-R-C240-M40B](#) [NLS-N-W-C240-M40B](#) [NPS-3-BL-T6](#) [1986615-1](#) [2-1589900-8](#) [2199314-1](#)
[KA8102](#) [9300480317](#) [SBS50BRN#6](#) [29131](#) [29652](#) [1646905-1](#) [1648320-1](#) [1648582-1](#) [1650195-2](#)