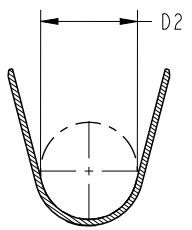


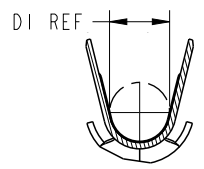
Amphenol
FCi

© 2016 AFci

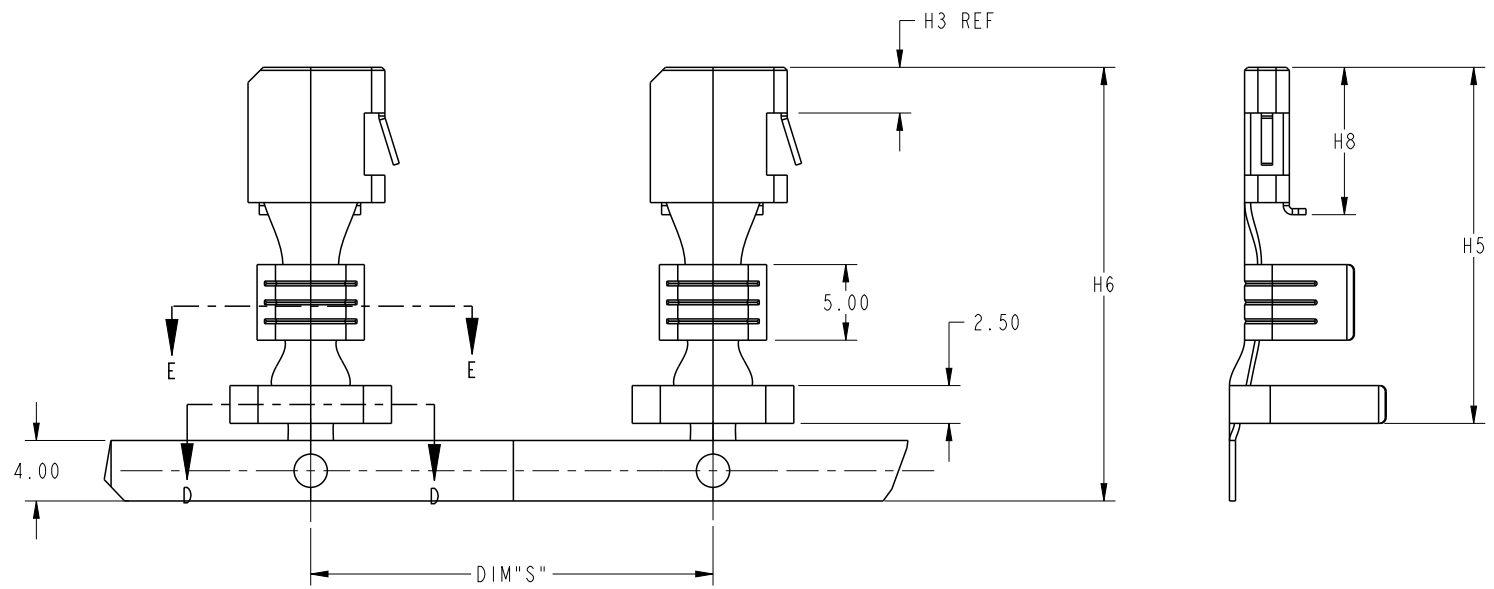
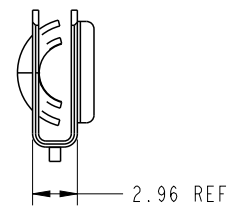
PRODUCT NUMBER
10132418-30XXILF



SECTION D-D



SECTION E-E



spec ref	*	dr	Ruan MT	2014/11/20	projection 	MM ←→	size	A4	scale	1:1	
tolerance std	TOLERANCES UNLESS OTHERWISE SPECIFIED	eng	Ruan MT	2017/09/28			ecn no	ELX-DG-27219-1			
		chr	Fancy Zhang	2017/09/28				rel level	Released		
surface	linear	0.X	±0.15	Amphenol FCi			product family		title	CABLE POWER CONTACT RECEPTACLE-FORMING	dwg no
		0.XX	±0.10								
		0.XXX	±0.05								
	angular	0°	±2°	cat. no.	*	Product - Customer Drw	sheet 1 of 2				

Creo File - REV E - 2016-02-12

PRODUCT NUMBER
10132418-30XXILF

NOTES:

1. PRODUCT NUMBERING CODE:
10132418-3 0 XX ILF

DIM 'X' (SHOWN IN TABLE 1)

PLATING SPECIFICATION (NOTE 2)

2. PLATING SPECIFICATION:

3= 30u" GXT OVER 50u" Ni ON CONTACT AREA,
AND 80u" Sn OVER 50u" Ni ON TERMINATION AREA.

3. PART NUMBER 10132418-30XXILF MEET EUROPEAN DIRECTIVE
AND OTHER COUNTRY REGULATIONS AS DESCRIBED IN GS-22-008.

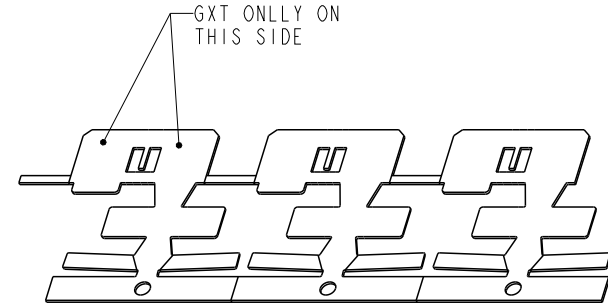
4. 10132418-*****LF APPLICABLE HOUSING: 10066440-DGC****.

5. PRODUCT SPEC: GS-12-474.

6. APPLICATION SPEC: GS-20-0445.

7. THE PART IS BEEN SOLD AS LOOSE PIECE AND FCI GUARANTEES IS
THE PART IN COMPLIANCE WITH THIS CUSTOMER DRAWING STATEMENT.
THE PRODUCT SPEC FOR CABLE ASSEMBLY CAN BE ONLY AS THE REFERENCE
DOCUMENT BECAUSE THE TESTING AND SPEC IS BASED ON USING FCI RAW
CABLE AND CABLE ASSEMBLY. IF THE RAW CABLE AND CABLE ASSEMBLY IS
OUTSIDE SUPPLIERS SOURCED BY CUSTOMERS, CUSTOMER OR CABLE
ASSEMBLY SUPPLIERS SHOULD BE FULLY RESPONSIBLE FOR THE CABLE ASSY QUALITY.

ITEM	10132418-3001ILF	10132418-3002ILF	10132418-3003ILF	10132418-3011ILF	10132418-3012ILF	10132418-3013ILF
D1	4.0	2.8	2.3	4.0	2.8	2.3
D2	6.4	4.2	3.8	6.4	4.2	3.8
H3	3.02	3.02	3.02	2.05	2.05	2.05
H5	23.5	23.5	23.5	22.53	22.53	22.53
H6	28.7	28.7	28.7	27.73	27.73	27.73
H8	9.74	9.74	9.74	8.77	8.77	8.77
DIM"S"	26.6	21	21	26.6	21	21
CRIMP SIZE	>6~10 mm2	>4~6 mm2	>2.5~4 mm2	>6~10 mm2	>4~6 mm2	>2.5~4 mm2
SUITABLE CABLE	AWG8-AWG9	AWG10-AWG11	AWG12-AWG14	AWG8-AWG9	AWG10-AWG11	AWG12-AWG14



spec ref		SPEC_REF:5		dr	Ruan MT	2014/11/20	projection 	MM 	size	A4	scale	1:1
tolerance std		TOLERANCES UNLESS OTHERWISE SPECIFIED		eng	Ruan MT	2017/09/28			ecn no	ELX-DG-27219-1		
				chr	Fancy Zhang	2017/09/28				rel level	Released	
surface		linear	0.X	±0.15	Amphenol FCI	title	CABLE POWER CONTACT RECEPTACLE-FORMING		dwg no	10132418		rev
			0.XX	±0.10								
angular		0°	0.XXX	±0.05	cat. no.	*	Product - Customer Drw		sheet 2 of 2	B		
			0°	±2°								

X-ON Electronics

Largest Supplier of Electrical and Electronic Components

Click to view similar products for [Power to the Board](#) category:

Click to view products by [Amphenol](#) manufacturer:

Other Similar products are found below :

[6450171-4](#) [6450552-7](#) [6600323-8](#) [6643429-1](#) [6646040-2](#) [6651939-1](#) [6766604-1](#) [120959-1](#) [1393557-2](#) [1393532-2](#) [1393532-3](#) [1393532-4](#)
[1393557-1](#) [1600812-5](#) [1-6450861-2](#) [1744132-7](#) [1761122-1](#) [1766250-1](#) [1892109-1](#) [2-6450860-5](#) [2-6450870-0](#) [1-6450161-4](#) [1-6450850-6](#) [1-6450869-6](#) [1645526-2](#) [1-6600130-0](#) [2005243-2](#) [TE34-12-16P-F0](#) [5-6450830-6](#) [5646956-4](#) [4-6450830-9](#) [4-6600333-3](#) [10125416-4050LF](#)
[6600320-3](#) [3-6450860-5](#) [1888123-2](#) [6450166-1](#) [6643978-1](#) [6766605-1](#) [N11444](#) [6651938-1](#) [6450810-7](#) [46437-1112](#) [1-1589677-8](#) [5646956-5](#)
[6450813-2](#) [6450129-4](#) [1645523-1](#) [PSS-06-01-T-S](#) [0465621864](#)