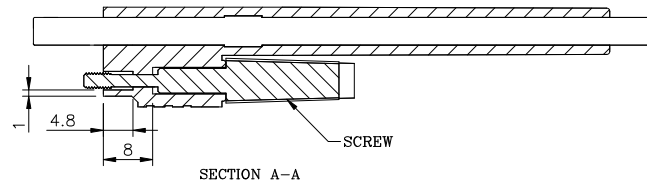
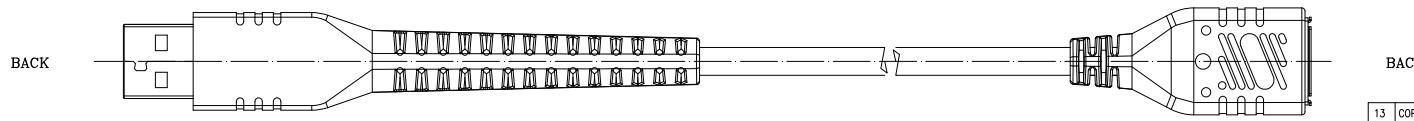
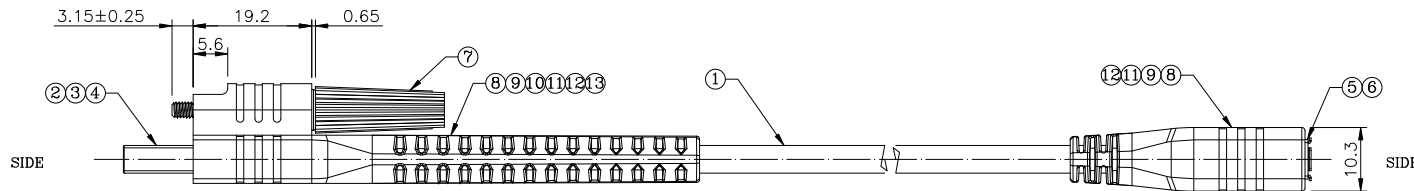
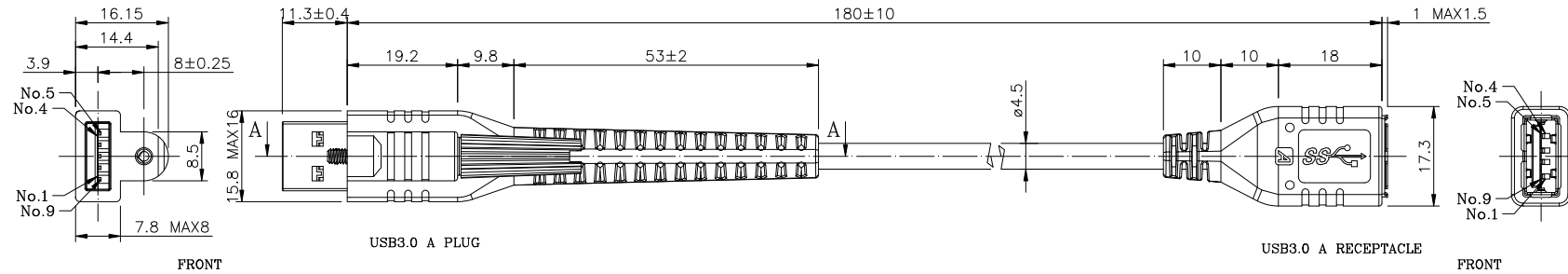


PRODUCT NUMBER
10132951-000XXLF



PIN TO PIN

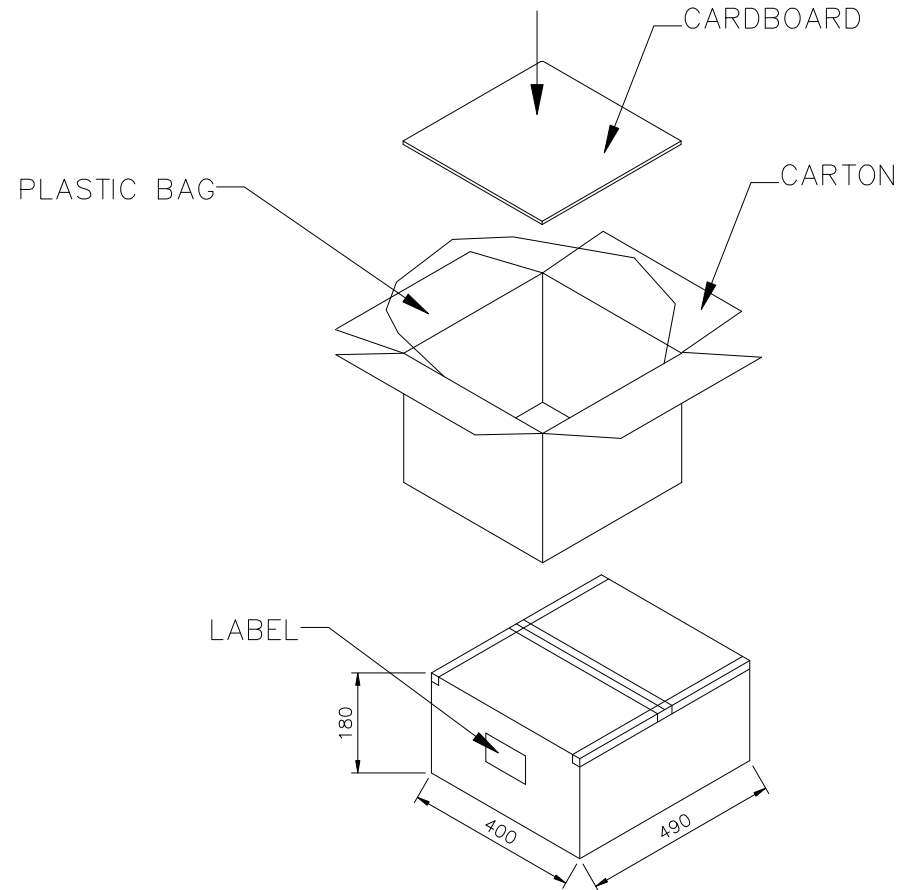
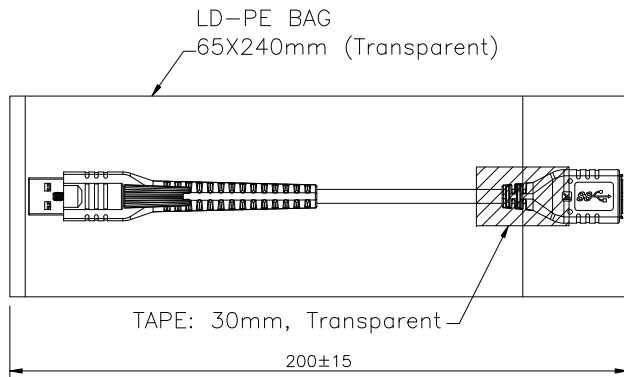
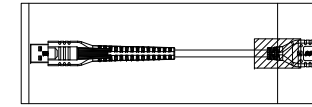
USB 3.0 A/M	CABLE COLOUR	USB 3.0 A/F
1	RED	1
2	WHITE	2
3	GREEN	3
4	BLACK	4
5	BLUE	5
6	YELLOW	6
7	D.W	7
	D.W	
8	VIOLET	8
9	ORANGE	9
SHELL	Braid+Drain	SHELL

NOTE:
 1. PRODUCT SPECIFICATION: GS-12-1285.
 2. PACKAGE SPECIFICATION: SEE PAGE 2.
 3. PART NUMBER:
 10132951-000 X X L F
 PLATING:
 1: G/F ON CONTACT
 2: 30u" Au ON CONTACT
 PACKAGE:
 1: PE BAG

NO.	PART NAME	MATERIAL	QTY.
13	COPPER TAPE	COPPER ALLOY 5*28mm t=0.06mm	1 PCS
12	OVER MOLD	PVC BLACK	25.0g
11	INNER MOLD	PE	6.0g
10	TUBE	ø6 BLACK	9mm
9	TUBE	ø1 BLACK	16mm
8	LEAD FREE SOLDER		0.3g
7	SCREW	BIG E ø4*23mm (M2.6)	1 PCS
6	USB 3.0 A REC. SHELL	STEEL, NI PLATED	1 PCS
5	USB 3.0 A RECEPTACLE	HSG: HIGH TEMP. THERMOPLASTIC, BLUE TERMINAL: COPPER ALLOY, OPTIONAL Au PLATING	1 PCS
4	USB 3.0 A PLUG LOWER SHELL	STEEL, NI PLATED	1 PCS
3	USB 3.0 A PLUG UPPER SHELL	STEEL, NI PLATED	1 PCS
2	USB 3.0 A PLUG	HSG: HIGH TEMP. THERMOPLASTIC, BLUE TERMINAL: COPPER ALLOY, OPTIONAL Au PLATING	1 PCS
1	CABLE	UL 20276, FOR USB 3.0, BLACK, OD=5.4mm	

mat'l. code				surface	tolerance	projection	product family	
ltr	ecn no	dr	date	tolerances unless otherwise specified		 MM	USB 3.0	
A		TAI	2014-12-30	angles	16<L≤63 ±0.4 4<L≤16 ±0.3 L≤4 ±0.2		title	
				X°±5°		scale	CABLE ASS'Y, USB 3.0 A PLUG TO USB 3.0 A RECEPTACLE	
				dr	KENNY TAI	2014-11-27	dwg no	sheet 1 of 2
				engr	KENNY TAI	2014-11-27	10132951	size
				chr	KENNY TAI	2014-11-27		A4
				appd	PM ZHENG	2014-12-30	type	CUSTOMER Drawing
sheet index	revision sheet	A	A					
		1	2					

PRODUCT NUMBER
10132951-000XXLF



NOTE:

1. PUT 4 DESICCANTS INTO THE PLASTIC BAG.
2. PACKAGE Q'TY:

PE BAG	CARTON	Net Wt.	Gross Wt.
1 CABLE	500 CABLES	14.0 Kg	15.2 Kg

mat'l. code		surface	tolerance	projection	product family
ltr		tolerances unless otherwise specified		 MM	USB 3.0
ecn no	dr	date	angles		title
			16<L≤63 ±0.4 4<L≤16 ±0.3 L≤4 ±0.2	scale	CABLE ASS'Y, USB 3.0 A PLUG TO USB 3.0 A RECEPTACLE
			X°±5°		dwg no
dr	KENNY TAI	2014-11-27			sheet 2 of 2
enr	KENNY TAI	2014-11-27			size
chr	KENNY TAI	2014-11-27			10132951
appd	PM ZHENG	2014-12-30			A4
					type
					CUSTOMER Drawing
sheet index	revision sheet	A	A		
		1	2		

X-ON Electronics

Largest Supplier of Electrical and Electronic Components

Click to view similar products for [USB Cables / IEEE 1394 Cables](#) category:

Click to view products by [Amphenol](#) manufacturer:

Other Similar products are found below :

[68768-0173](#) [88764-0800](#) [148700-1](#) [AC102012-1](#) [AC102012-2](#) [45-1345-15](#) [45-1358-15](#) [45-1363-15](#) [IP-USB1\(C10\)S-RW](#)
[CABLE/RTP/USB/DT](#) [45-1351-15](#) [45-1357-15](#) [45-1433-1](#) [10115240-12200LF](#) [687680278](#) [MDM9PH004B](#) [MDM9PH004P](#) [FTP-629Y401](#)
[FTP-628Y302](#) [FTP-628Y402](#) [FNY-W6022](#) [UA-30AMFM-SL7B02](#) [UA-30AMFM-SL7B01](#) [UA-30AMF-SD7B03](#) [UA-30AMFM-SL7B03](#)
[UES-1001A160](#) [UES-1003A160](#) [USBFTV2PEMSA2N10OPEN](#) [FTP-629Y602](#) [USBCAMCM100](#) [USB A/F*2 to 2.54 2*5P-SH L=400mm](#)
[68784-0075](#) [MINI-SCREW-USB-DATACABLE](#) [103-1020-BL-00100](#) [103-1030-BL-F0300](#) [103-1092-BL-F0200](#) [105-1092-BL-00300](#) [105-](#)
[1092-BL-00200](#) [105-1031-BL-00200](#) [105-1032-RE-B0200](#) [103-1020-BL-00300](#) [103-1010-BL-00200](#) [103-1020-BL-00200](#) [9370-P](#) [9372-0-](#)
[15-01-13-14-10-0](#) [84729-0025](#) [USBFTV2SA2G10OPEN](#) [103-1030-BL-F0200](#) [105-1032-RE-B0100](#) [105-1032-RE-B0050](#)