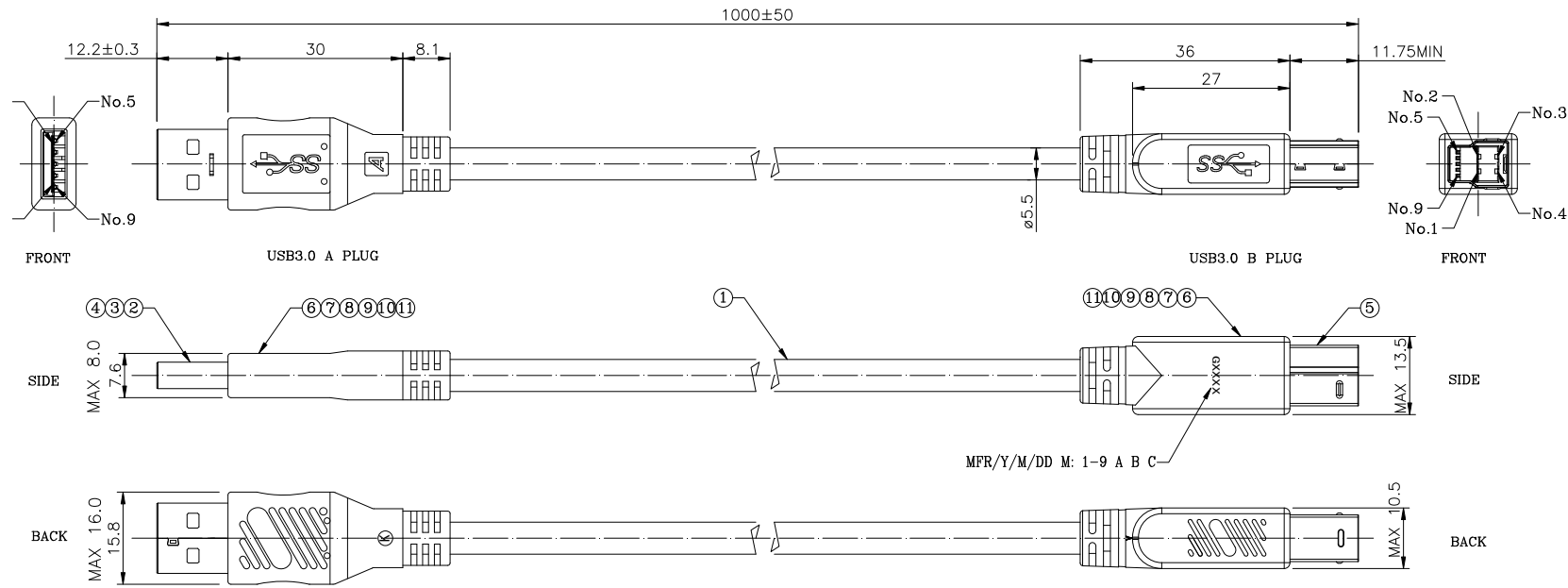


PRODUCT NUMBER
10132952-000XXLF



MFR/Y/M/DD M: 1-9 A B C

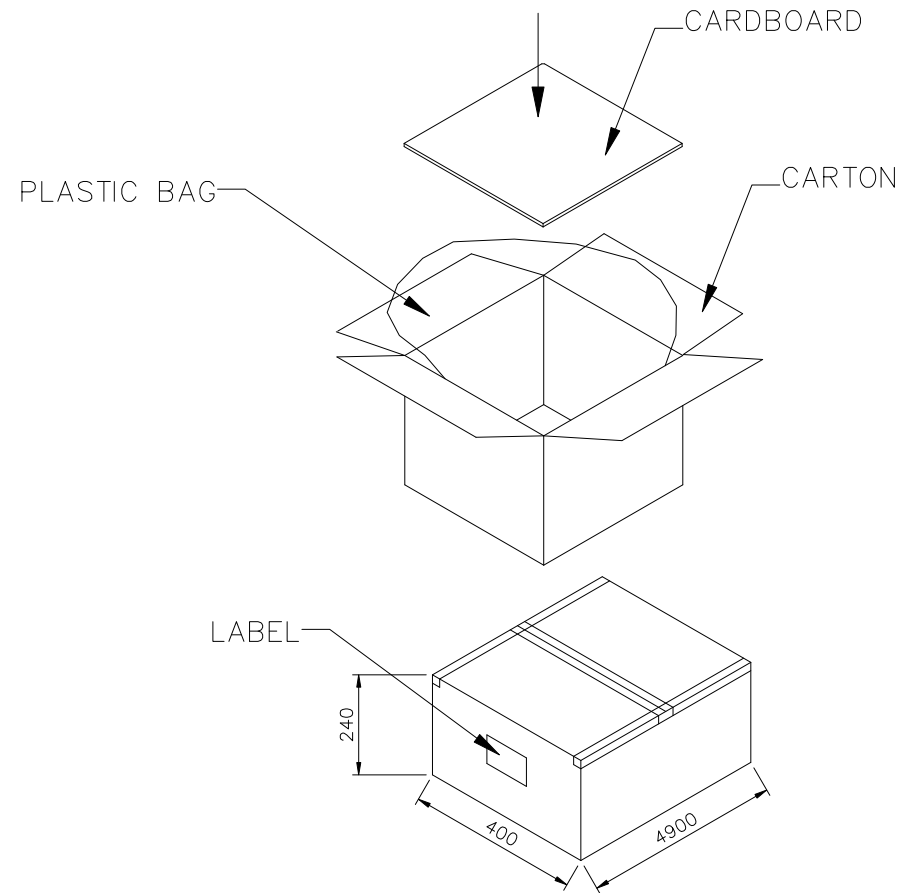
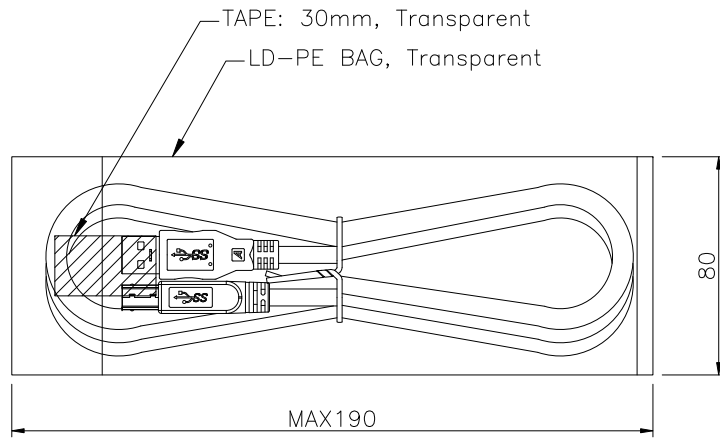
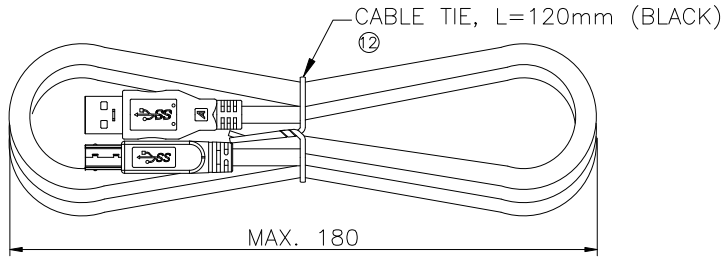
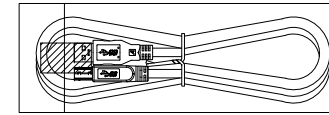
12	CABLE TIE	L=120mm (Black)	1 pcs
11	COPPER TAPE	Copper Alloy	2 pcs
10	OVER MOLD	PVC, Black	
9	INNER MOLD	PE	
8	LEAD FREE SOLDER		
7	TUBE	ø6 Black	18mm
6	TUBE	ø1 Black	10mm
5	USB 3.0 B PLUG	HSG: High Temp. Thermoplastic, Blue; Terminal: Copper Alloy, Optional Gold Plating; Shell: Steel, Ni Plated	1 set
4	USB 3.0 A PLUG LOWER SHELL	Steel, Ni Plated	1 pcs
3	USB 3.0 A PLUG UPPER SHELL	Steel, Ni Plated	1 pcs
2	USB 3.0 A PLUG	HSG: High Temp. Thermoplastic, Blue Terminal: Copper Alloy, Optional Gold Plating	1 pcs
1	CABLE	UL 20276 for USB 3.0, BLACK, OD=5.5mm	
No.	PARTS NAME	SPECIFICATION	QTY

CONNECTIONS		
USB 3.0 A/M	CABLE COLOUR	USB 3.0 B/M
1	RED	1
2	WHITE	2
3	GREEN	3
4	BLACK	4
5	BLUE	5
6	YELLOW	6
7	D.W	7
8	VIOLET	8
9	ORANGE	9
SHELL	Braid+Drain	SHELL

NOTE:
 1. PRODUCT SPECIFICATION: GS-12-1285.
 2. PACKAGE SPECIFICATION: SEE PAGE 2.
 3. PART NUMBER:
 10132952-000 X X L F
 PLATING: _____ PACKAGE:
 1: G/F ON CONTACT 1: PE BAG
 2: 30u" Au ON CONTACT

mat'l. code	surface	tolerance	projection	product family
				USB 3.0
ltr	ecn no	dr	date	title
A		TAI	2014-12-30	CABLE ASS'Y, USB 3.0 A PLUG TO USB 3.0 B PLUG
				scale
				MM
				sheet 1 of 2
				size
				A4
				type
				CUSTOMER Drawing
sheet index	revision sheet	A 1	A 2	

PRODUCT NUMBER
10132952-000XXLF



NOTE:

1. PUT 4 DESICCANTS INTO THE PLASTIC BAG.
2. PACKAGE Q'TY:

PE BAG	CARTON	Net Wt.	Gross Wt.
1 CABLE	250 CABLES	12.8 Kg	14.3 Kg

mat'l. code		surface	tolerance	projection	product family
ltr		tolerances unless otherwise specified		 MM	USB 3.0
ecn no	dr	date	angles		title
			16 $L \le 63 \pm 0.4$ 4 $L \le 16 \pm 0.3$ X° ± 5° L $\le 4 \pm 0.2$	scale	CABLE ASS'Y, USB 3.0 A PLUG TO USB 3.0 B PLUG
			dr		dwg no
			enr		sheet 2 of 2
			chr		10132952
			appd		size
					A4
sheet index	revision sheet	A	A		type
		1	2		CUSTOMER Drawing

X-ON Electronics

Largest Supplier of Electrical and Electronic Components

Click to view similar products for [USB Cables / IEEE 1394 Cables](#) category:

Click to view products by [Amphenol](#) manufacturer:

Other Similar products are found below :

[68768-0173](#) [88764-0800](#) [148700-1](#) [AC102012-1](#) [AC102012-2](#) [45-1345-15](#) [45-1358-15](#) [45-1363-15](#) [IP-USB1\(C10\)S-RW](#)
[CABLE/RTP/USB/DT](#) [45-1351-15](#) [45-1357-15](#) [45-1433-1](#) [10115240-12200LF](#) [687680278](#) [MDM9PH004B](#) [MDM9PH004P](#) [FTP-629Y401](#)
[FTP-628Y302](#) [FTP-628Y402](#) [FNY-W6022](#) [UA-30AMFM-SL7B02](#) [UA-30AMFM-SL7B01](#) [UA-30AMF-SD7B03](#) [UA-30AMFM-SL7B03](#)
[UES-1001A160](#) [UES-1003A160](#) [USBFTV2PEMSA2N10OPEN](#) [FTP-629Y602](#) [USBCAMCM100](#) [USB A/F*2 to 2.54 2*5P-SH L=400mm](#)
[68784-0075](#) [MINI-SCREW-USB-DATACABLE](#) [103-1020-BL-00100](#) [103-1030-BL-F0300](#) [103-1092-BL-F0200](#) [105-1092-BL-00300](#) [105-](#)
[1092-BL-00200](#) [105-1031-BL-00200](#) [105-1032-RE-B0200](#) [103-1020-BL-00300](#) [103-1010-BL-00200](#) [103-1020-BL-00200](#) [9370-P](#) [9372-0-](#)
[15-01-13-14-10-0](#) [84729-0025](#) [USBFTV2SA2G10OPEN](#) [103-1030-BL-F0200](#) [105-1032-RE-B0100](#) [105-1032-RE-B0050](#)