

PRODUCT NUMBER

10134160-YXXXLF

- RoHS COMPATIBLE,
- LEAD FREE
- LUBRICANT
- APPLICABLE AWG
- MATERIAL
- PLATING

NOTES

1- PLATING :

- 1- GOLD FLASH 0.1 μm MIN ON CONTACT AREA
- 2 μm MIN MATTE TIN ON CRIMPING AREA
- 1.27 μm MIN Ni UNDERLAYER

- 2- FULL TIN : 2 μm MIN MATTE TIN OVERALL

- 3- GOLD 0.38 μm MIN ON CONTACT AREA
- 2 μm MIN MATTE TIN ON CRIMPING AREA
- 1.27 μm MIN Ni UNDERLAYER

- 4- GOLD 0.76 μm MIN ON CONTACT AREA
- 2 μm MIN MATTE TIN ON CRIMPING AREA
- 1.27 μm MIN Ni UNDERLAYER

2- MATERIAL

- 2- CHRYSOCAL
- 3- CUPRONICKEL (High current version)

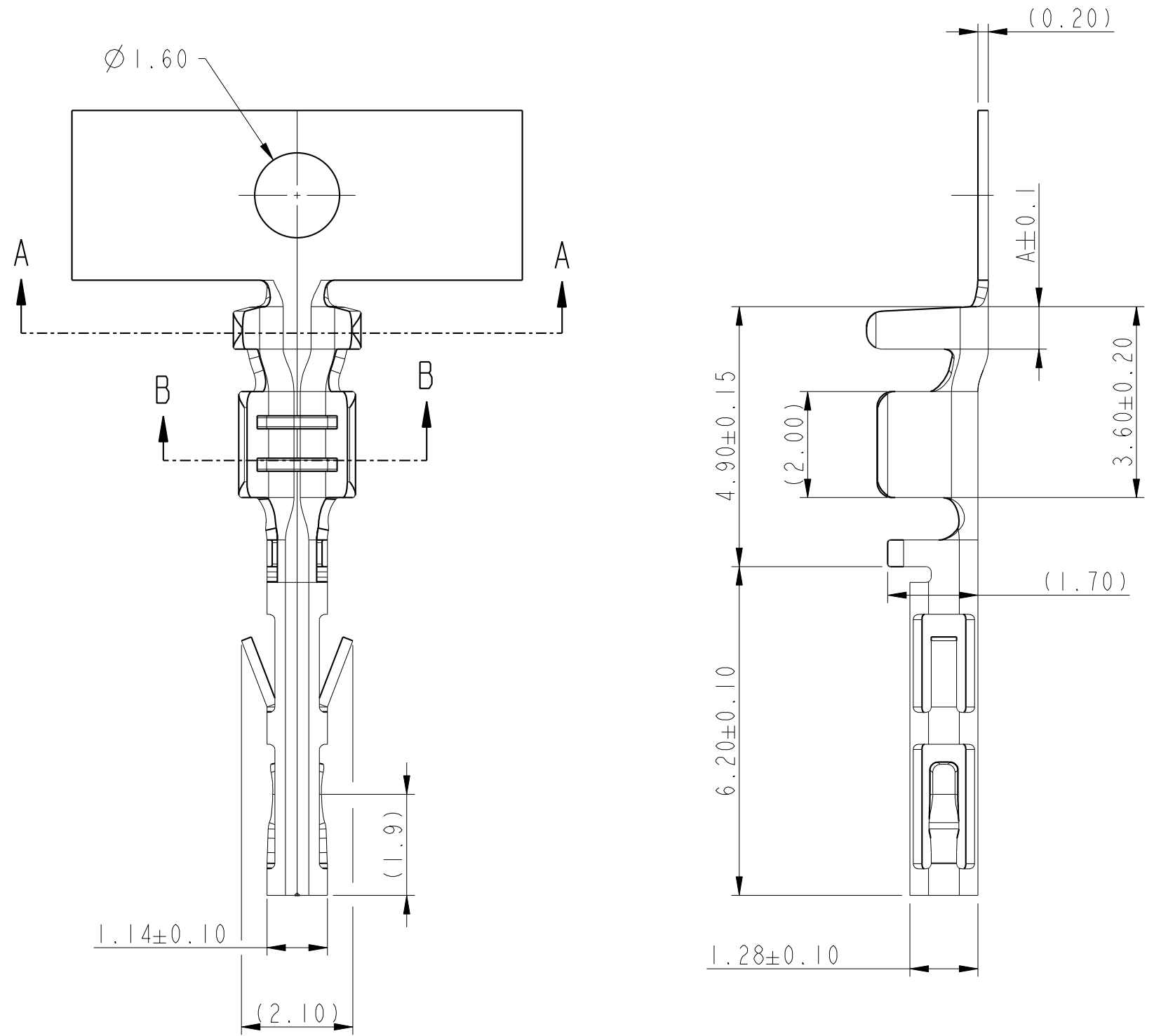
3- APPLICABLE AWG

- 1- AWG #16-20 : INSULATOR DIAMETER 2.2MM MAX
- 2- AWG #20-24 : INSULATOR DIAMETER 1.85MM MAX
- 3- AWG #26-30 : INSULATOR DIAMETER 1.27MM MAX

4- LUBRICANT :

- 0- NONE

5-PRODUCT SPECIFICATION : GS-12-1374

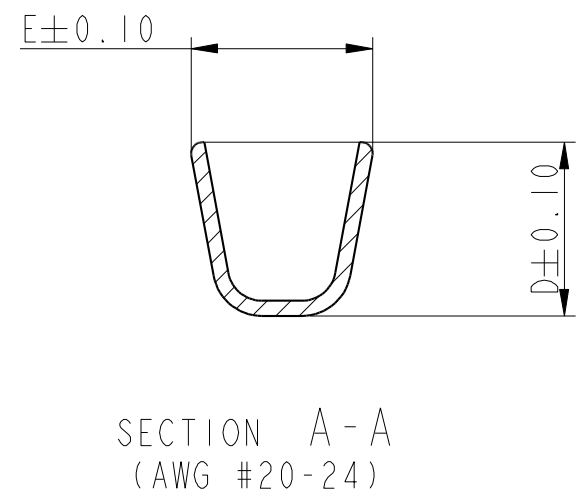
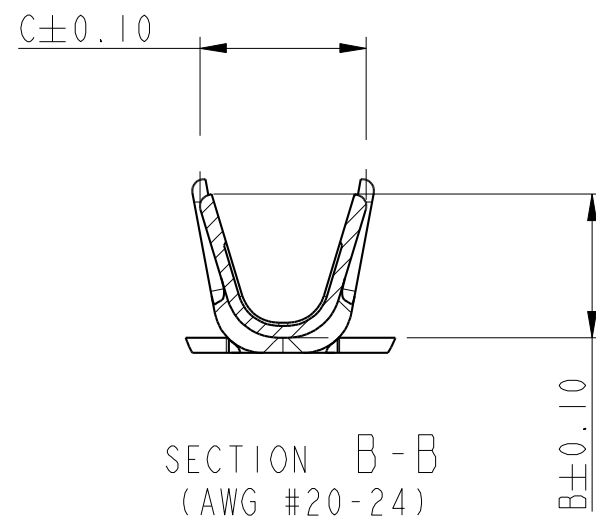


Amphenol FCI

© 2016 AFCI

spec ref -		dr	M Glass-adm	2017/07/11	projection	mm	size	A3	scale	10:1
tolerance std		TOLERANCES UNLESS OTHERWISE SPECIFIED			eng	J Dalibard	2018/02/13	ecn no ELX-F-29367-1		
ISO 406					chr	J Dalibard	2018/02/13	rel level Released		
ISO 1101					appr	Aymeric Soudy	2018/02/13	product family -		
surface	linear	0.X	±0.4		Amphenol FCI	RECEPTACLE CRIMP TERMINAL		dwg no	10134160	
		0.XX	±0.30							
		0.XXX	±							
ISO 1302	angular	0°	±2°		cat. no.	-	Product - Customer Drw	sheet 1 of 2		

PART NUMBER	DIM A	DIM B	DIM C	DIM D	DIM E	APPLICABLE WIRES
10134160-YX3XLF	0.8	1.45	1.60	1.90	2.00	AWG #26-30
10134160-YX2XLF	0.8	1.90	2.20	2.30	2.40	AWG #20-24
10134160-YX1XLF	1.0	2.40	2.60	3.25	3.10	AWG #16-20



Amphenol
FCi

© 2016 AFCI

spec ref	-	dr	M Glass-adm	2017/07/11	projection	mm	size	A3	scale	10:1		
tolerance std	ISO 406 ISO 1101	TOLERANCES UNLESS OTHERWISE SPECIFIED			eng	J Dalbard	2018/02/13	ecn no			ELX-F-29367-1	
surface	ISO 1302	linear	0.X	±0.4	chr	J Dalbard	2018/02/13	rel level			Released	
			0.XX	±0.30	appr	Aymeric Soudy	2018/02/13	product family			-	
		angular	0°	±2°	Amphenol FCi			RECEPTACLE CRIMP TERMINAL			dwg no	10134160
								MINITEK POWER 3.0			rev	B
					cat. no.	-	Product - Customer Drw			sheet 2 of 2		

X-ON Electronics

Largest Supplier of Electrical and Electronic Components

Click to view similar products for [Headers & Wire Housings](#) category:

Click to view products by [Amphenol](#) manufacturer:

Other Similar products are found below :

[892-18-020-10-001101](#) [58102-G61-06LF](#) [582553-1](#) [0009485154](#) [009176003701906](#) [0050291907](#) [LY20-4P-DT1-P1E-BR](#) [02.125.8002.8](#)
[609-3404](#) [61062-3](#) [622-0430](#) [622-3653LF](#) [63453-116](#) [636-1030](#) [636-1427](#) [636-3427](#) [636-4007](#) [641938-9](#) [641991-4](#) [644827-2](#) [65817-010LF](#)
[65817-015LF](#) [65863-015LF](#) [66207-023LF](#) [67095-007LF](#) [67601157](#) [68648-049](#) [70.362.1628.0](#) [70-4210](#) [70-4226B](#) [70-4853B](#) [707-5020](#) [707-5028](#) [71.350.2428.0](#) [71918-208LF](#) [71961-016LF](#) [733-134](#) [733-162](#) [754199-000](#) [760-3052](#) [787-8014-00](#) [79531-3000](#) [FCN-360C032-B](#) [FCN-367T-T012/H](#) [FCN-723D010/2](#) [80.063.4001.1](#) [800-90-001-10-001000](#) [800-90-010-10-002000](#) [801-43-002-10-013000](#) [801-43-006-10-002000](#)