

PLUG KIT PART NUMBER
SEE TABLE 2 ON SHEET 2

OCTIS PLUG KIT, PoE, FIELD TERMINABLE, PITCH 26MM

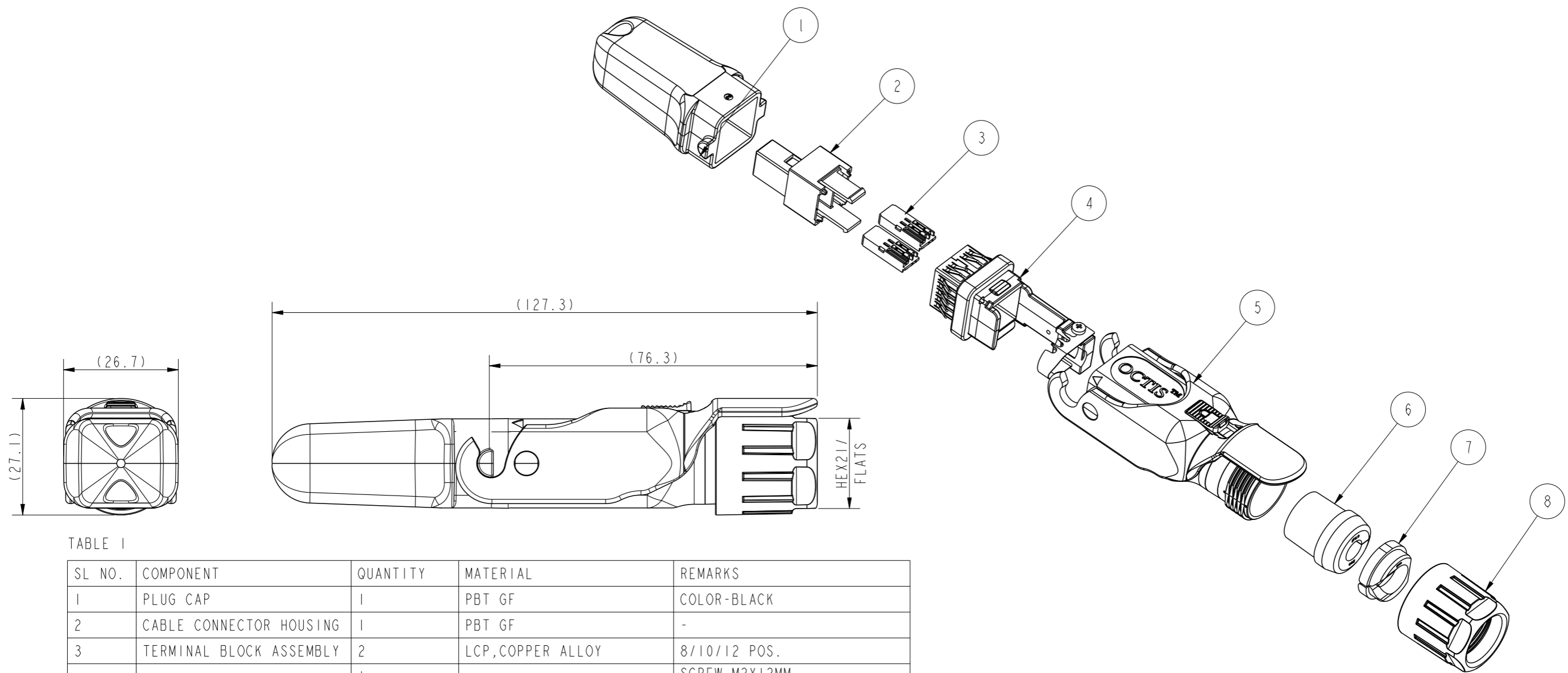


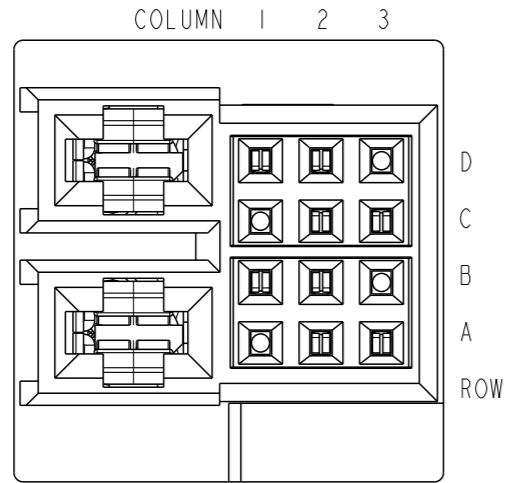
TABLE 1

SL NO.	COMPONENT	QUANTITY	MATERIAL	REMARKS
1	PLUG CAP	1	PBT GF	COLOR-BLACK
2	CABLE CONNECTOR HOUSING	1	PBT GF	-
3	TERMINAL BLOCK ASSEMBLY	2	LCP,COPPER ALLOY	8/10/12 POS.
4	HOLDER SUBSET KIT	1	ZAMAK(PASSIVATED), SS,SILICONE	SCREW M2X12MM RECOM.COUPLING TORQUE-22 Ncm
5	HOUSING SUBSET KIT	1	PBT GF, IXEF	-
6	SPLIT RUBBER GLAND	1	SILICONE	DIA 7MM *
7	TIGHTENING CONE	1	PA	-
8	GLAND NUT	1	PBT GF	COLOUR YELLOW RECOM.COUPLING TORQUE-2 MIN TO 2.5 Nm

* - STD RUBBER GLAND DIA OFFERED IS 7MM;OPTIONAL RUBBER GLAND DIA OF 8,9,10 AND 11.5MM ARE AVAILABLE ON REQUEST

spec ref	dr	Alosius, Stali	2019/06/15	projection	mm	size	A3	scale	1:1	
tolerance std	eng	Alosius, Stali	2020/12/29			ecn no	ELX-I-38831-1			
ISO 406 ISO 1101	chr	-	product family				OCTIS	rel level	Released	
surface	linear	0.X	±0.3		OCTIS PLUG KIT, SIGNAL FIELD TERMINABLE, PITCH 26mm	dwg no	10135750			
		0.XX	±0.10				rev	G		
ISO 1302	angular	0°	±2°					cat. no.	-	Product - Customer Drw

CONNECTOR FRONT VIEW
(SHOWN 10135750-101LF)



PACKING CONFIGURATION

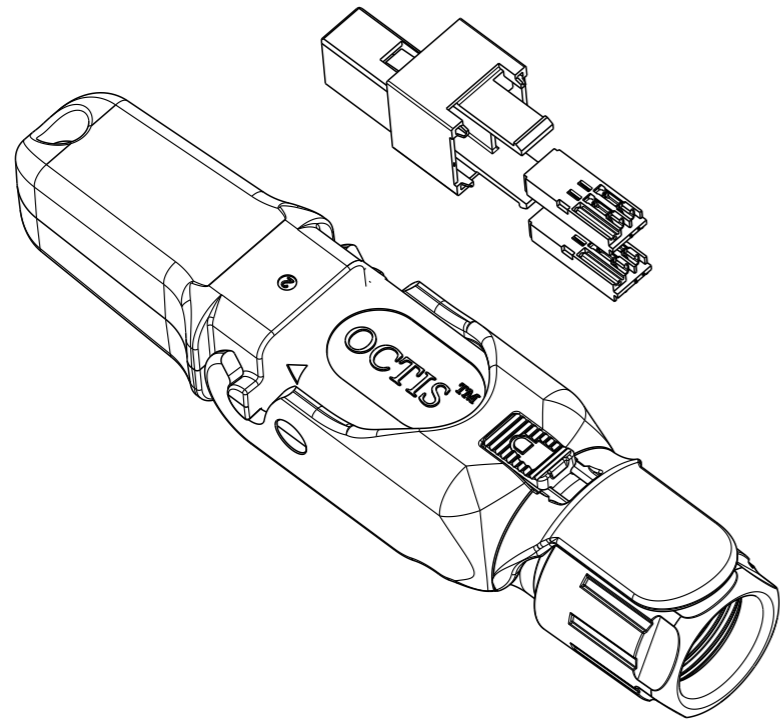


TABLE 2

AFCI PART NO	ROW	COLUMN1	COLUMN2	COLUMN3
	SIGNAL CONTACT LOADING POSITION			
10135750-101LF	D	X	X	-
	C	-	X	X
	B	X	X	-
	A	-	X	X
10135750-102LF	D	X	X	X
	C	-	X	X
	B	X	X	X
	A	-	X	X
10135750-103LF	D	X	X	X
	C	X	X	X
	B	X	X	X
	A	X	X	X
10135750-104LF	D	-	X	X
	C	-	X	X
	B	-	X	X
	A	-	X	X

X INDICATES CONTACT LOADED POSITION

PACKING NOTE: UNITARY IN PLASTIC BAG WITH ASSEMBLY NOTE

spec ref		dr	Alosius, Stali	2019/06/15	projection	mm	size	A3	scale	1:1		
tolerance std		eng	Alosius, Stali	2020/12/29			ecn no		ELX-I-38831-1			
ISO 406 ISO 1101		chr	-	-			rel level		Released			
TOLERANCES UNLESS OTHERWISE SPECIFIED		appr	Kuriakose, San	2020/12/29	product family		OCTIS					
surface	linear	0.X	±0.3			OCTIS PLUG KIT, SIGNAL		dwg no	10135750		rev	G
		0.XX	±0.10			FIELD TERMINABLE, PITCH 26mm						
		0.XXX	±0.050									
ISO 1302	angular	0°	±2°		cat. no.	-		Product - Customer Drw		sheet 2 of 2		

X-ON Electronics

Largest Supplier of Electrical and Electronic Components

Click to view similar products for [I/O Connectors](#) category:

Click to view products by [Amphenol](#) manufacturer:

Other Similar products are found below :

[571763P](#) [58098-0628](#) [72.250.1628.2](#) [72.250.2428.2](#) [74720-0505](#) [76.350.0729.0](#) [76871-1403](#) [FCN-244F080-G/1](#) [FCN-260A9920](#) [MP-5T180MUNNA-005](#) [PCR-E36PM](#) [PCS-XE26MA+](#) [G38A71314B](#) [1571250010](#) [157-22500-3](#) [MS3471L14-19P L/C](#) [192991-0703](#) [172501-4002](#) [172501-6002](#) [FCN-260C008-A/L0](#) [FCN-260C024-AL0](#) [FCN-261Z008](#) [2000314-1](#) [200331-1](#) [PCR-E36FC+](#) [PCS-E28FS+](#) [PCS-XE26SLFD+](#) [PCS-XE26SLFDT+](#) [G730VID08BDC24](#) [HDR-E14MSG1+](#) [U90B2054081210](#) [UE86K842720321](#) [38113800006](#)
[DP3AR020WQ1R200](#) [Z4.102.0680.0](#) [500-1040](#) [500-1052](#) [500-1054](#) [ZP-4008-66L](#) [0709821002](#) [DX40-20P\(55\)](#) [5554841-1](#) [MS3474W18-8P-LC*](#) [SM3106F14S-7S-LC](#) [U90B3054061110](#) [U65-E04-4020](#) [ZPF000000000097891](#) [557-262M2-06C](#) [747360449](#) [10099439-003C-TRLF](#)