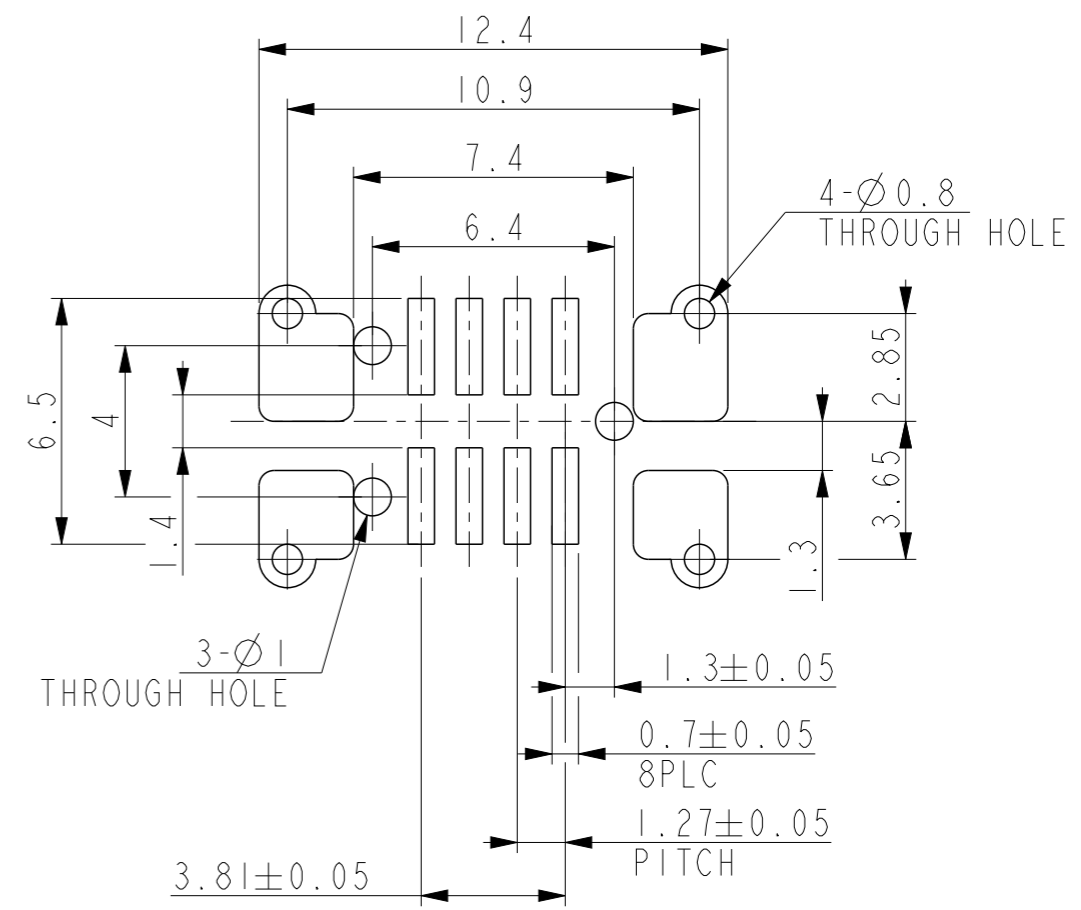


PRODUCT NUMBERING:  
 10137238 - 0 0 X 0 LF  
 LEAD FREE  
 1: TYPE I  
 2: TYPE II

NOTES:

- MATERIAL AND FINISH  
 CONTACT: COPPER ALLOY  
 UNDER ALL SURFACE NICKEL 1.27µm MIN.  
 TOP CONTACT AREA : GOLD 0.5µm MIN  
 SOLDERING AREA : TIN PLATE.  
 HOUSING: THERMO PLASTIC (UL94V-0)  
 SHELL: COPPER ALLOY  
 UNDER ALL SURFACE NICKEL  
 TOP ALL SURFACE TIN
- COPLANARITY 0.1 MAX
- PACKAGING SPEC GS-14-2538



RECOMMENDED BOARD DIMENSION  
 t=1.6  
 GENERAL TOL. : ±0.1

spec ref	GS-12-1346			dr	A P Sawanth	2016/09/07	projection	mm	size	A3	scale	5:1	
tolerance std	TOLERANCES UNLESS OTHERWISE SPECIFIED			eng	Mike Zhou	2017/11/13			ecn no ELX-N-28452-1				
ISO 406 ISO 1101				chr	-	-			rel level Released				
surface	linear	0.X	±0.3	appr	Tim Yao	2017/11/13	product family		dwg no		10137238		
		0.XX	±-	<b>Amphenol FCi</b>		SMT VERTICAL MINI I/O CONN 1.27mm PITCH		cat. no.		Product - Customer Drw		rev	B
ISO 1302	angular	0°	±5°									sheet 1 of 2	

1

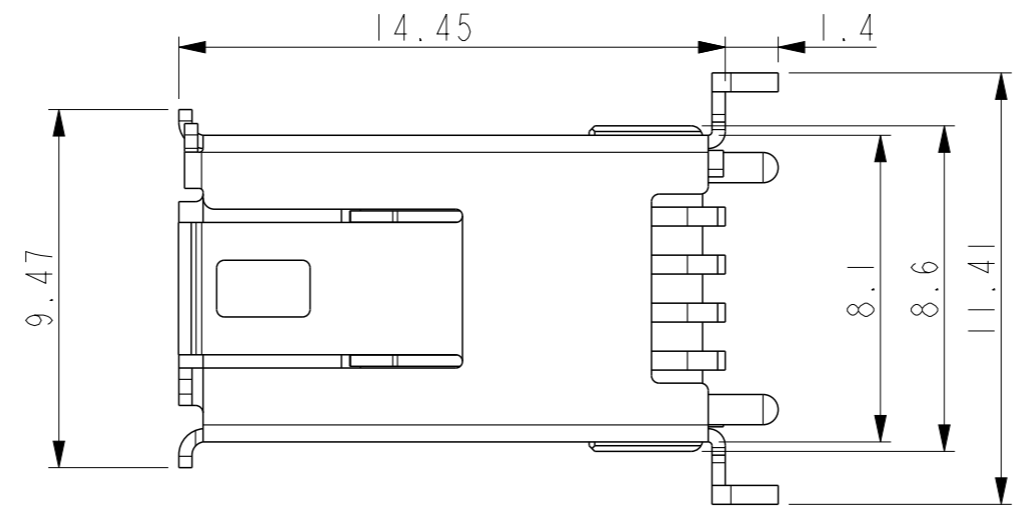
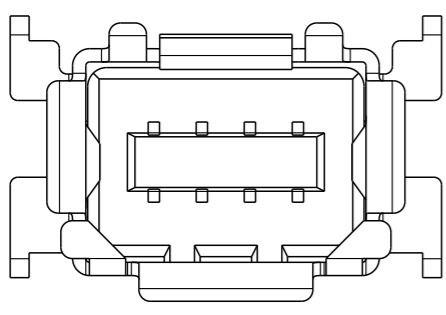
2

3

4

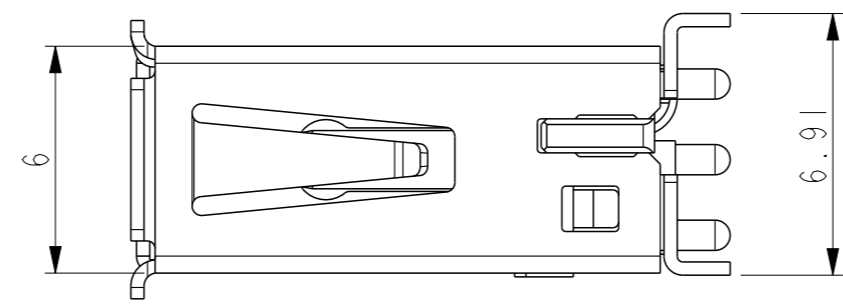
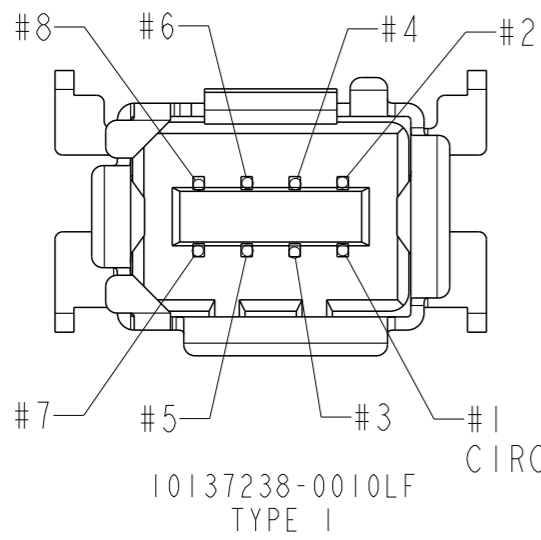
PART NUMBER	DESCRIPTION	POS
10137238-0010LF	TYPE I SMT RECEPTACLE	8
10137238-0020LF	TYPE II SMT RECEPTACLE	8

A

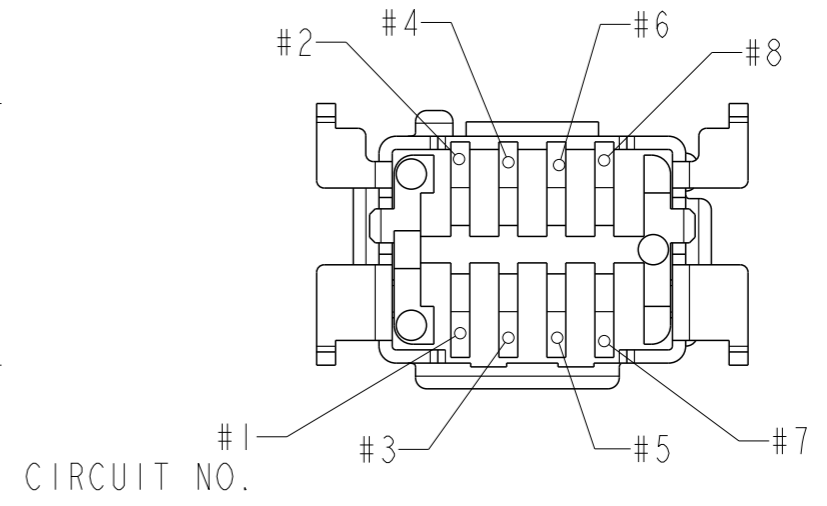


A

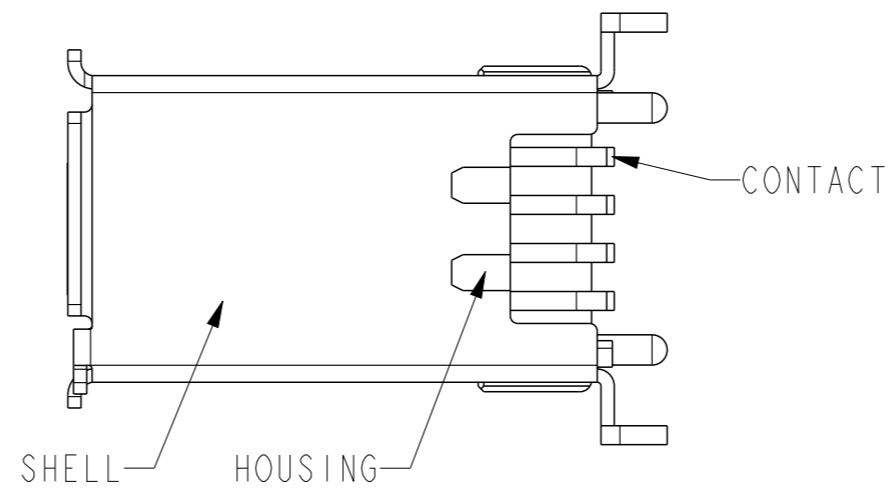
B



B



C



C

D

spec ref	GS-12-1346	dr	A P Sawanth	2016/09/07	projection	mm	size	A3	scale	5:1
tolerance std	ISO 406 ISO 1101	eng	Mike Zhou	2017/11/13			ecn no	ELX-N-28452-1		
TOLERANCES UNLESS OTHERWISE SPECIFIED		chr	-	-			rel level	Released		
surface	linear	0.X	±0.3			SMT VERTICAL MINI I/O CONN 1.27mm PITCH	cat. no.	Product - Customer Drw	sheet 2 of 2	rev B
		0.XX	±-							
ISO 1302	angular	0°	±5°		dwg no	10137238				

D

Amphenol FCI

© 2016 AFCI

1

2

3

4

## X-ON Electronics

Largest Supplier of Electrical and Electronic Components

*Click to view similar products for [I/O Connectors](#) category:*

*Click to view products by [Amphenol](#) manufacturer:*

Other Similar products are found below :

[571763P](#) [58098-0628](#) [72.250.1628.2](#) [72.250.2428.2](#) [74720-0505](#) [76.350.0729.0](#) [76871-1403](#) [FCN-244F080-G/1](#) [FCN-260A9920](#) [PCR-E36PM](#) [PCS-XE26MA+](#) [G38A71314B](#) [1571250010](#) [157-22500-3](#) [MS3471L14-19P L/C](#) [192991-0703](#) [172501-4002](#) [172501-6002](#) [FCN-260C008-A/L0](#) [FCN-260C024-AL0](#) [FCN-261Z008](#) [2000314-1](#) [200331-1](#) [PCR-E36FC+](#) [PCS-E28FS+](#) [PCS-XE26SLFD+](#) [PCS-XE26SLFDT+](#) [G730VID08BDC24](#) [HDR-E14MSG1+](#) [U90B2054081210](#) [UE86K842720321](#) [38113800006](#) [DP3AR020WQ1R200](#) [Z4.102.0680.0](#) [500-1040](#) [500-1052](#) [500-1054](#) [ZP-4008-66L](#) [0709821002](#) [DX40-20P\(55\)](#) [5554841-1](#) [MS3474W18-8P-LC\\*](#) [SM3106F14S-7S-LC](#) [U90B3054061110](#) [U65-E04-4020](#) [ZPF000000000097891](#) [557-262M2-06C](#) [747360449](#) [10099439-003C-TRLF](#) [10137239-0021LF](#)