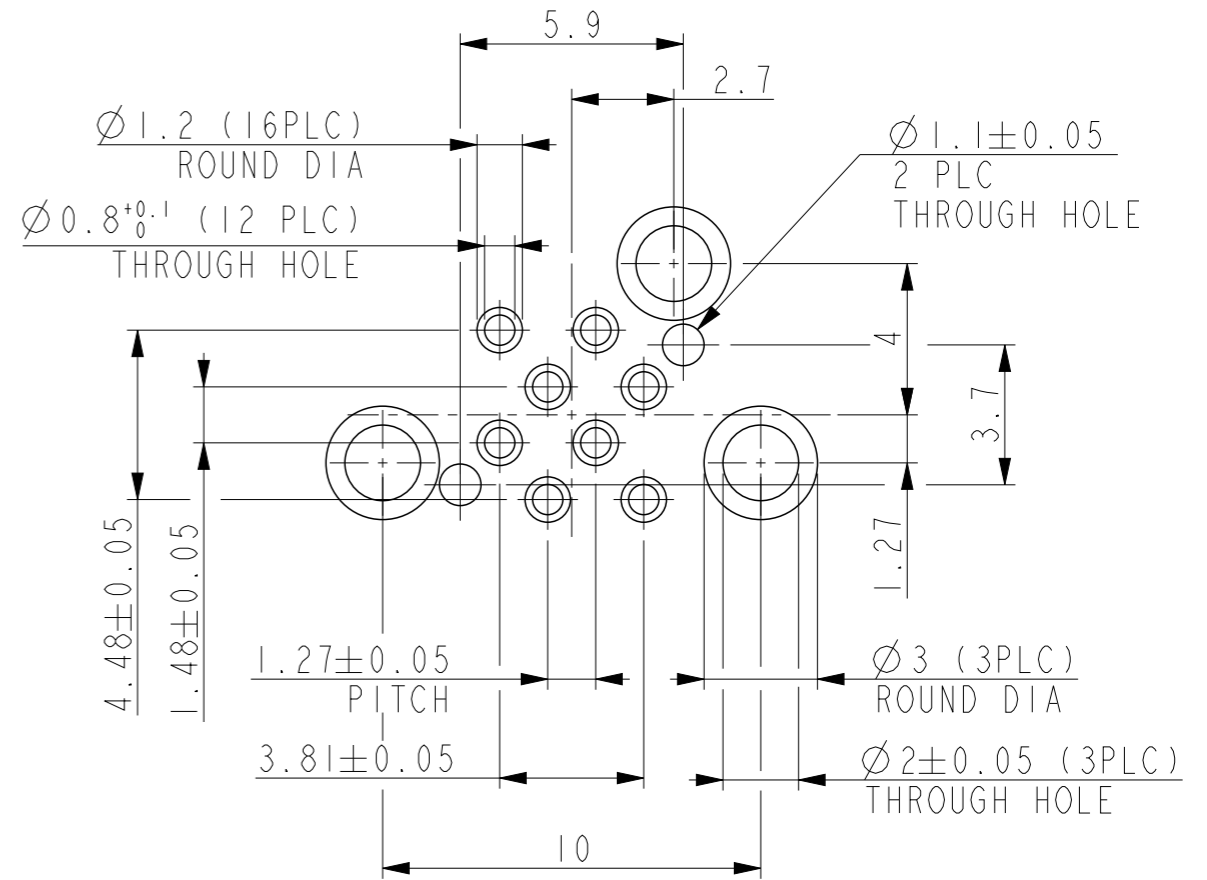


PRODUCT NUMBERING:
 10137849 - 0 0 X 0 LF
 LEAD FREE
 1: TYPE I
 2: TYPE II

NOTES:

- MATERIAL AND FINISH
 CONTACT: COPPER ALLOY
 UNDER ALL SURFACE NICKEL 1.27µm MIN.
 TOP CONTACT AREA : GOLD 0.5µm MIN
 SOLDERING AREA : TIN PLATE.
 HOUSING: THERMO PLASTIC (UL94V-0)
 SHELL: COPPER ALLOY
 UNDER ALL SURFACE NICKEL
 TOP ALL SURFACE TIN
- PACKAGING SPEC GS-14-2538



RECOMMENDED BOARD DIMENSION
 t=1.6
 GENERAL TOL. : ± 0.1

PRELIMINARY

spec ref	GS-12-1346	dr	A P Sawanth	2016/09/07	projection	mm	size	A3	scale	5:1
tolerance std	ISO 406 ISO 1101	eng	Julie Carraz	2016/09/09			ecn no		-	
TOLERANCES UNLESS OTHERWISE SPECIFIED		chr	Laurent Mulin	2016/09/09			rel level		Released	
surface	linear	0.X	± 0.3	Amphenol FCI	product family		-		-	
		0.XX	± -		THR VERTICAL MINI I/O RECEPTACLE		dwg no		10137849	
		0.XXX	± -		1.27mm PITCH		rev		A	
ISO 1302	angular	0°	± 5°	cat. no.	-	Product - Customer Drw		sheet 1 of 2		

1

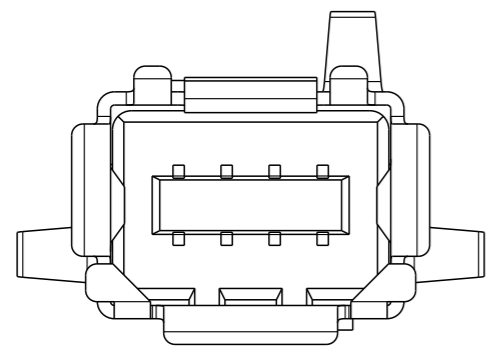
2

3

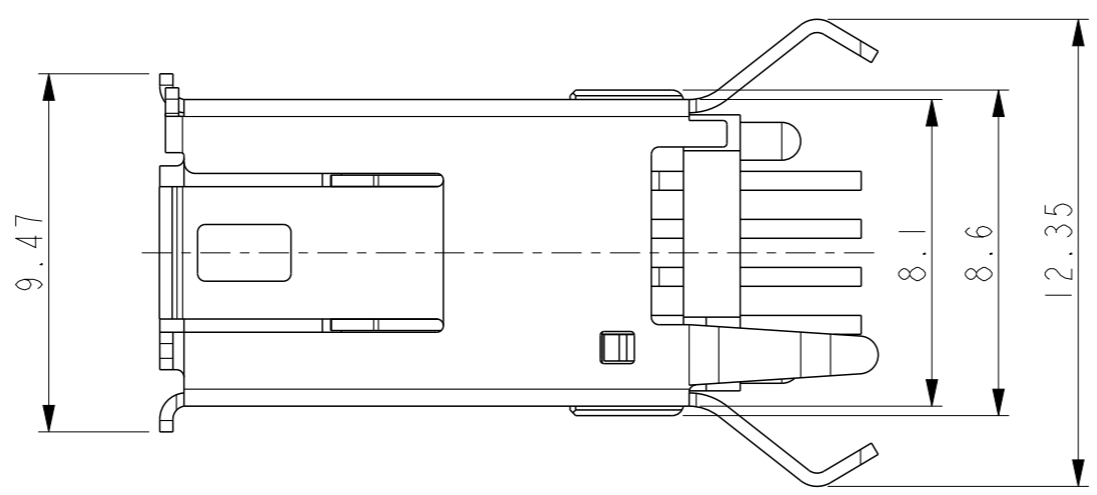
4

PART NUMBER	DESCRIPTION	POS
10137849-0010LF	TYPE I PIP RECEPTACLE	8
10137849-0020LF	TYPE II PIP RECEPTACLE	8

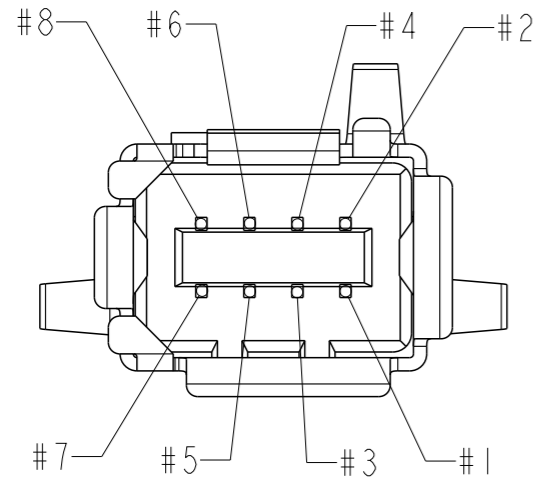
A



10137849-0020LF
TYPE II

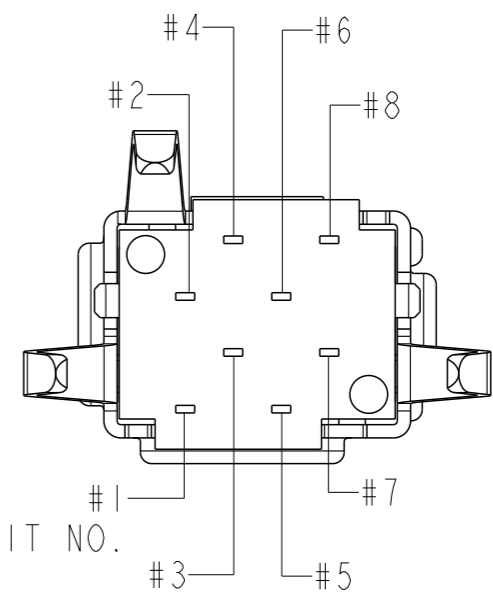
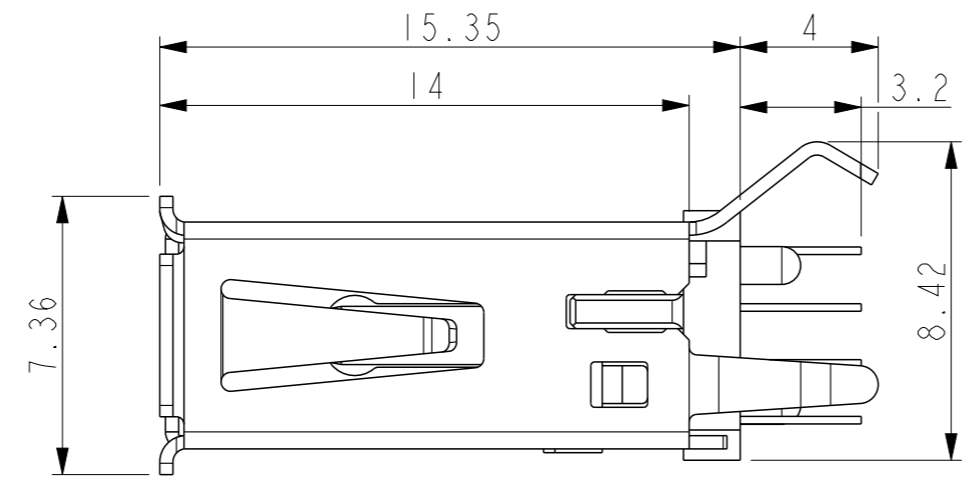


B



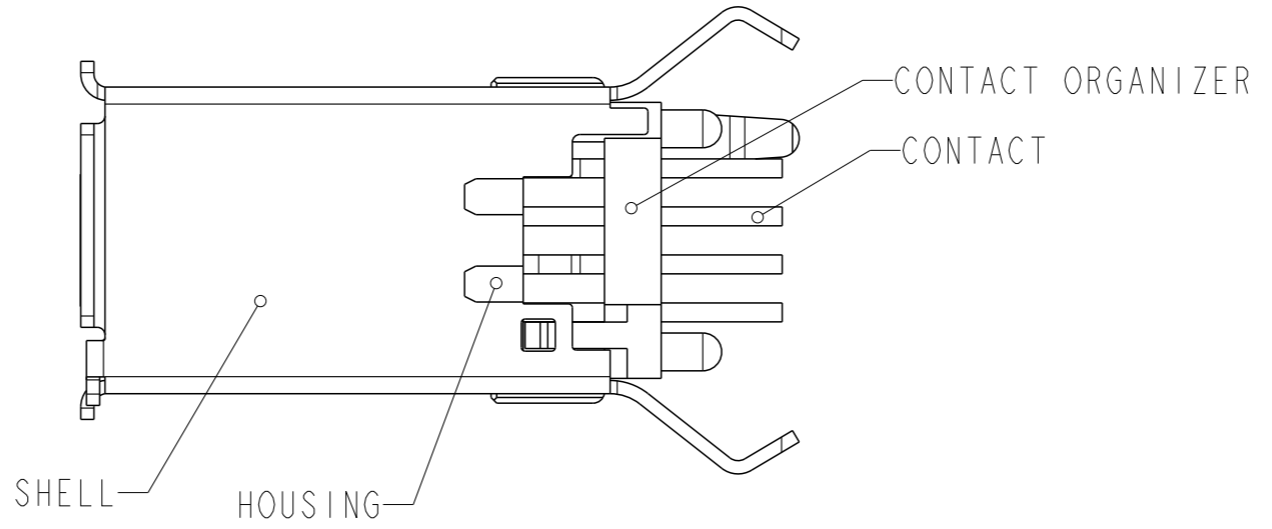
10137849-0010LF
TYPE I

CIRCUIT NO.



CIRCUIT NO.

C



D

PRELIMINARY

spec ref	GS-12-1346	dr	A P Sawanth	2016/09/07	projection	mm	size	A3	scale	5:1
tolerance std	ISO 406 ISO 1101	eng	Julie Carraz	2016/09/09			ecn no		-	
TOLERANCES UNLESS OTHERWISE SPECIFIED		chr	Laurent Mulin	2016/09/09			rel level		Released	
surface	linear	0.X	±0.3	Amphenol FCI	product family		dwg no		10137849	
		0.XX	±-		THR VERTICAL MINI I/O RECEPTACLE		rev		A	
	angular	0°	±5°		1.27mm PITCH		cat. no.		Product - Customer Drw	
ISO 1302								sheet 2 of 2		

1

2

3

4

X-ON Electronics

Largest Supplier of Electrical and Electronic Components

Click to view similar products for [I/O Connectors](#) category:

Click to view products by [Amphenol](#) manufacturer:

Other Similar products are found below :

[571763P](#) [58098-0628](#) [72.250.1628.2](#) [72.250.2428.2](#) [74720-0505](#) [76.350.0729.0](#) [76871-1403](#) [FCN-244F080-G/1](#) [FCN-260A9920](#) [PCR-E36PM](#) [PCS-XE26MA+](#) [G38A71314B](#) [1571250010](#) [157-22500-3](#) [MS3471L14-19P L/C](#) [192991-0703](#) [172501-4002](#) [172501-6002](#) [FCN-260C008-A/L0](#) [FCN-260C024-AL0](#) [FCN-261Z008](#) [2000314-1](#) [200331-1](#) [PCR-E36FC+](#) [PCS-E28FS+](#) [PCS-XE26SLFD+](#) [PCS-XE26SLFDT+](#) [G730VID08BDC24](#) [HDR-E14MSG1+](#) [U90B2054081210](#) [UE86K842720321](#) [38113800006](#) [DP3AR020WQ1R200](#) [Z4.102.0680.0](#) [500-1040](#) [500-1052](#) [500-1054](#) [ZP-4008-66L](#) [0709821002](#) [DX40-20P\(55\)](#) [5554841-1](#) [MS3474W18-8P-LC*](#) [SM3106F14S-7S-LC](#) [U90B3054061110](#) [U65-E04-4020](#) [ZPF000000000097891](#) [557-262M2-06C](#) [747360449](#) [10099439-003C-TRLF](#) [10137239-0021LF](#)