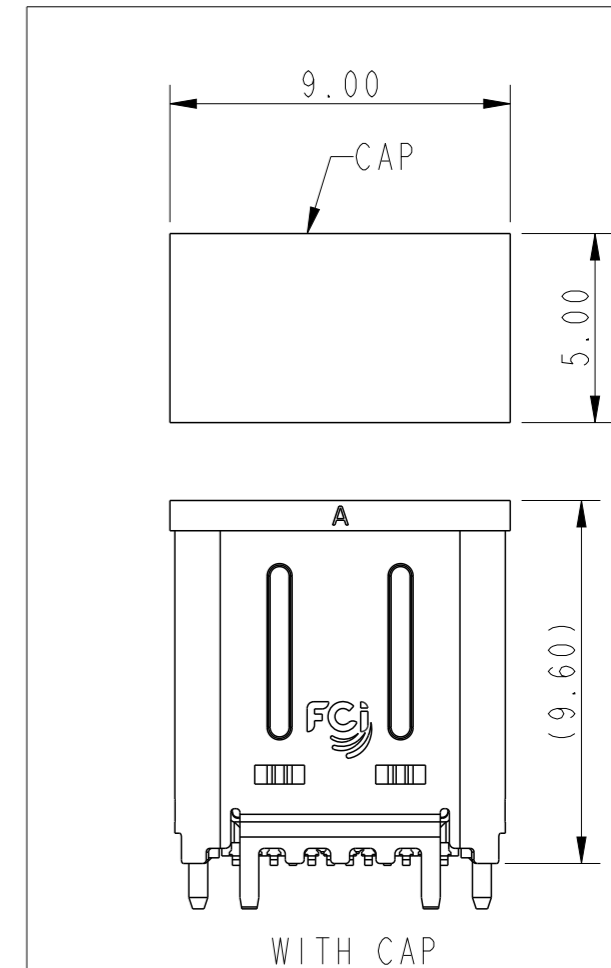
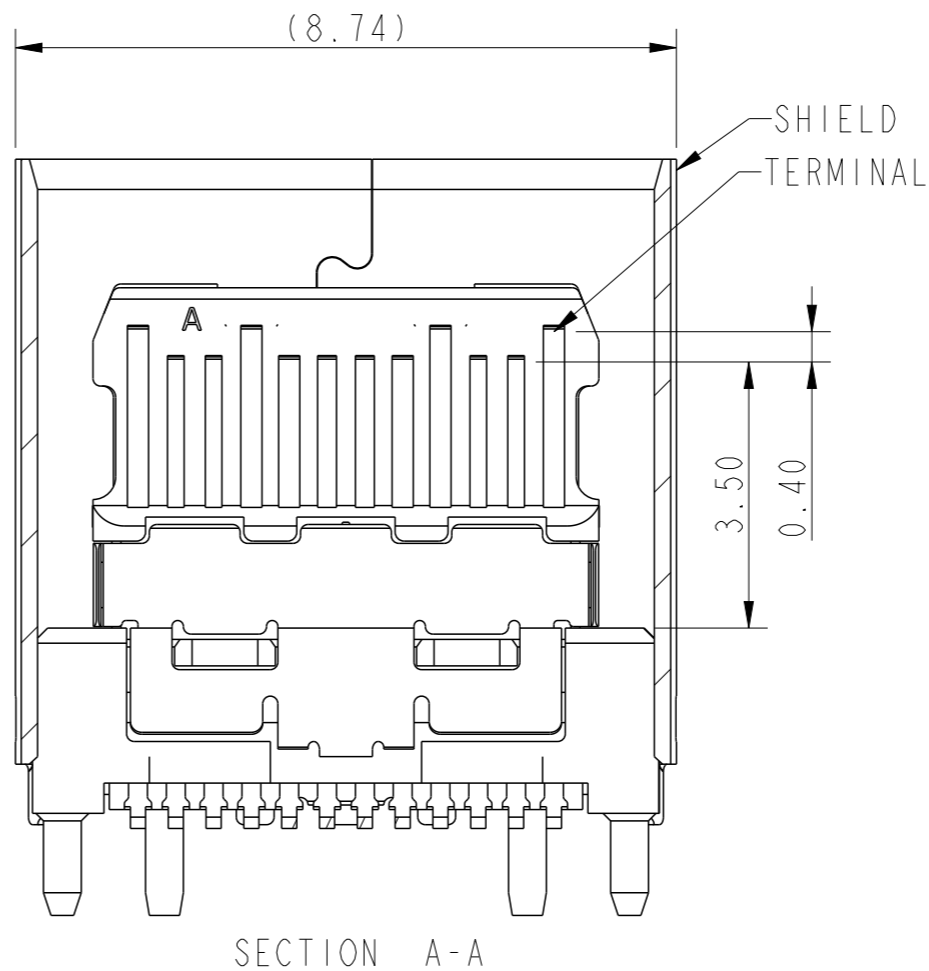
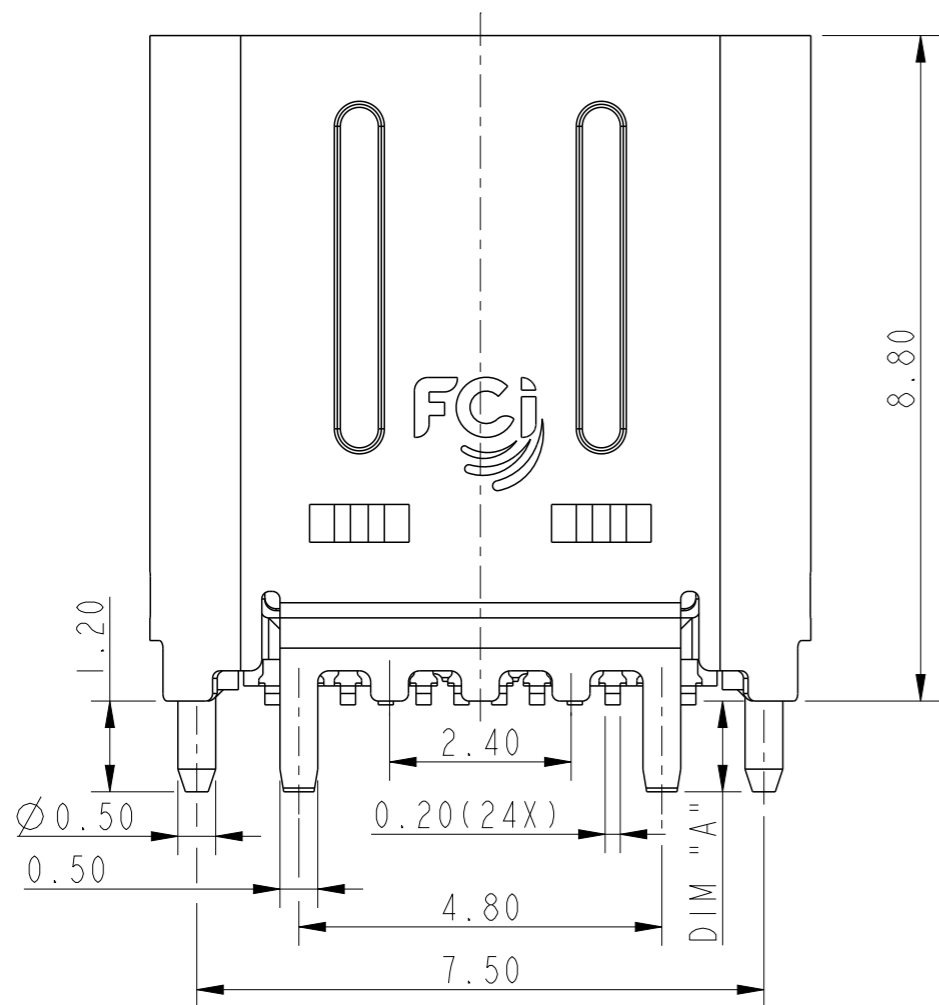
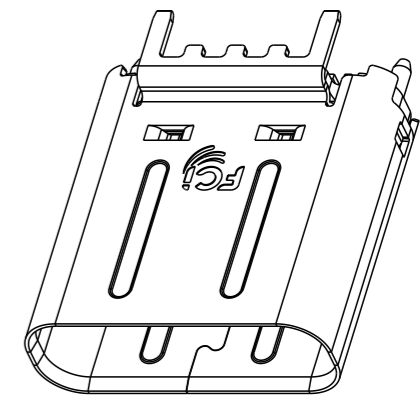
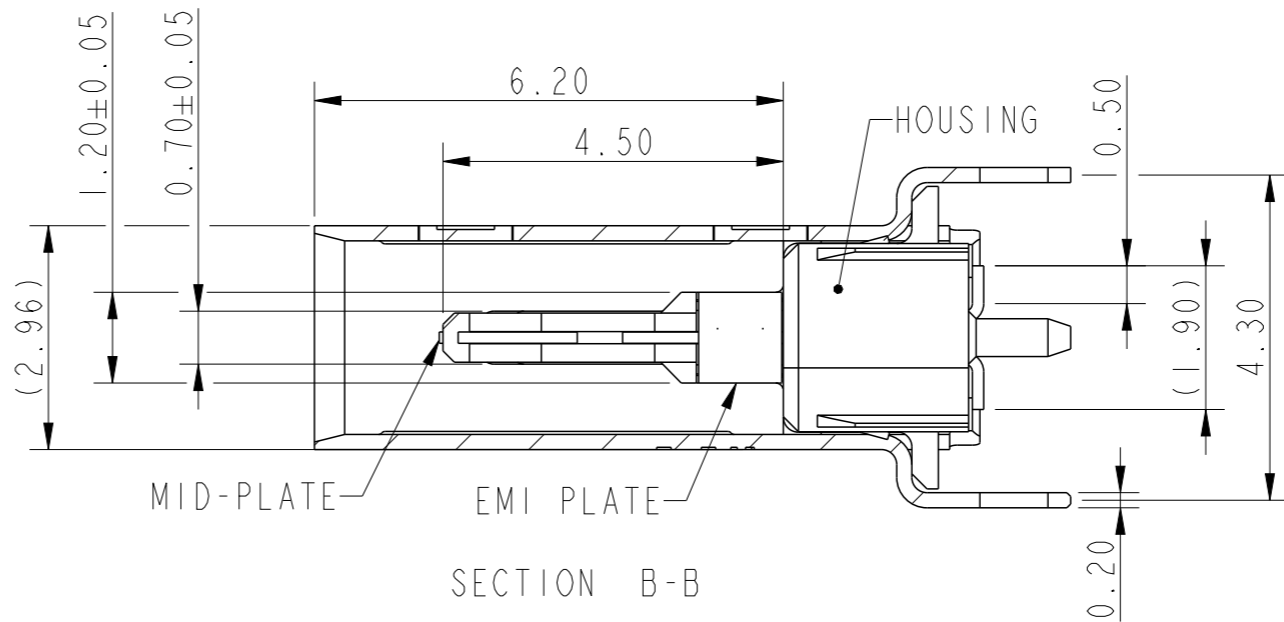
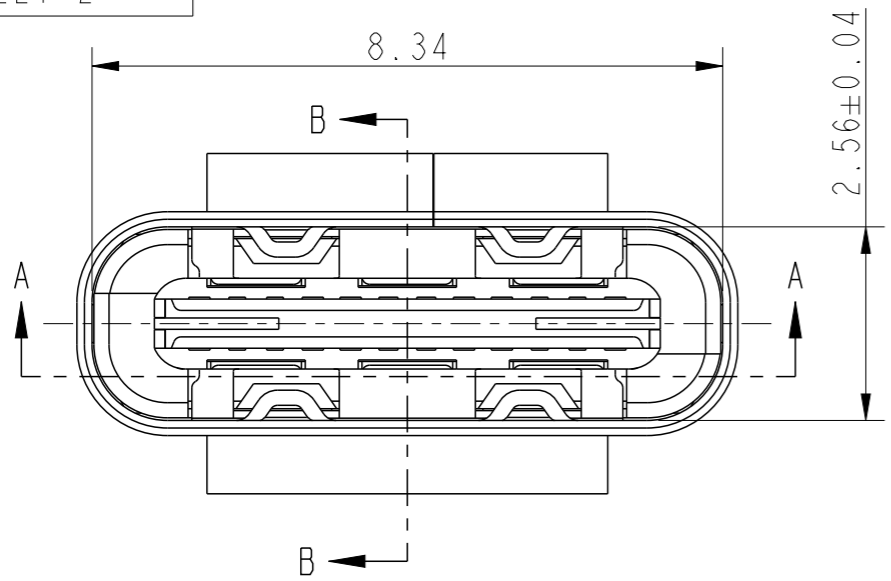


PART NUMBER  
SEE SHEET 2



spec ref	-	dr	Li-Qing Lei	2017/05/18	projection	mm	size	A3	scale	10:1
tolerance std	ISO 406 ISO 1101	eng	Li-Qing Lei	2017/05/18			ecn no	-	rel level	Released
TOLERANCES UNLESS OTHERWISE SPECIFIED		chr	-	-			product family	-	rel level	Released
surface	linear	0.X	±0.25	<b>Amphenol FCI</b>	USB3.1 Type-C		dwg no	10138002	rev	A
		0.XX	±0.15		Vertical, Receptacle					
	angular	0°	±2°		cat. no.	-	Product - Customer Drw	sheet 1 of 3		

NOTE:

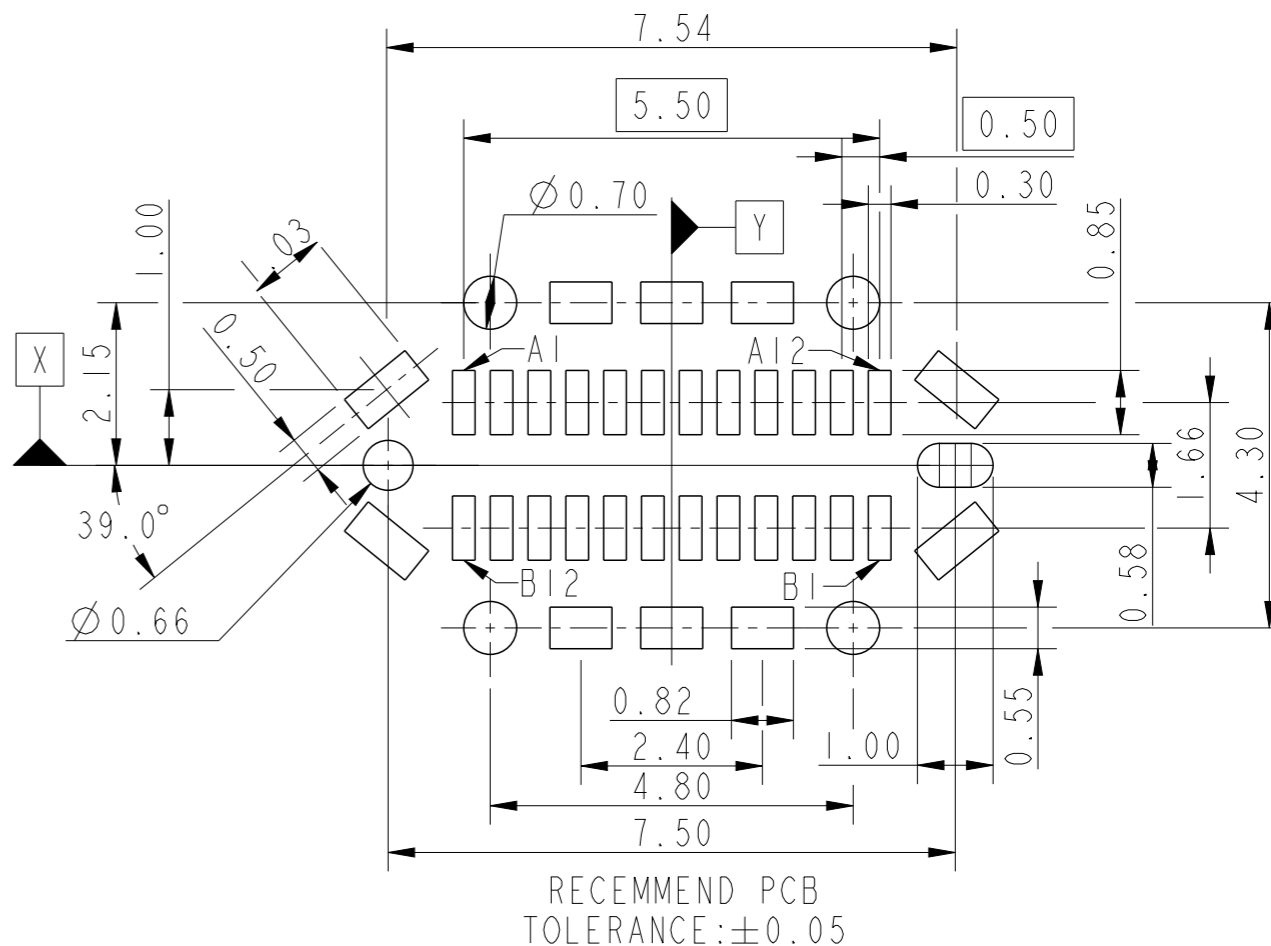
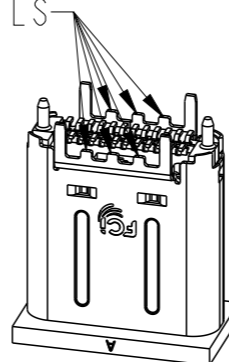
1. MATERIAL:
  - 1.1 HSG: THERMOPLASTIC, BLACK, UL94-V0
  - 1.2 TERMINAL: COPPER ALLOY
  - 1.3 EMI PLATE: STAINLESS STEEL
  - 1.4 MID PLATE: STAINLESS STEEL
  - 1.5 SHIELD: STAINLESS STEEL
2. PLATING:
  - 2.1 TERMINAL: (Min) 0.05 um Au + (Min) 0.75 um Ni-Pd ON CONTACT AREA
  - 2.2 SHELL: PLATING 0.74um MIN Ni OVER AREA.
  - 2.3 EMI: PLATING 0.74um MIN Ni OVER AREA.
  - 2.4 CENTER PLATE: PLATING 0.74 MIN Ni OVER AREA.
3. MECHANICAL CHARACTER:
  - 3.1 INSERTION FORCE: 5~20N;
  - 3.2 EXTRACTION FORCE: 8~20N INITIAL, 6~20N AFTER DURABILITY;
  - 3.3 DURABILITY: 10,000 CYCLES;
  - 3.4 OPERATION TEMPERATURE: -55°C TO +85°C
4. ELECTRICAL CHARACTER:
  - 4.1 LLCR : 40mΩ INITIAL, 50mΩ MAX AFTER ENVIRONMENT TEST;
  - 4.2 INSULATION RESISTANCE: 100MΩ MIN AT 250V DC.
  - 4.3 DIELECTRIC WITHSTAND VOLTAGE: 100VAC MIN.
5. THE HOUSING WILL WITHSTAND EXPOSURE TO 260°C PEAK TEMPERATURE FOR 20 SECONDS IN A CONVECTION, INFRA-RED OR VAPOR PHASE REFLOW ;
6. LEAD FREE PRODUCT MEETS EUROPEAN UNION DIRECTIVES AND OTHER COUNTRY REGULATIONS AS DISCRIBLED IN GS-22-008
7. PRODUCT SPEC: GS-12-1299
8. SOLDER TAILL TO BE COPLANAR WITHIN 0.10 TO EACH OTHER

PRODUCT NUMBER CODE:  
10138002-100XXLF

- THE LENGTH OF SHELL'S LEG OPTION
1. DIM"A"=1.2 WITH 6 SMT TAILS IN THE MIDDLE
  2. DIM"A"=1.6 WITH 6 SMT TAILS IN THE MIDDLE
  3. DIM"A"=1.2 WITHOUT 6 SMT TAILS IN THE MIDDLE
  4. DIM"A"=1.6 WITHOUT 6 SMT TAILS IN THE MIDDLE

- GROUND PIN STATUS (A1/A12/B1/B12)
0. SEPARATED
  1. CONNECTED

6 SMT TAILS



**PIN ASSIGNMENTS**

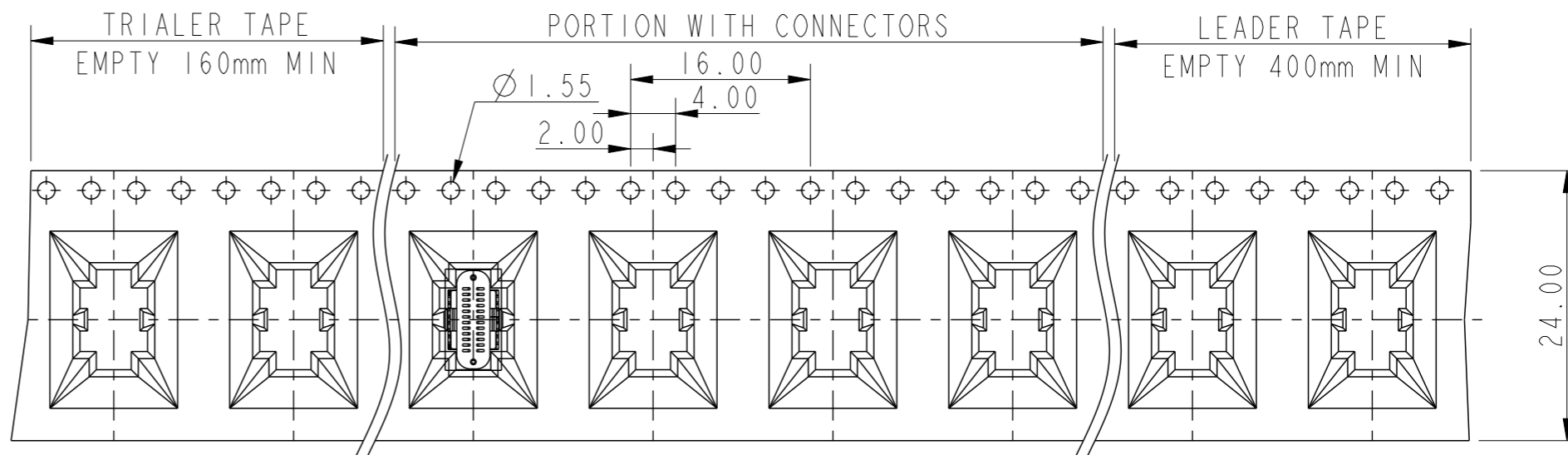
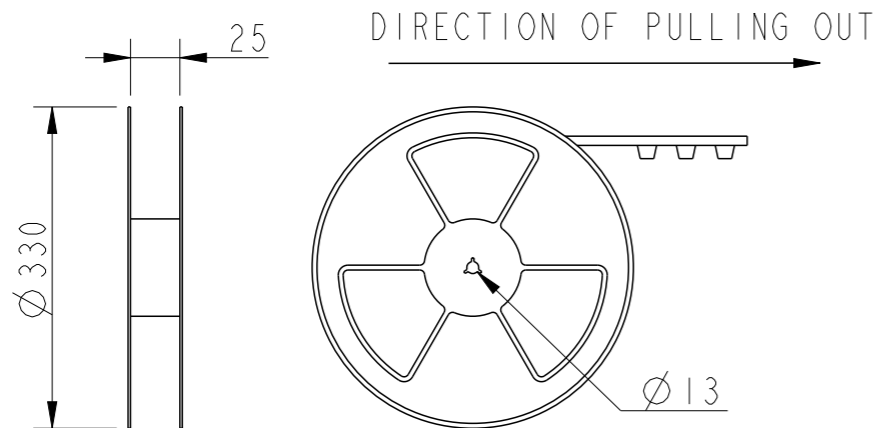
PIN	SIGNAL NAME	PIN	SIGNAL NAME
A1	GND	B12	GND
A2	SSTXp1	B11	SSRXp1
A3	SSTXn1	B10	SSRXn1
A4	VBUS	B9	VBUS
A5	CC1	B8	SBU2
A6	Dp1	B7	Dn2
A7	Dn1	B6	Dp2
A8	SBU1	B5	CC2
A9	VBUS	B4	VBUS
A10	SSRXn2	B3	SSTXn2
A11	SSRXp2	B2	SSTXp2
A12	GND	B1	GND

NOTE: TX AND RX ARE DEFINED FORM THE HOST PERSPECTIVE

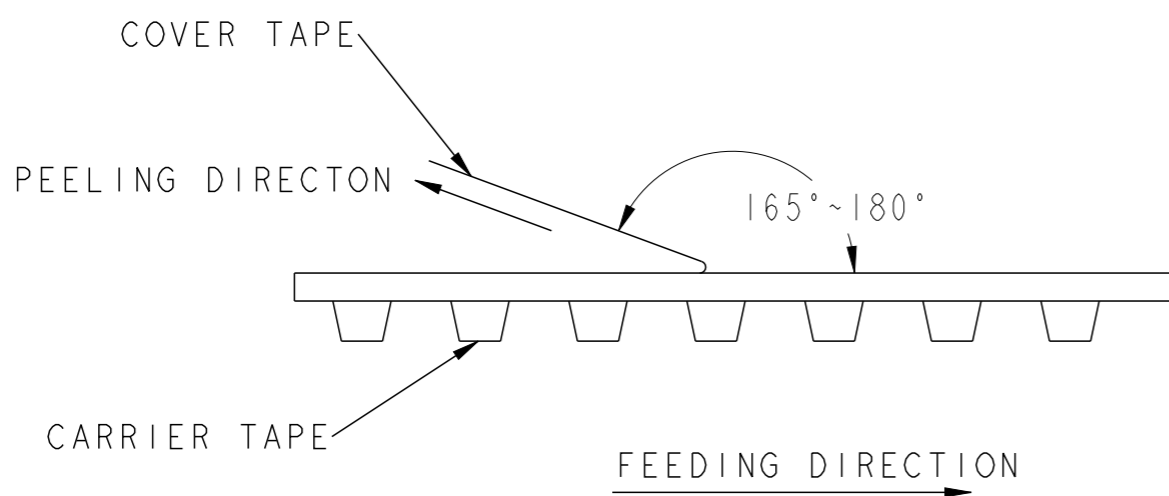
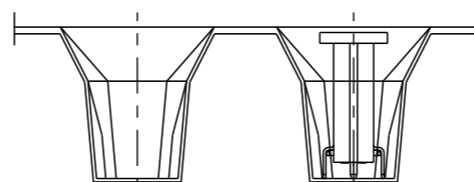
spec ref	-	dr	Li-Qing Lei	2017/05/18	projection	mm	size	A3	scale	10:1
tolerance std	ISO 406 ISO 1101	eng	Li-Qing Lei	2017/05/18			ecn no		rel level	
TOLERANCES UNLESS OTHERWISE SPECIFIED		chr	-	-			-		Released	
surface	linear	appr	Tim Yao	2017/05/18	product family		dwg no		rev	
	angular	Amphenol FCI		USB3.1 Type-C Vertical, Receptacle		10138002		A		
ISO 1302	0.X ±0.25 0.XX ±0.15 0.XXX ±0.10 0° ±2°	cat. no.		Product - Customer Drw		sheet 2 of 3				

TAPE REEL PACKAGE  
Q'TY: (350)EA/REEL

A



B



SHOWS THE METHOD OF COVER TAPE'S PEELING FORCE MEASURMENT.  
PEELING FORCE MUST BE 0.1 TO 1.3N AT THE SPEED OF 300MM/MIN.

D

spec ref	-	dr	Li-Qing Lei	2017/05/18	projection	mm	size	A3	scale	1:1
tolerance std	ISO 406 ISO 1101	eng	Li-Qing Lei	2017/05/18			ecn no	-	rel level	Released
surface	linear	chr	-	-			product family	rel level	Released	
ISO 1302	angular	appr	Tim Yao	2017/05/18	Amphenol FCI	USB3.1 Type-C Vertical, Receptacle	cat. no.	Product - Customer Drw	sheet 3 of 3	
							dwg no	10138002	rev	A

A

B

C

D

## X-ON Electronics

Largest Supplier of Electrical and Electronic Components

*Click to view similar products for [Amphenol](#) manufacturer:*

Other Similar products are found below :

[PT01SE-16-8P\(027\)](#) [PT01SE-16-8P\(476\)](#) [CTV06RW-11-2JB-LC](#) [97-3108A-22-14P](#) [10-474017-10P](#) [MS27473P14B18S](#) [TV06RW-25-90AE](#)  
[PT02E10-2PW](#) [PT02E10-2PX](#) [97-3106A18-3PX-958](#) [97-3106A18-3PY-958](#) [TV06RL-13-35AD](#) [TV06RL-13-98BD](#) [TV06RW-25-46AE](#)  
[TV06RL-13-35SD-LC](#) [TV06RL-13-35SD](#) [TV06RL-13-98SD-LC](#) [TV06RL-13-98SD](#) [TVP00RW-23-53AD](#) [PT02E10-2PW-025](#) [100-007-213-](#)  
[002-001](#) [2M805-002-16NF23-12PA](#) [97-3108B16S-5PW-417](#) [97-3108B16S-5PY-417](#) [CS-DSDMDB37MF-025](#) [97-3108B16S-5PZ-417](#)  
[PT06SE2041P](#) [CF-5A9013-04N](#) [CF-6A4615-06N](#) [GTC02R32-17S-025-RDS-LC](#) [GTC02R32-17S-025-LC](#) [PT06SE-24-61P\(LC\)](#) [SP28W1F](#)  
[TV07DT-25-37P](#) [TV07DT-25-37JN-LC](#) [TV07DT-25-37S](#) [TV07DT-25-37S-LC](#) [TV07DT-25-46P-LC](#) [97-3101A20-21P-958](#) [TV07DT-25-](#)  
[90P-LC](#) [TV07DT-25-46A](#) [TV07DT-25-37P-LC](#) [GTS08-36-22PZ-025-B30](#) [PT00SP2241P](#) [LJT06RT-15-35PB\(023\)](#) [TV06RW-23-53AB](#)  
[LJT06RT-15-68PB-023](#) [97-3106A-22-9S\(621\)](#) [PT06A14-4S-005](#) [TVS07RF-15-19BB](#)