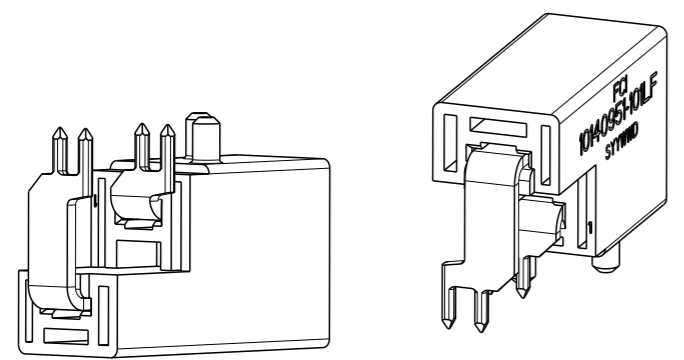
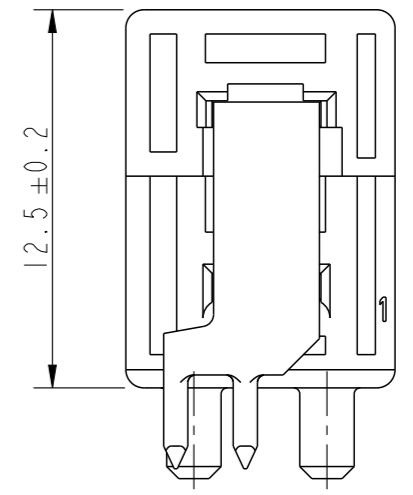
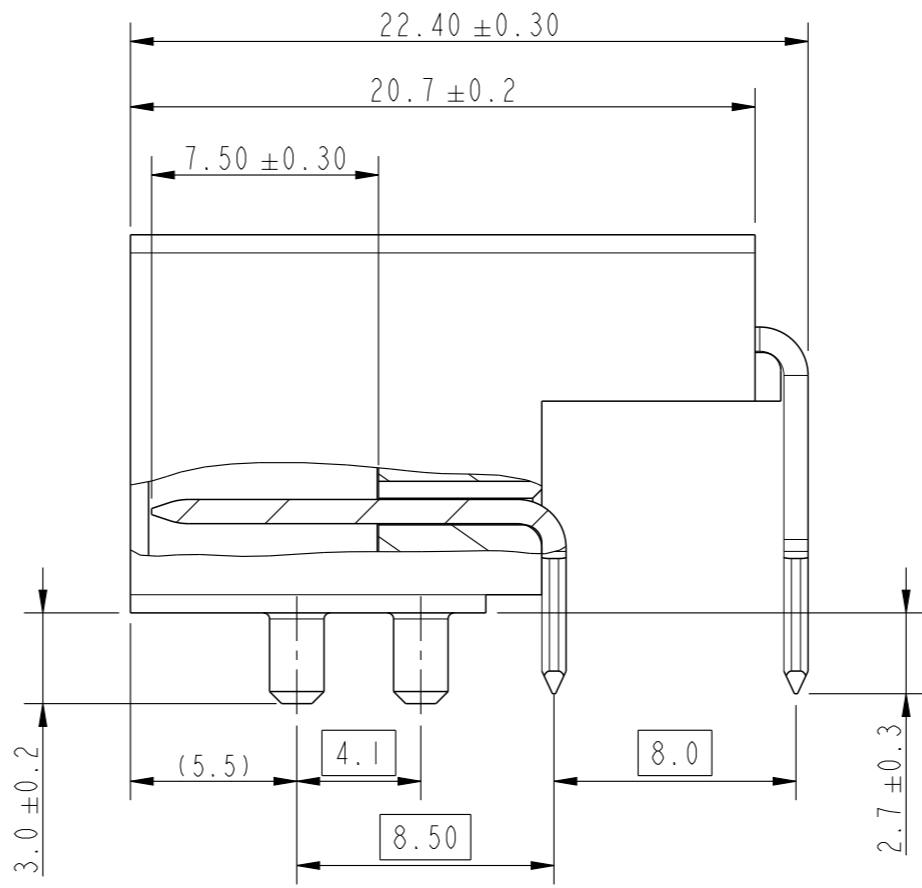
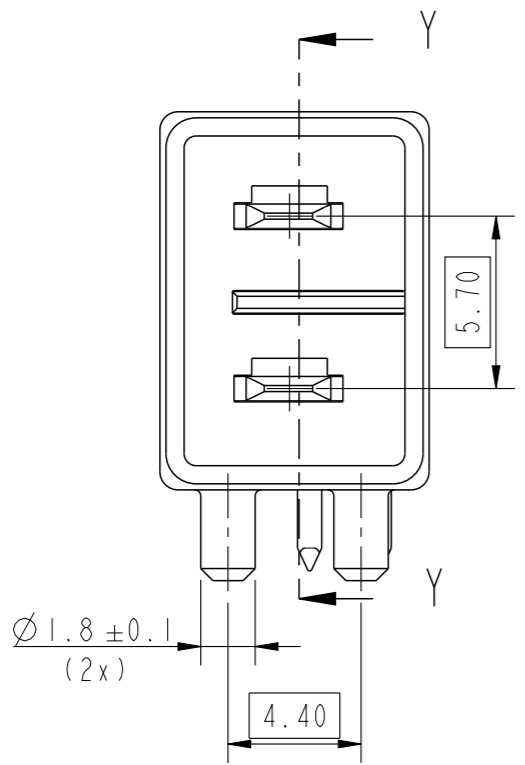
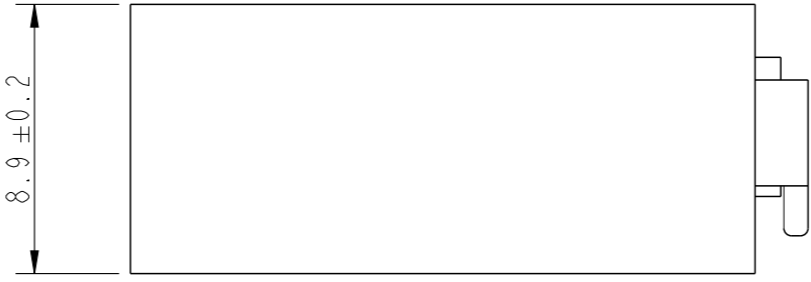


PRODUCT NUMBER
10140951-101LF

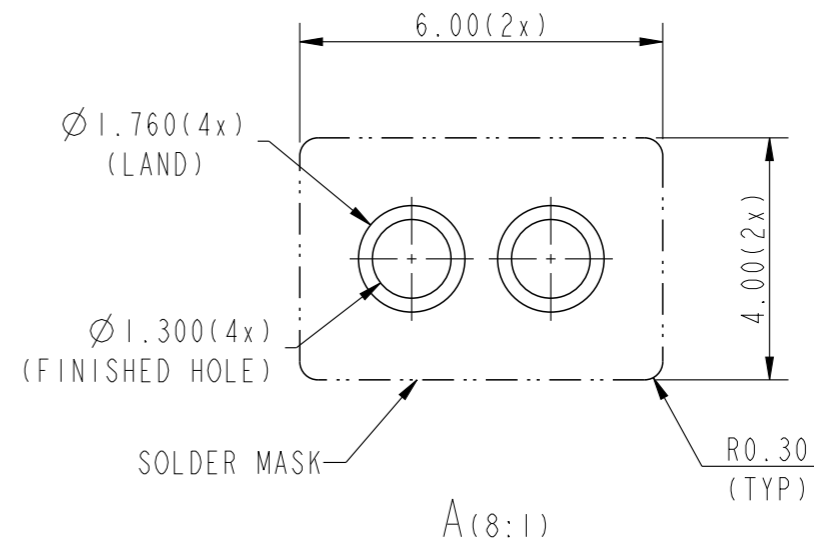
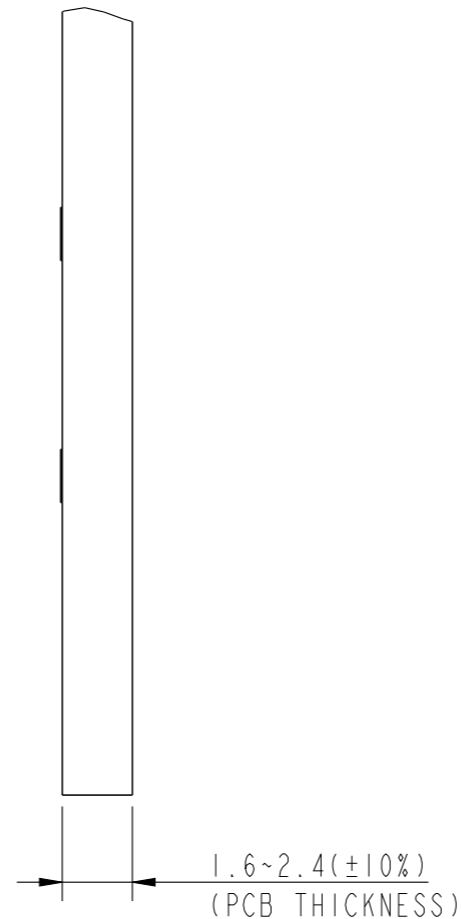
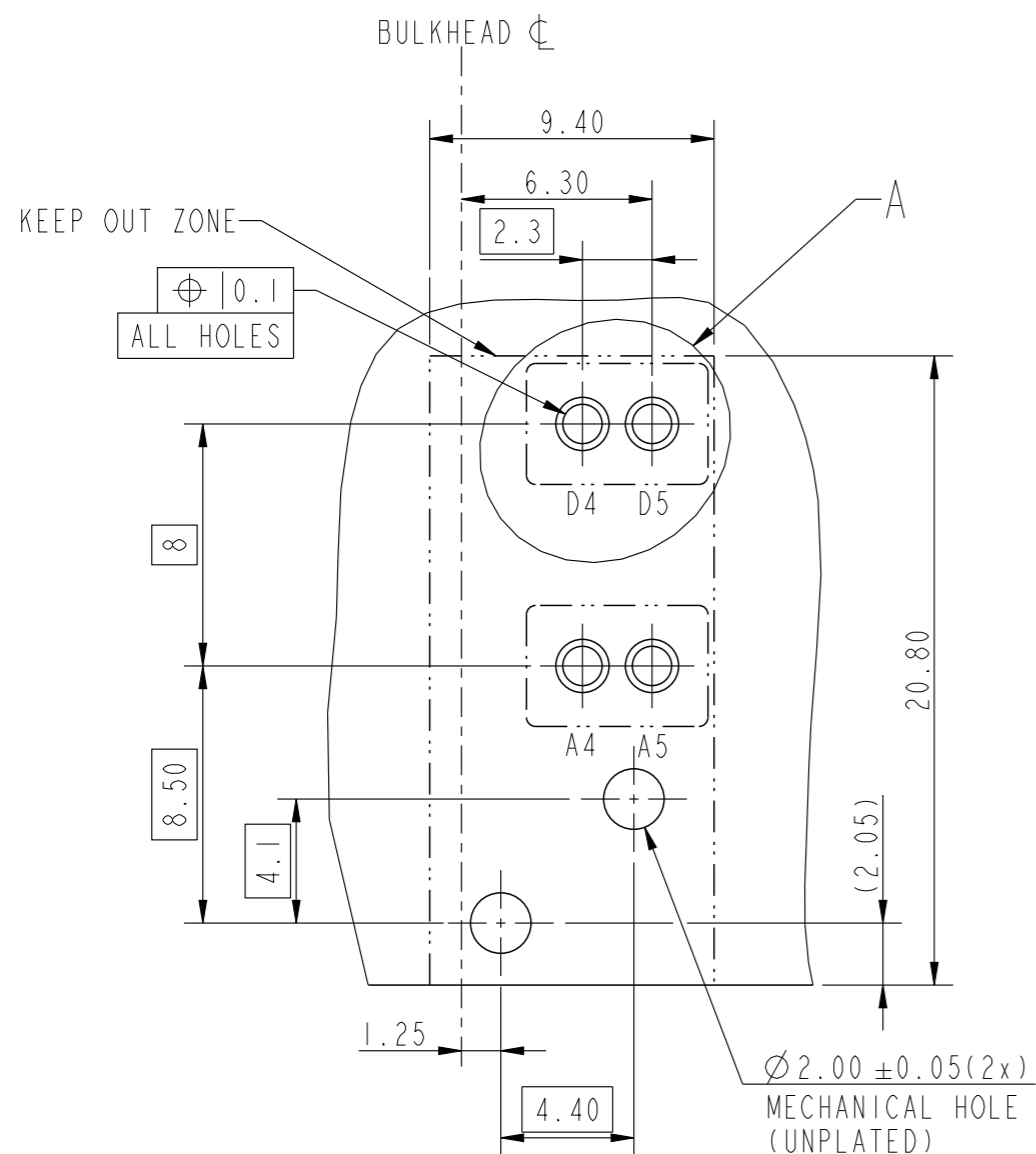


spec ref	-	dr	Jibin John	2017/09/26	projection	mm	size	A3	scale	2:1
tolerance std	ISO 406 ISO 1101	eng	Stalin Alosius	2017/10/16			ecn no	-	rel level	Released
TOLERANCES UNLESS OTHERWISE SPECIFIED		chr	-	-			product family	VERIO	rel level	Released
surface	linear	0.X	±0.3	Amphenol FCI	VERIO 2 POS POWER RA BOARD CONNECTOR WITH PIP TERMINATION		dwg no	10140951	rev	A
		0.XX	±0.10				cat. no.	-	Product - Customer Drw	sheet 1 of 4
	angular	0°	±2°				PDS: Rev :A		STATUS:Released	

Amphenol
FCi

© 2016 AFCI

VIEW FROM COMPONENT SIDE



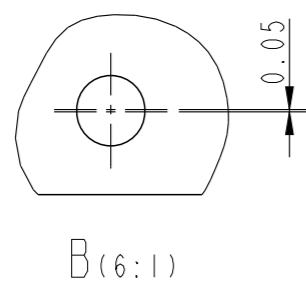
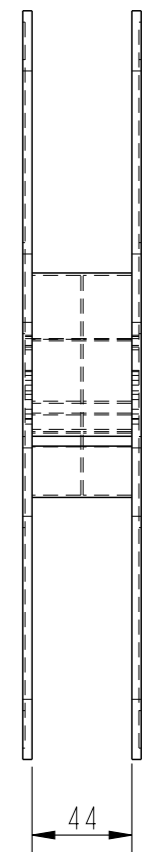
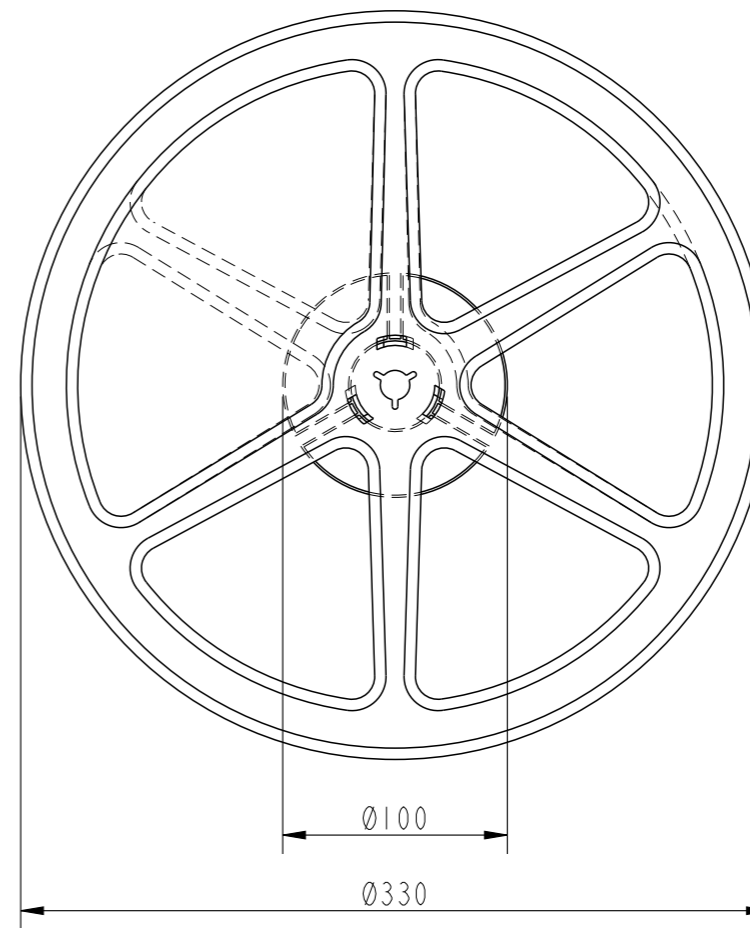
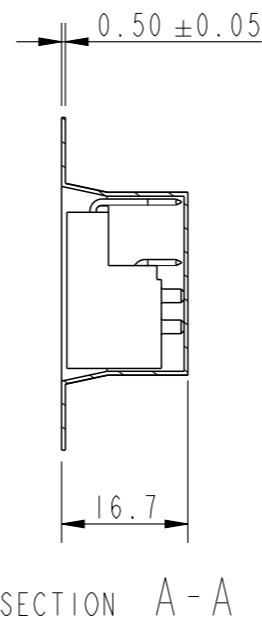
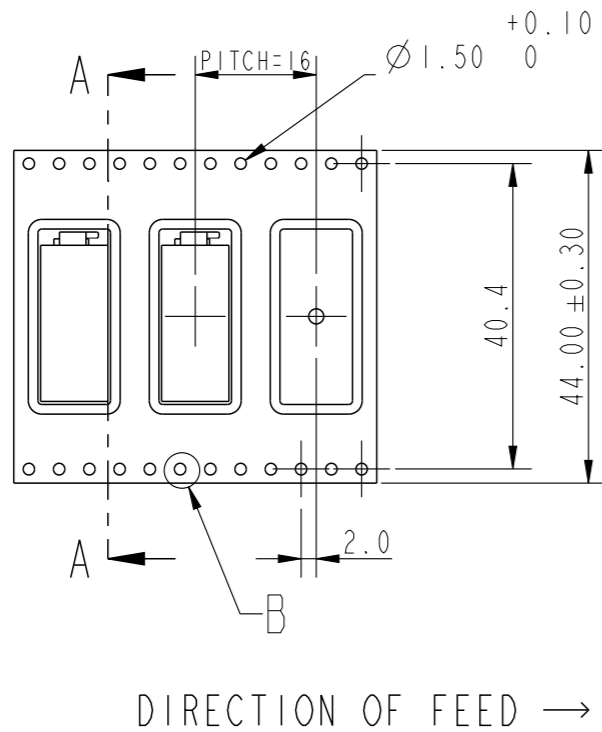
NOTES:

- MATERIAL :
- RESIN - LCP, GLASS FILLED, FLAME RETARDANT ACC
FLAMMABILITY CLASSIFICATION - UL94-V0
- POWER CONTACTS - COPPER ALLOY
- PLATING :
- PURE TIN ON POWER CONTACTS
- PRODUCT SPECIFICATION: GS-12-1428
- APPLICATION SPECIFICATION: GS-20-XXXX
- PACKAGING - TAPE & REEL
- UNDER PLATING FOR CONTACTS IS 1.27µm NICKEL.
- PRODUCT WILL WITHSTAND EXPOSURE TO 260° FOR 60 SECONDS IN A CONVECTION, INFRA RED OR VAPOUR PHASE REFLOW OVEN
- PRODUCT WHERE THE PARTNUMBER ENDS IN LF MEETS EUROPEAN DIRECTIVES AND OTHER COUNTRY REGULATIONS AS DESCRIBED IN GS-47-0004.

	POWER PTH DETAILS
DRILLED HOLE	1.37-1.42mm
COPPER PLATING	25-50µm
TIN PLATING	0.8-1.2µm
FINISHED HOLE DIA	1.25-1.35mm

spec ref	-	dr	Jibin John	2017/09/26	projection	mm	size	A3	scale	1:1
tolerance std	ISO 406 ISO 1101	eng	Stalin Alosius	2017/10/16			ecn no	-	rel level	Released
TOLERANCES UNLESS OTHERWISE SPECIFIED		chr	-	-			product family			
surface	linear	0.X	±0.3		VERIO 2 POS POWER RA BOARD CONNECTOR		dwg no	10140951	rev	A
		0.XX	±0.10		WITH PIP TERMINATION					
	angular	0°	±2°		cat. no.	-	Product - Customer Drw	sheet 2 of 4		

PACKAGING SPECIFICATION

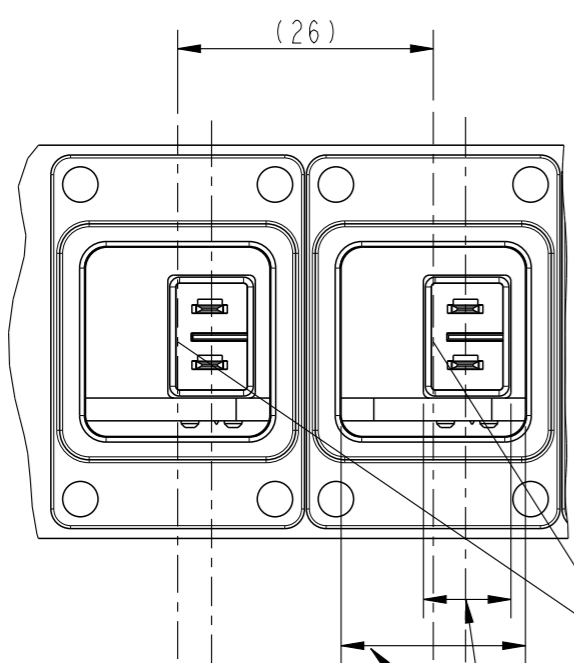
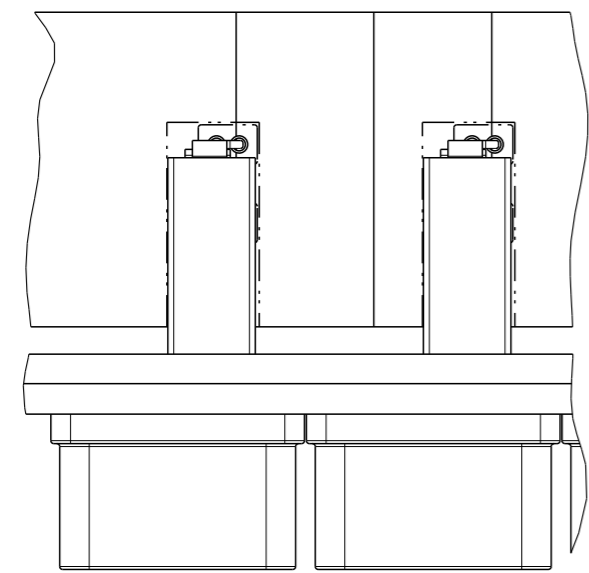


TAPE & REEL PACKING DETAILS

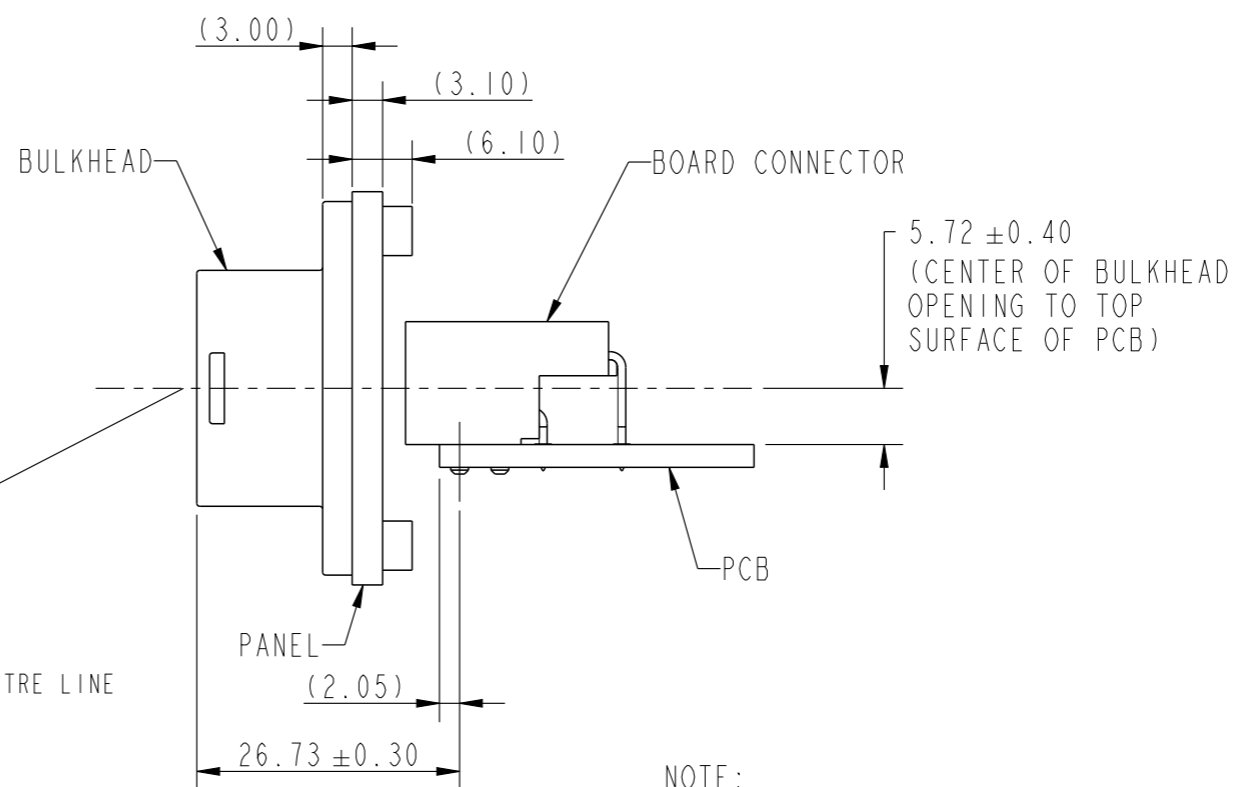
NOTES:

1. PACKAGING DETAILS AS PER EIA-481 STD.
2. MATERIAL : (ANTISTATIC)
CARRIER TAPE : POLYSTYRENE
COVER TAPE : POLYSTYRENE

spec ref	-	dr	Jibin John	2017/09/26	projection	mm	size	A3	scale	3:10
tolerance std	ISO 406 ISO 1101	eng	Stalin Alosius	2017/10/16			ecn no	-	rel level	Released
TOLERANCES UNLESS OTHERWISE SPECIFIED		chr	-	-			product family			
surface	linear	0.X	±0.3	Amphenol FCI	VERIO 2 POS POWER RA BOARD CONNECTOR WITH PIP TERMINATION		dwg no	10140951	rev	A
		0.XX	±0.10				cat. no.	Product - Customer Drw	sheet 3 of 4	
ISO 1302	angular	0°	±2°							



±0.60
CENTERING OF THE BOARD
CONNECTOR WITH BULKHEAD
CAVITY



NOTE:
1. REFER DRAWING 10140956 FOR BULKHEAD DETAILS

BOARD CONNECTOR
WITH BULKHEAD

spec ref	-	dr	Jibin John	2017/09/26	projection	mm	size	A3	scale	1:2	
tolerance std	ISO 406 ISO 1101	eng	Stalin Alosius	2017/10/16			ecn no	-	rel level		Released
TOLERANCES UNLESS OTHERWISE SPECIFIED		chr	-	-			product family	VERIO			
surface	linear	0.X	±0.3	Amphenol FCi	VERIO 2 POS POWER RA BOARD CONNECTOR		dwg no 10140951	rev		A	
		0.XX	±0.10		WITH PIP TERMINATION						
	angular	0°	±2°		cat. no.	Product - Customer Drw		sheet 4 of 4			

X-ON Electronics

Largest Supplier of Electrical and Electronic Components

Click to view similar products for [Power to the Board](#) category:

Click to view products by [Amphenol](#) manufacturer:

Other Similar products are found below :

[10131318-08512GRLF](#) [6450171-4](#) [6450552-7](#) [6600323-8](#) [6643429-1](#) [6646040-2](#) [6651939-1](#) [6766604-1](#) [120959-1](#) [1393557-2](#) [1393532-2](#)
[1393532-3](#) [1393532-4](#) [1393557-1](#) [1600812-5](#) [1-6450861-2](#) [1645595-1](#) [1743490-1](#) [1744132-7](#) [1761122-1](#) [1766169-1](#) [1766250-1](#) [18362](#)
[1892109-1](#) [1-967627-6](#) [2226808-1](#) [2-6450860-5](#) [2-6450860-6](#) [2-6450870-0](#) [93003-0502](#) [953552-1](#) [1-6450161-4](#) [1-6450850-6](#) [1645526-2](#) [1-](#)
[6600130-0](#) [1743419-1](#) [1766150-1](#) [2005243-2](#) [211110-1](#) [2-6600130-2](#) [TE34-12-16P-F0](#) [51700-10201602AALF](#) [5-6450830-6](#) [5646956-4](#)
[36662-0005](#) [40585-3000](#) [4-6450830-9](#) [4-6600333-3](#) [51142-0214](#) [10125416-4050LF](#)