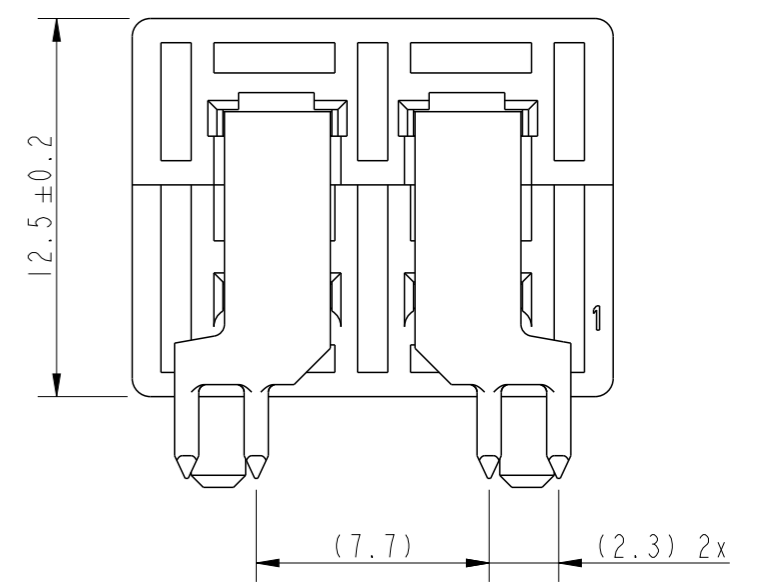
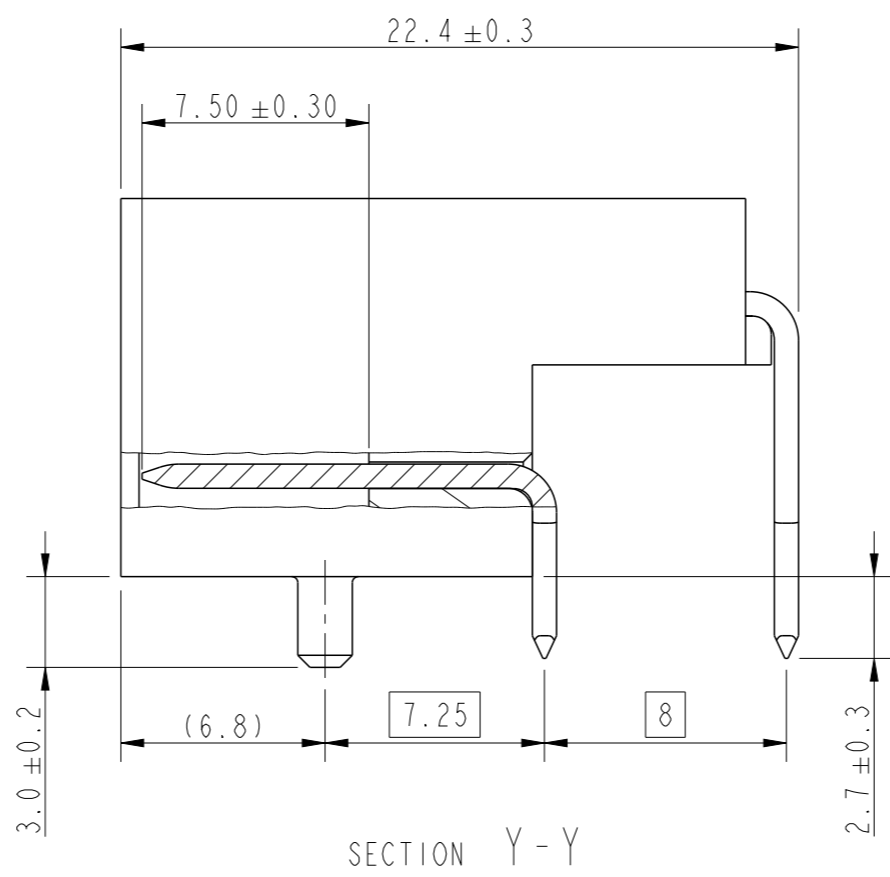
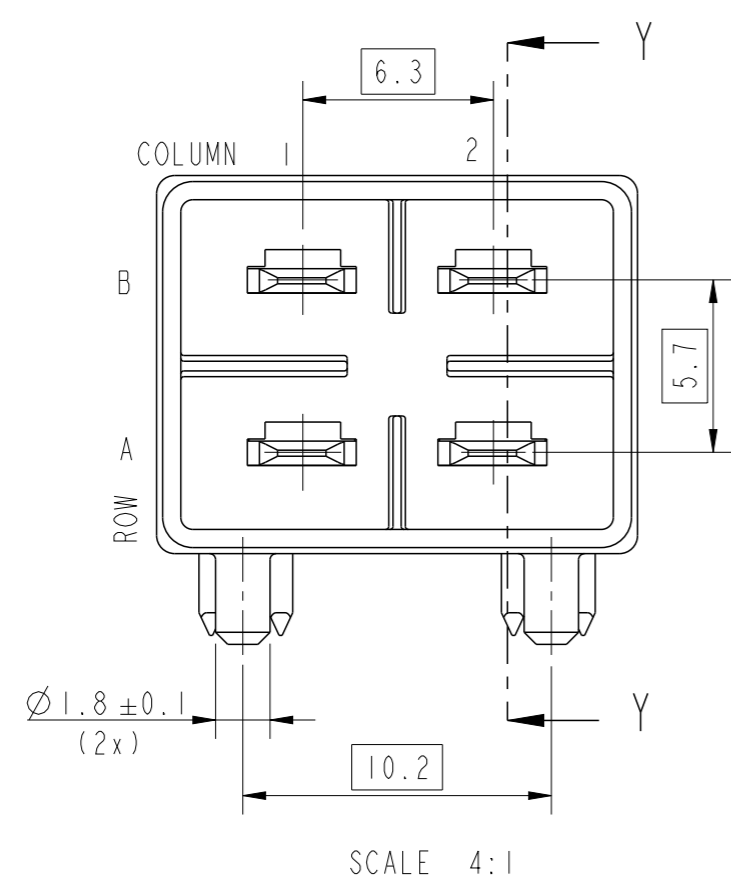


PRODUCT NUMBER  
SEE TABLE ON THIS PAGE



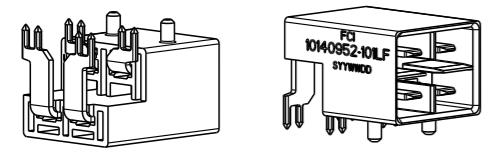
PART NO.	ROW	COLUMN	
		1	2
10140952-101LF	B	X	X
	A	X	X
10140952-102LF	B	X	-
	A	X	X

'X' INDICATES CONTACT LOADING POSITION



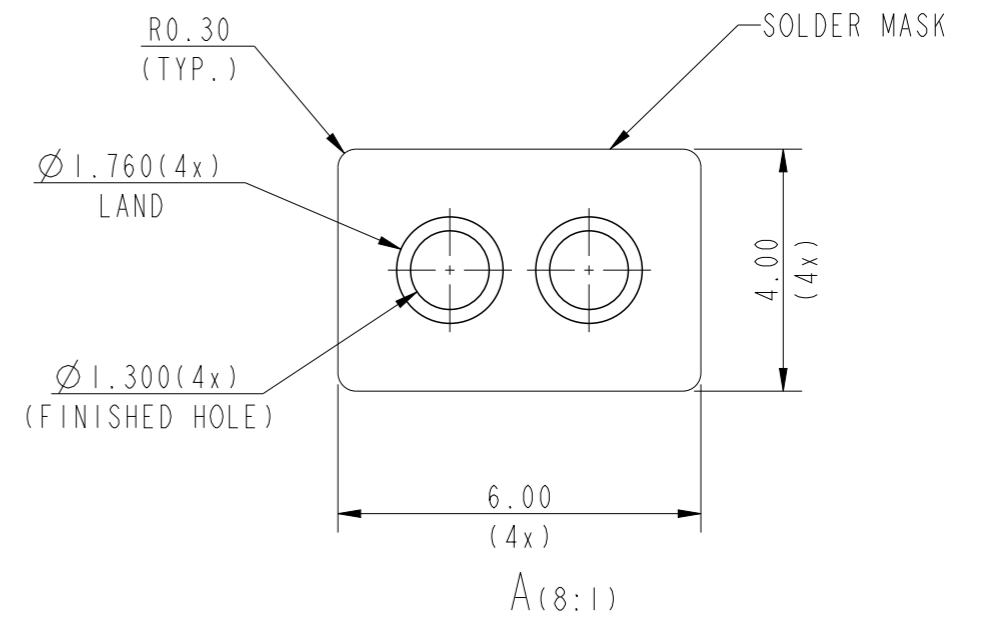
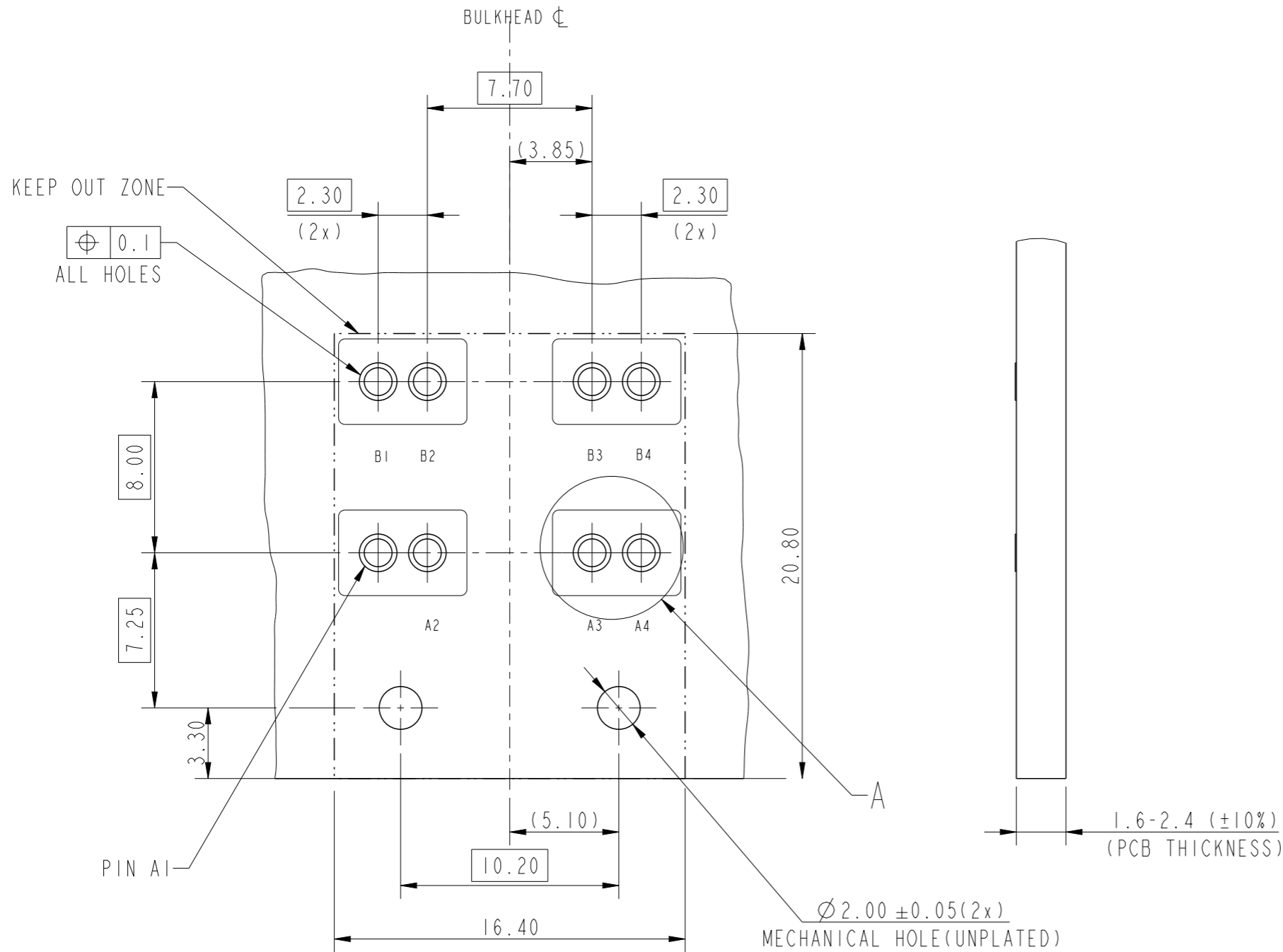
Amphenol  
FCi

© 2016 AFCI



spec ref	-	dr	Jibin John	2017/09/26	projection	mm	size	A3	scale	2:1
tolerance std	ISO 406 ISO 1101	eng	Stalin Alosius	2017/10/16			ecn no	-	rel level	Released
TOLERANCES UNLESS OTHERWISE SPECIFIED		chr	-	2017/10/16						
surface	linear	0.X	±0.3	<b>Amphenol FCi</b>	VERIO POWER RA 2X2 BOARD CONNECTOR WITH PIP TERMINATION		dwg no	10140952	rev	A
		0.XX	±0.13							
		0.XXX	±0.050							
ISO 1302	angular	0°	±2°	cat. no.	-	Product - Customer Drw	sheet 1 of 4			

# VIEW FROM COMPONENT SIDE



### NOTES:

- MATERIAL :  
- RESIN - LCP, GLASS FILLED, FLAME RETARDANT ACC  
FLAMMABILITY CLASSIFICATION - UL94-V0  
- POWER CONTACTS - COPPER ALLOY
- PLATING :  
- PURE TIN ON POWER CONTACTS
- PRODUCT SPECIFICATION: GS-12-1428
- APPLICATION SPECIFICATION: GS-20-XXXX
- PACKAGING - TAPE & REEL
- UNDER PLATING FOR CONTACTS IS 1.27 $\mu$ m NICKEL.
- PRODUCT WILL WITHSTAND EXPOSURE TO 260° FOR 60 SECONDS IN A CONVECTION, INFRA RED OR VAPOUR PHASE REFLOW OVEN
- PRODUCT WHERE THE PARTNUMBER ENDS IN LF MEETS EUROPEAN DIRECTIVES AND OTHER COUNTRY REGULATIONS AS DESCRIBED IN GS-47-0004.

NOTE: ABOVE PCB IS FOR P/N 10140952-101LF  
FOR 10140952-102LF, REMOVE THE HOLES B3, B4

SCALE 4:1

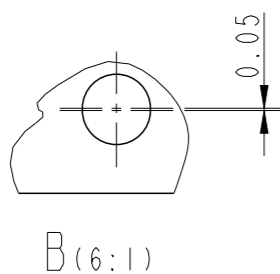
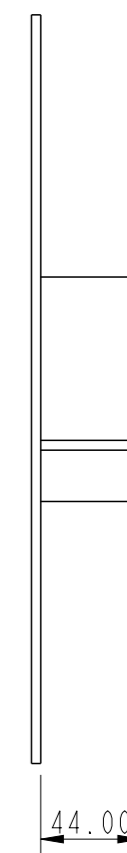
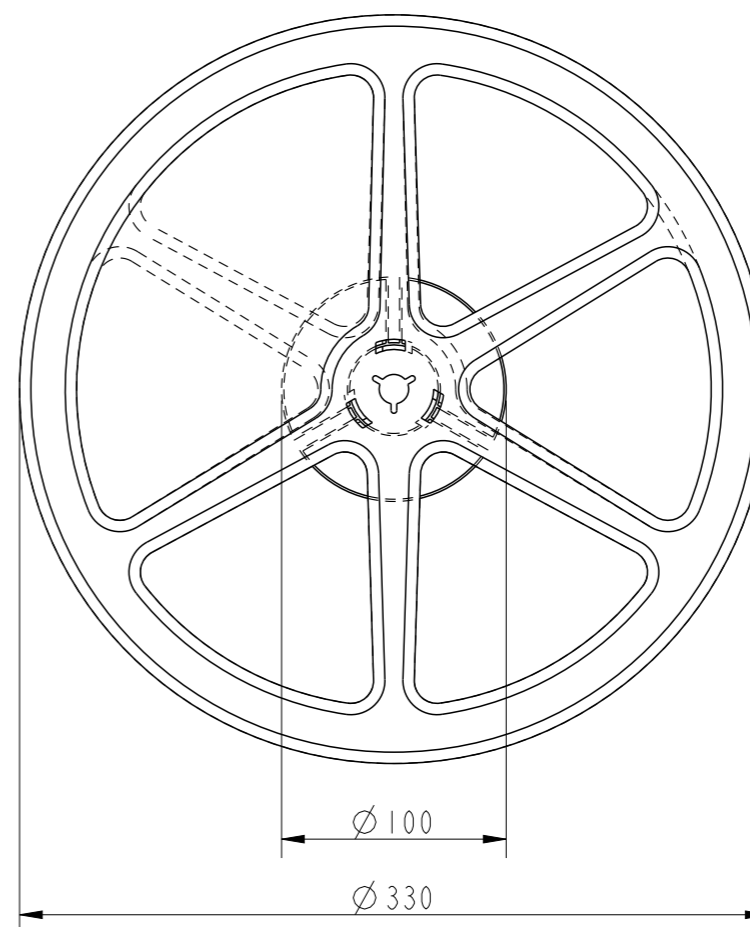
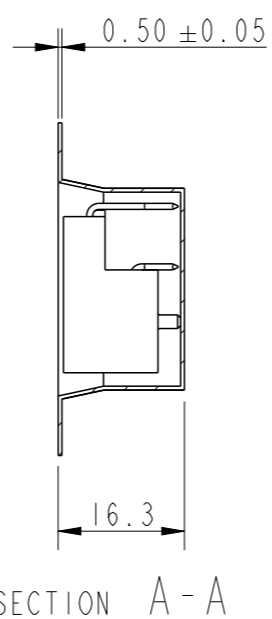
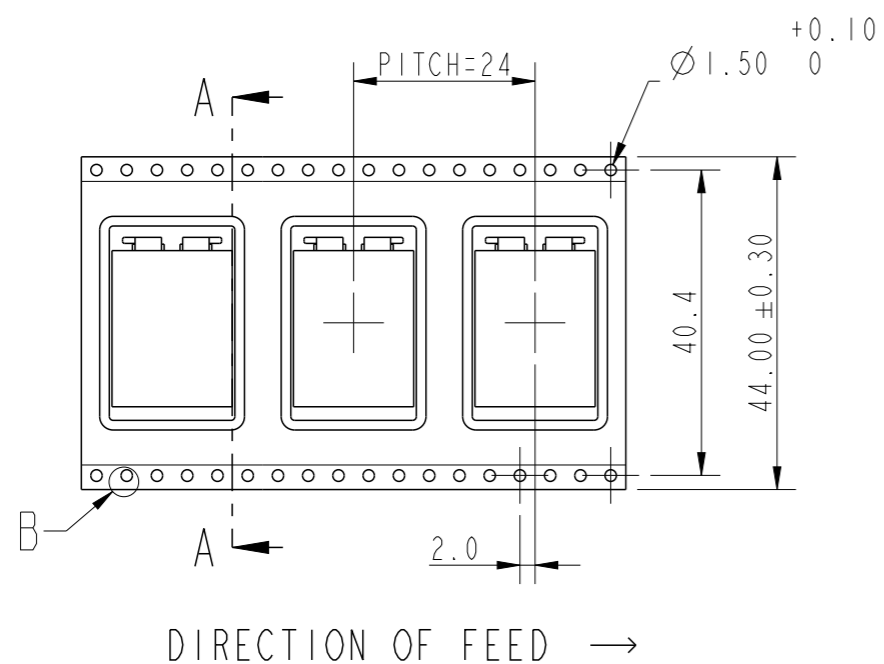
POWER PTH DETAILS	
DRILLED HOLE	1.37-1.42mm
COPPER PLATING	25-50 $\mu$ m
TIN PLATING	0.8-1.2 $\mu$ m
FINISHED HOLE DIA	1.25-1.35mm

spec ref	-	dr	Jibin John	2017/09/26	projection	mm	size	A3	scale	2:1
tolerance std	ISO 406 ISO 1101	eng	Stalin Alosius	2017/10/16			ecn no	-	rel level	Released
TOLERANCES UNLESS OTHERWISE SPECIFIED		chr	-	-						
surface	linear	appr	K-Paul Biju	2017/10/16	product family	VERIO	rel level	Released	dwg no	10140952
	angular								rev	A
									cat. no.	-
									Product - Customer Drw	sheet 2 of 4



VERIO POWER RA 2X2 BOARD CONNECTOR  
WITH PIP TERMINATION

# PACKAGING SPECIFICATION

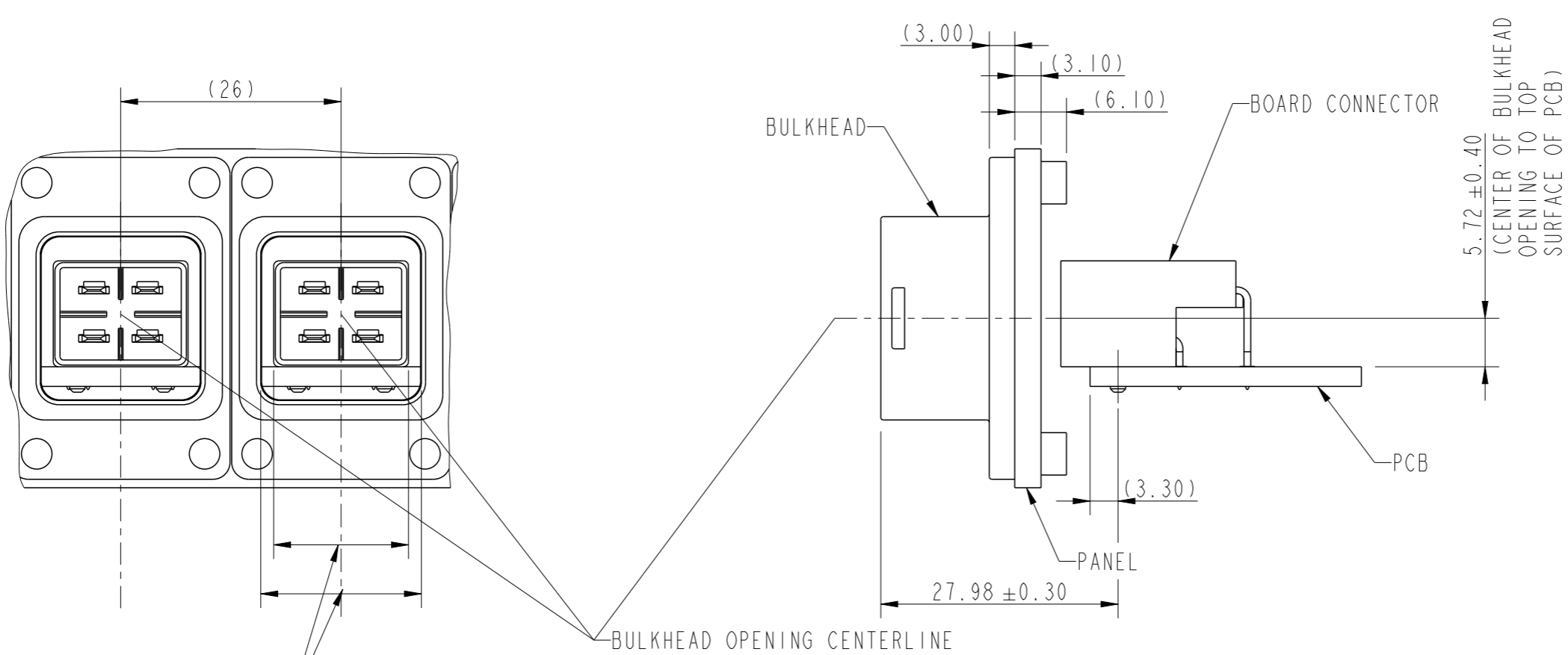
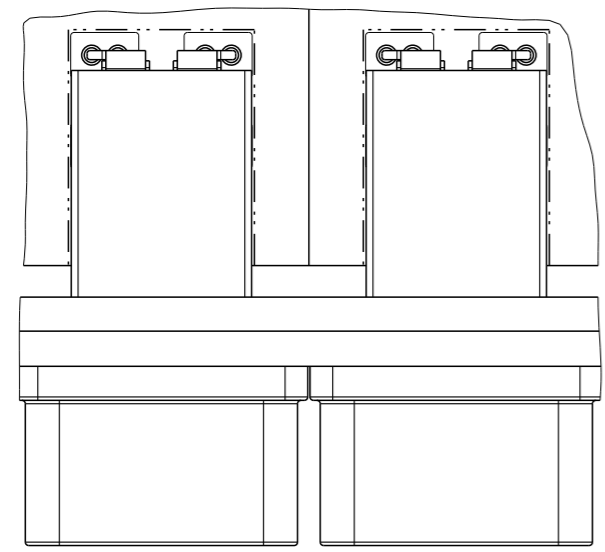


## TAPE & REEL PACKING DETAILS

### NOTES:

1. PACKAGING DETAILS AS PER EIA-481 STD.
2. MATERIAL : (ANTISTATIC)  
CARRIER TAPE : POLYSTYRENE  
COVER TAPE : POLYSTYRENE

spec ref	-			dr	Jibin John	2017/09/26	projection	mm	size	A3	scale	2:1
tolerance std	TOLERANCES UNLESS OTHERWISE SPECIFIED			eng	Stalin Alosius	2017/10/16			ecn no		-	
ISO 406 ISO 1101				chr	-	-			rel level		Released	
surface	linear	0.X	±0.3	appr	K-Paul Bijju	2017/10/16	product family	VERIO	dwg no	10140952	rev	A
ISO 1302	angular	0°	±2°				VERIO POWER RA 2X2 BOARD CONNECTOR WITH PIP TERMINATION	cat. no.	-	Product - Customer Drw	sheet 3 of 4	



NOTE:

1. REFER DRAWING 10140956 FOR BULKHEAD DETAILS

BOARD CONNECTOR  
WITH BULKHEAD

spec ref	-	dr	Jibin John	2017/09/26	projection	mm	size	A3	scale	1:2
tolerance std	ISO 406 ISO 1101	eng	Stalin Alosius	2017/10/16			ecn no	-	rel level	Released
TOLERANCES UNLESS OTHERWISE SPECIFIED		chr	-	-			product family			
surface	linear	0.X	±0.3	<b>Amphenol FCi</b>	VERIO POWER RA 2X2 BOARD CONNECTOR		dwg no	10140952	rev	A
		0.XX	±0.13		WITH PIP TERMINATION					
	angular	0°	±2°		cat. no.	Product - Customer Drw	sheet 4 of 4			

## X-ON Electronics

Largest Supplier of Electrical and Electronic Components

*Click to view similar products for [Power to the Board](#) category:*

*Click to view products by [Amphenol](#) manufacturer:*

Other Similar products are found below :

[10131318-08512GRLF](#) [6450171-4](#) [6450552-7](#) [6600323-8](#) [6643429-1](#) [6646040-2](#) [6651939-1](#) [6766604-1](#) [120959-1](#) [1393557-2](#) [1393532-2](#)  
[1393532-3](#) [1393532-4](#) [1393557-1](#) [1600812-5](#) [1-6450861-2](#) [1645595-1](#) [1743490-1](#) [1744132-7](#) [1761122-1](#) [1766169-1](#) [1766250-1](#) [18362](#)  
[1892109-1](#) [1-967627-6](#) [2226808-1](#) [2-6450860-5](#) [2-6450860-6](#) [2-6450870-0](#) [93003-0502](#) [953552-1](#) [1-6450161-4](#) [1-6450850-6](#) [1645526-2](#) [1-](#)  
[6600130-0](#) [1743419-1](#) [1766150-1](#) [2005243-2](#) [211110-1](#) [2-6600130-2](#) [TE34-12-16P-F0](#) [51700-10201602AALF](#) [5-6450830-6](#) [5646956-4](#)  
[36662-0005](#) [40585-3000](#) [4-6450830-9](#) [4-6600333-3](#) [51142-0214](#) [10125416-4050LF](#)