

PRODUCT DESCRIPTION CODE :

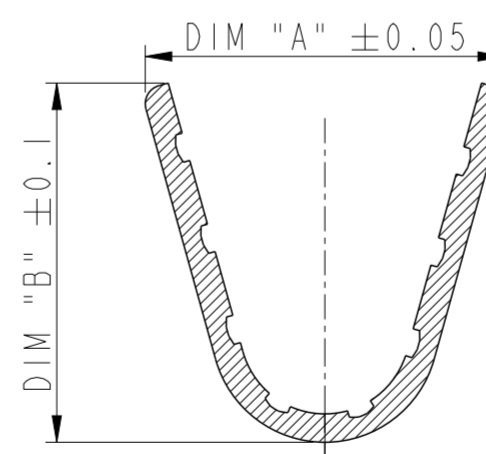
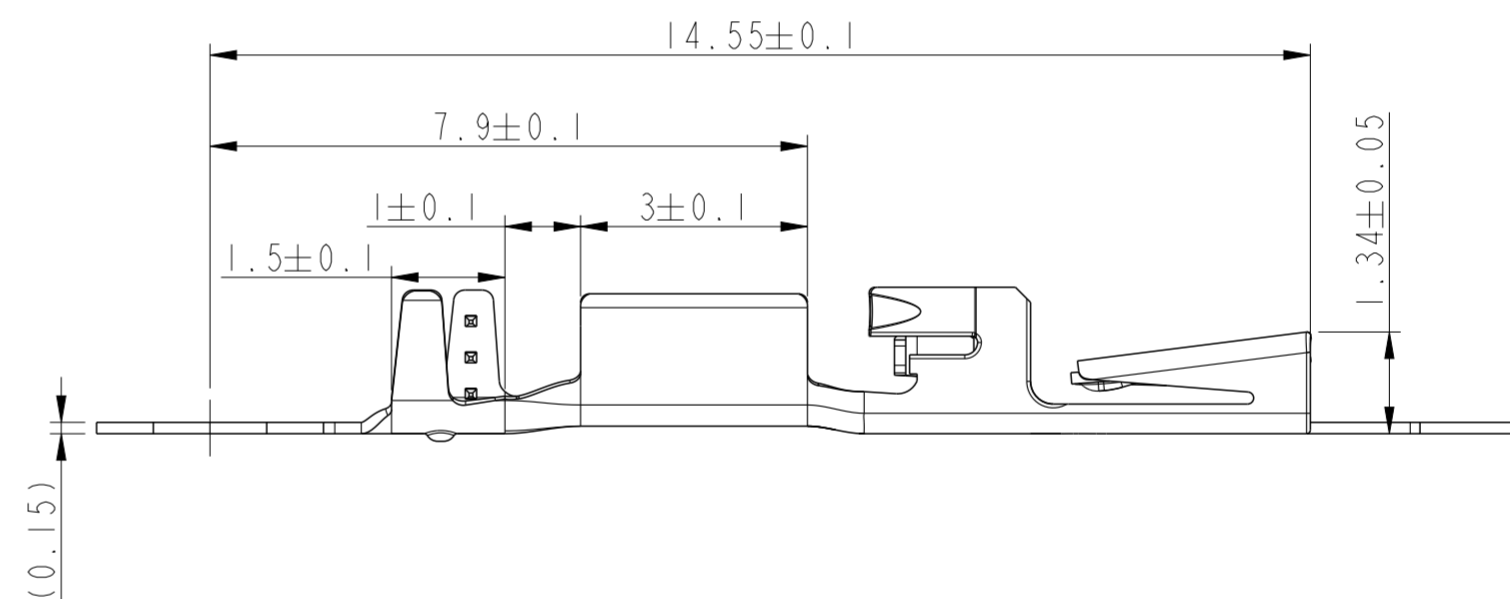
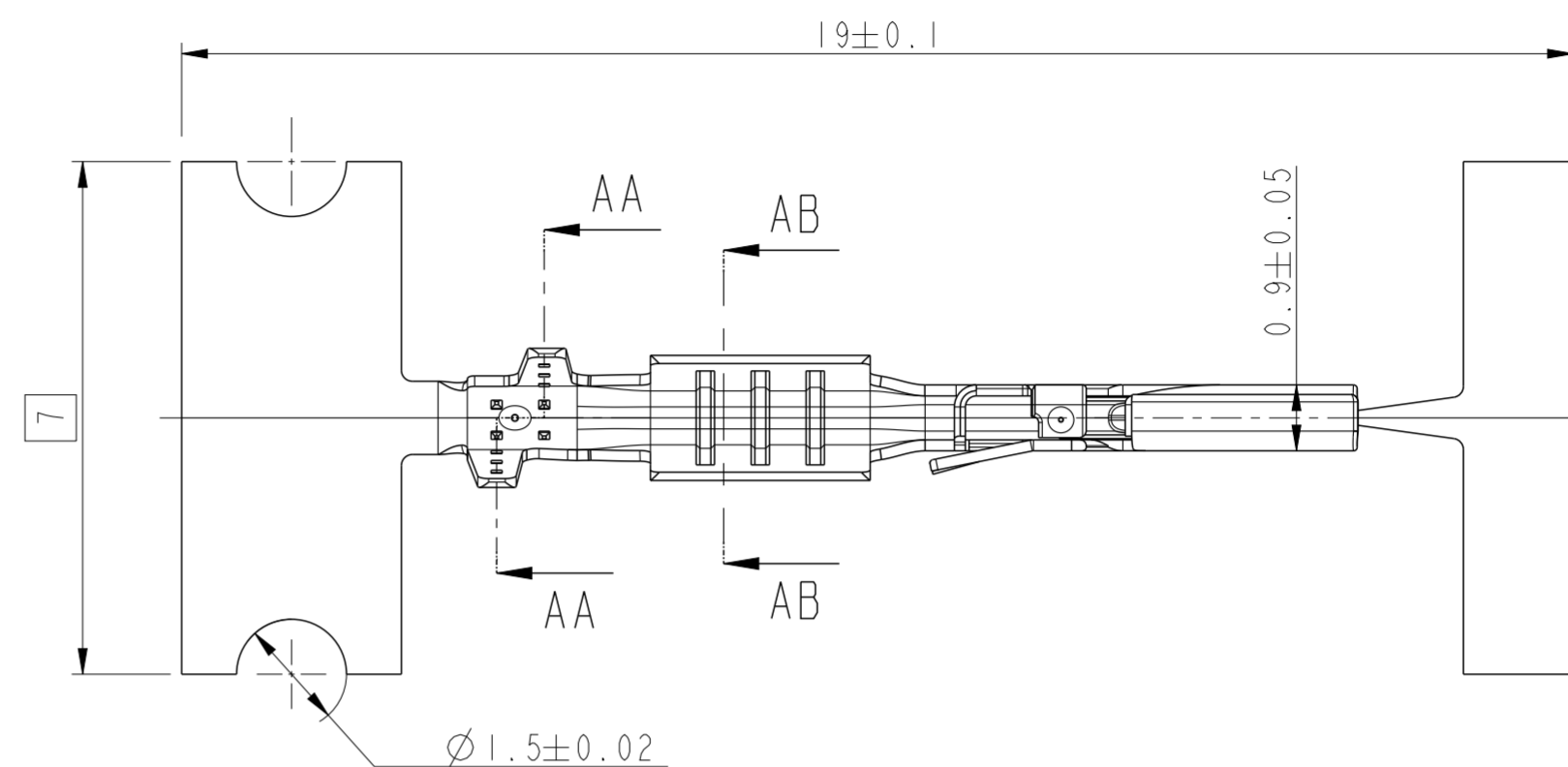
10141272-111 LF

- RoHS COMPLIANT, LEAD FREE
- UNREELING DIRECTION, SEE NOTE 5 :  
BLANK = DIRECTION 1  
"A" = DIRECTION 2 (ON REQUEST)
- FOR CUSTOMER CODE :  
BLANK = GENERAL USE  
V = CUSTOMER DEDICATED PART
- APPLICABLE AWG, SEE NOTE 1
- PLATING :  
1 = 3µm MIN MATTE TIN (CONTACT AREA)  
3 = 0.76µm MIN GOLD (CONTACT AREA)  
ALL OVER 1.27µm MIN Ni UNDERLAYER

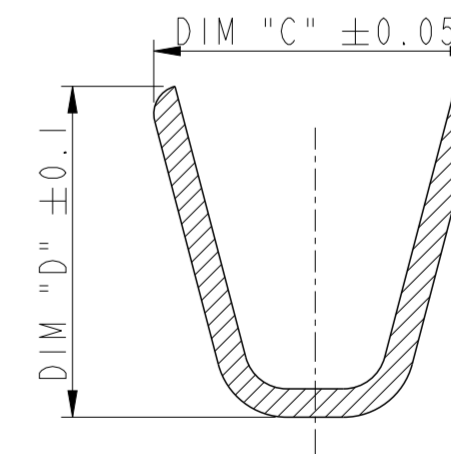
PRODUCT NO	WIRE SIZE	DIM "A"	DIM "B"	DIM "C"	DIM "D"
10141272-111LF	AWG 22	1.9	1.9	1.7	1.75
10141272-112LF	AWG 26-28	1.9	1.8	1.6	1.25
10141272-113LF	AWG 24	1.9	1.9	1.7	1.55

NOTES

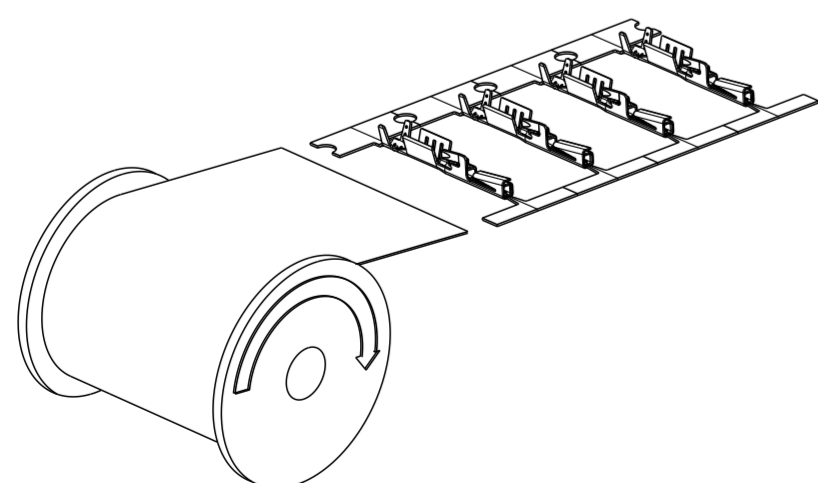
- 1 - APPLICABLE AWG  
1- AWG #22  
2- AWG #26-28  
3- AWG #24
- 2 - PRODUCT SPECIFICATION : GS-12-1422
- 3 - APPLICATION SPECIFICATION AS PER GS-20-0513
- 4 - PACKAGING : 15.000 PCS/REEL
- 5 - UNREELING DIRECTION :  
-DIRECTION 1 FOR PN FINISHING BY -LF  
-DIRECTION 2 FOR PN FINISHING BY -ALF
- 6 - RoHS COMPATIBLE PRODUCT SPECIFICATIONS  
a - LABELLING :  
MEETS PACKAGING SPECS AS PER GS-14-920  
b - LEGAL STATEMENT :  
SEE GS-47-0004.



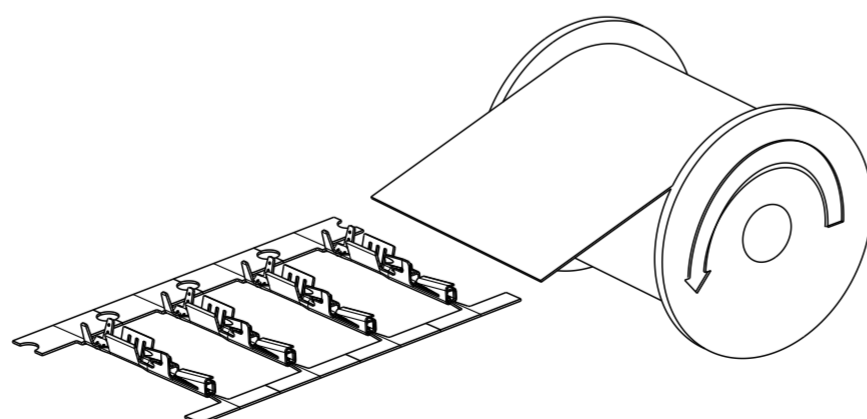
SECTION AA-AA  
SCALE 25:1



SECTION AB-AB  
SCALE 25:1



UNREELING DIRECTION 1



UNREELING DIRECTION 2 (ON REQUEST)

spec ref	GS-12-1422	dr	Sawanth, Ambaa	2017/07/06	projection	mm	size	A2	scale	10:1
tolerance std	ISO 406 ISO 1101	eng	Cyril Jeune	2019/08/23		mm	ecn no	ELX-F-34657-1		
TOLERANCES UNLESS OTHERWISE SPECIFIED		chr	Hyppias, Arnaud	2019/08/23				rel level	Released	
surface	linear	0.X	±0.1		product family		dwg no	10141272		
		0.XX	±0.05		RECEPTACLE TERMINAL					
		0.XXX	±		MINITEK µSPACE					
	angular	0°	±2°	cat. no.	-		Product - Customer Drw	sheet 1 of 1		

## X-ON Electronics

Largest Supplier of Electrical and Electronic Components

*Click to view similar products for [Terminals](#) category:*

*Click to view products by [Amphenol](#) manufacturer:*

Other Similar products are found below :

[00-054007-01074-6](#) [00-054007-70206-1](#) [00-054007-70210-8](#) [00-054007-70217-7](#) [00-054007-70226-9](#) [00-054007-70228-3](#) [00-054007-70248-1](#) [00-054007-70256-6](#) [00-054007-70301-3](#) [00-054007-70316-7](#) [00-054007-49560-4](#) [00-054007-70209-2](#) [00-054007-70225-2](#) [00-054007-70227-6](#) [00-054007-70231-3](#) [00-054007-70241-2](#) [00-054007-70242-9](#) [00-054007-70244-3](#) [00-054007-70246-7](#) [00-054007-70263-4](#) [00-054007-70288-7](#) [00-054007-70290-0](#) [00-054007-70300-6](#) [00-054007-70304-4](#) [01-2065-1-0216](#) [01-2900-1-04412](#) [00581P0075](#) [600TS-10](#) [60205-1](#) [604200-1](#) [605601-1](#) [60598-1-CUT-TAPE](#) [61314-6-C](#) [61810-3](#) [61-S](#) [62149-1](#) [626-0194](#) [62-NBM-A](#) [62-SN](#) [62-SP](#) [640179-1](#) [M55155/059I03](#) [M55155/079C01](#) [M55155/099H02](#) [M55155/109H01](#) [M55155/109H02](#) [M55155/12XH05](#) [M55155/16XH02](#) [M55155/29-5S](#) [M55155/29XJ08](#)