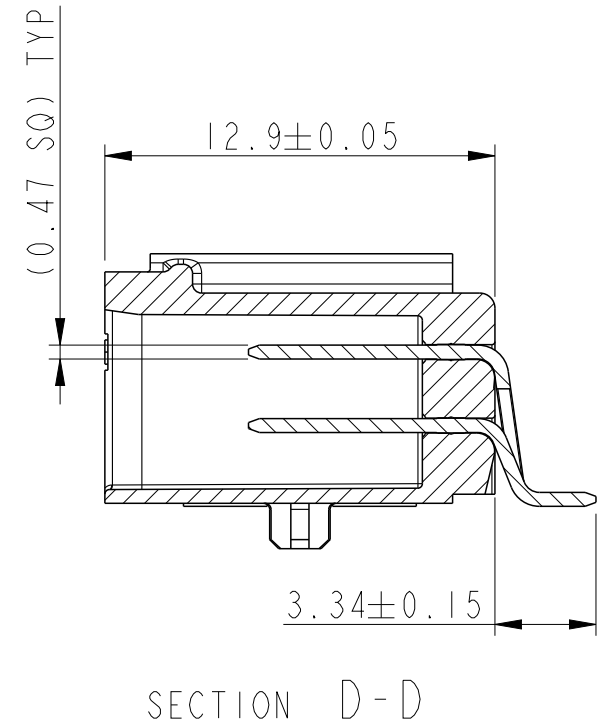
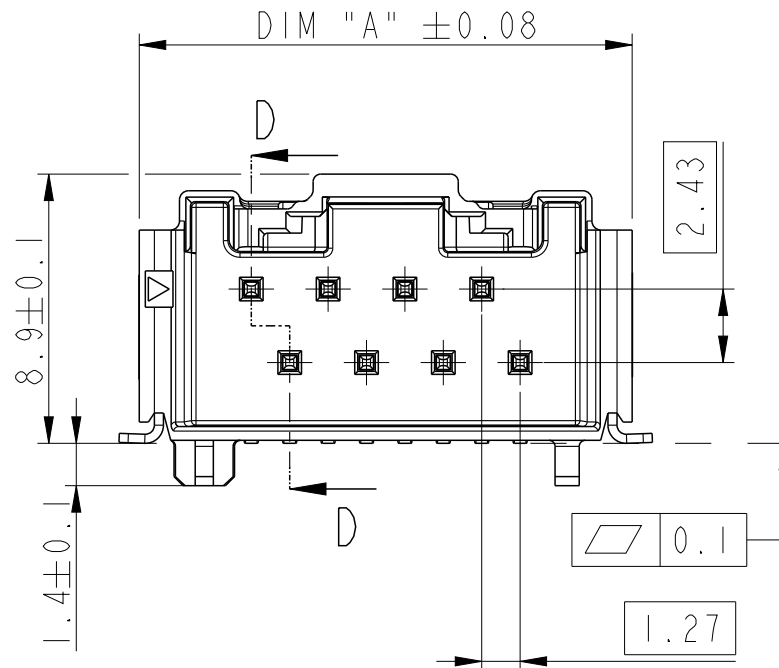


PRODUCT DESCRIPTION CODE :

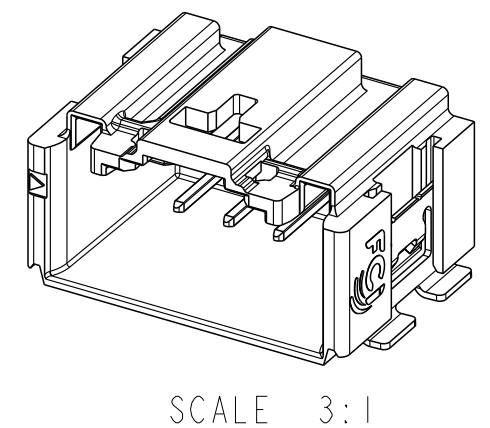
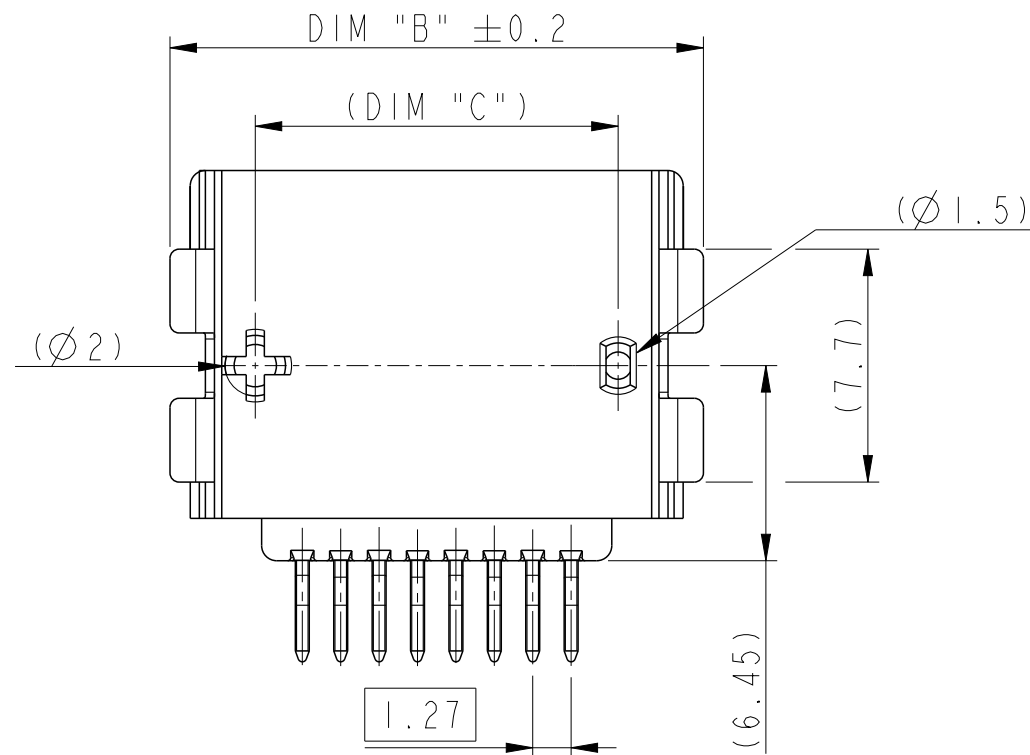
10142344-1XXK LF

- RoHS COMPATIBLE, SEE NOTE 3
- FOR CUSTOMER CODE :  
BLANK = GENERAL USE  
V = CUSTOMER DEDICATED PART
- PACKAGING :  
K = TAPE & REEL
- NUMBER OF POSITIONS : 04 TO 16
- PLATING :  
1 = 3µm MIN MATTE TIN (PREPLATED)  
2 = 3µm MIN MATTE TIN (POST-PLATED)  
3 = 0.76µm MIN GOLD (CONTACT AREA)  
ALL OVER 1.27µm MIN NICKEL UNDERLAYER

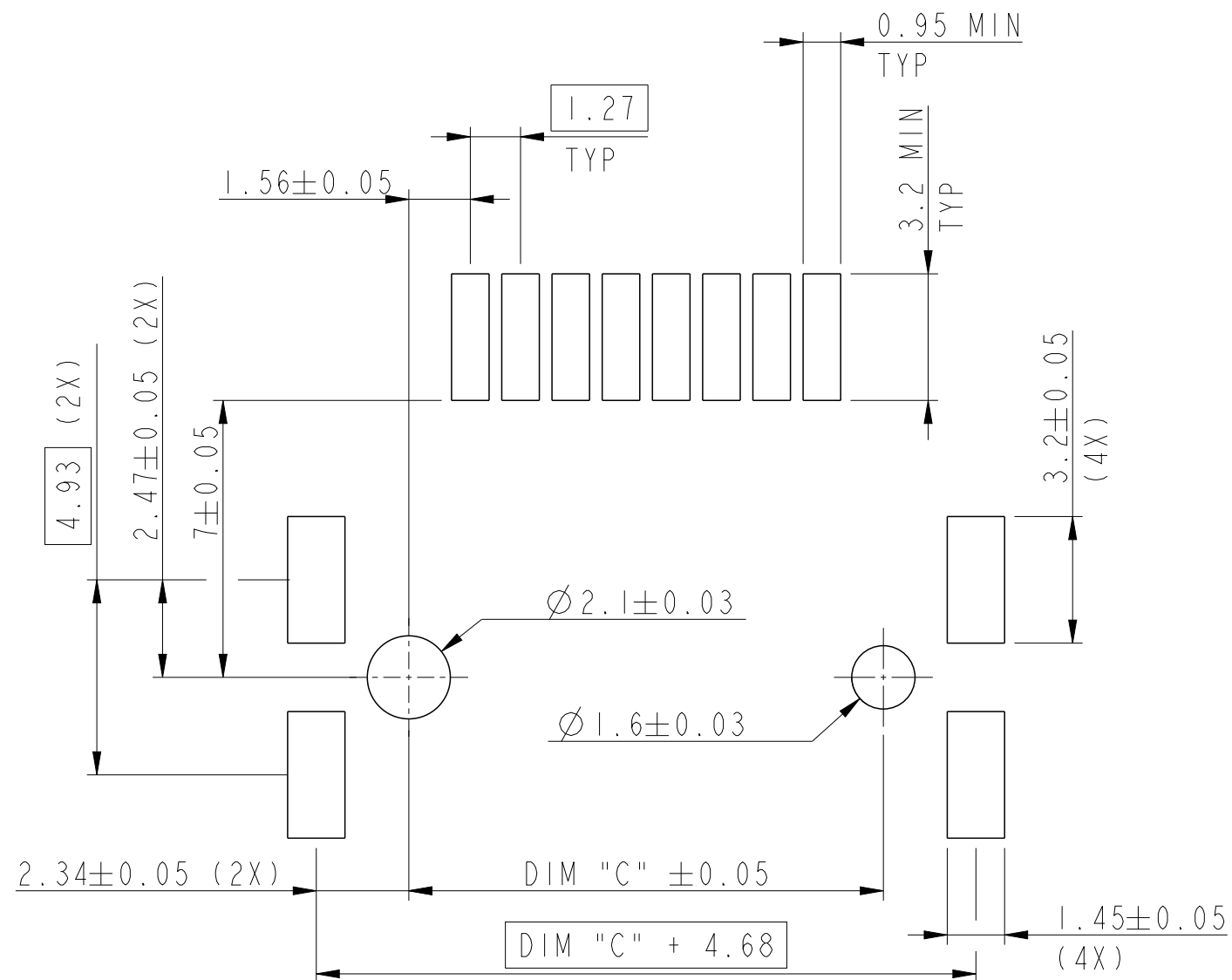


NOTES:

- 1 - MATERIAL:  
HOUSING : HIGH TEMPERATURE THERMOPLASTIC  
COLOR BLACK UL94 V-0  
PIN : HIGH CURRENT COPPER ALLOY
- 2 - TO BE MATED WITH MINITEK µSPACE RECEPTACLE SERIES 10142348
- 3 - RoHS COMPATIBLE PRODUCT SPECIFICATIONS
  - a - PLATING:  
"LF" MEANS THE PRODUCT IS LEAD FREE,  
3µm MINIMUM MATTE TIN OVER 1.27µm MINIMUM NICKEL UNDERPLATE.
  - b - MANUFACTURING PROCESS COMPATIBILITY:  
THE HOUSING WILL WITHSTAND EXPOSURE TO 260°C PEAK TEMPERATURE FOR 30 SECONDS MAX IN A CONVECTION, INFRA-RED OR VAPOR PHASE OR REFLOW OVEN.
  - c - LABELLING :  
MEETS PACKAGING SPECS AS PER GS-14-920
  - d - LEGAL STATEMENT :  
SEE GS-47-0004.

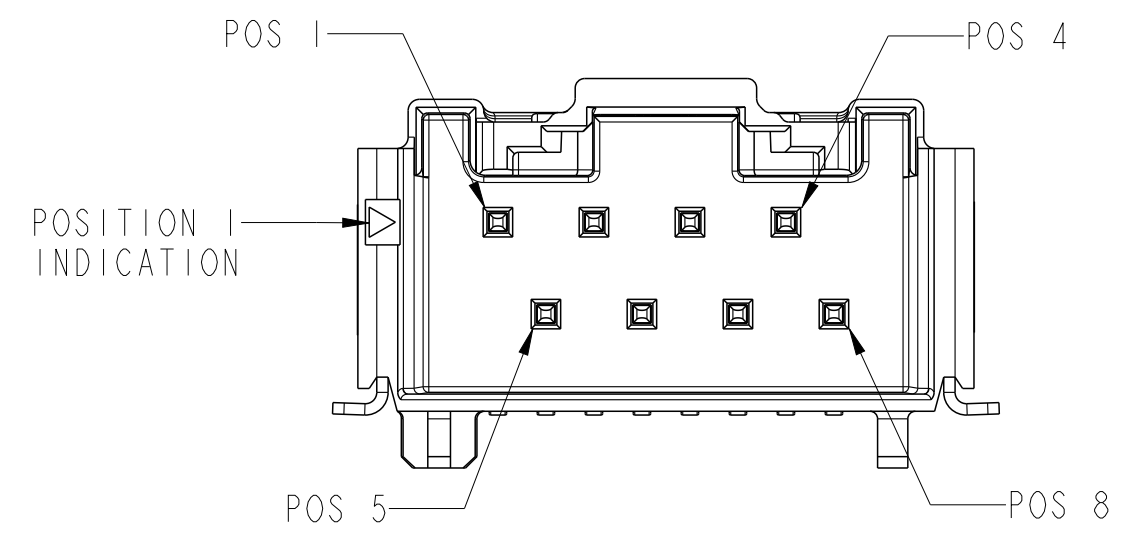


spec ref	GS-12-1422	dr	Ramu P	2018/07/10	projection	mm	size	A3	scale	4:1	
tolerance std	ISO 406 ISO 1101	eng	Cyril Jeune	2019/08/20			ecn no	ELX-F-34626-1	rel level	Released	
TOLERANCES UNLESS OTHERWISE SPECIFIED		chr	Hyppias, Arnau	2019/08/20							product family
surface	linear	0.X	±0.3		HEADER ASSEMBLY MINITEK µSPACE STAGGERED TOP LATCH		dwg no	10142344	rev	C	
		0.XX	±0.10		cat. no.	-					Product - Customer Drw
	angular	0°	±2°		sheet 1 of 2						



RECOMMENDED PCB LAYOUT  
SCALE 6:1

PART NO.	NO. OF POSN	DIM "A"	DIM "B"	DIM "C"
10142344-104KLF	04	11.22	12.55	6.92
10142344-105KLF	05	12.49	13.82	8.19
10142344-106KLF	06	13.76	15.09	9.46
10142344-107KLF	07	15.03	16.36	10.73
10142344-108KLF	08	16.30	17.63	12.00
10142344-109KLF	09	17.57	18.9	13.27
10142344-110KLF	10	18.84	20.17	14.54
10142344-111KLF	11	20.11	21.44	15.81
10142344-112KLF	12	21.38	22.71	17.08
10142344-113KLF	13	22.65	23.98	18.35
10142344-114KLF	14	23.92	25.25	19.62
10142344-115KLF	15	25.19	26.52	20.89
10142344-116KLF	16	26.46	27.79	22.16



POSITION NUMBER INDICATION FOR 8POS VERSION

spec ref	GS-12-1422	dr	Ramu P	2018/07/10	projection	mm	size	A3	scale	5:1
tolerance std	ISO 406 ISO 1101	eng	Cyril Jeune	2019/08/20			ecn no	ELX-F-34626-1	rel level	Released
TOLERANCES UNLESS OTHERWISE SPECIFIED		chr	Hyppias, Arnau	2019/08/20						
surface	linear	0.X	±0.3	appr	Beatrice Vial	2019/08/20	product family		-	
		0.XX	±0.10			HEADER ASSEMBLY MINITEK μSPACE STAGGERED TOP LATCH		dwg no 10142344	rev C	
	angular	0°	±2°							cat. no.

## X-ON Electronics

Largest Supplier of Electrical and Electronic Components

*Click to view similar products for [Headers & Wire Housings](#) category:*

*Click to view products by [Amphenol](#) manufacturer:*

Other Similar products are found below :

[892-18-020-10-001101](#) [58102-G61-06LF](#) [582553-1](#) [0009485154](#) [009176003701906](#) [0050291907](#) [LY20-4P-DT1-P1E-BR](#) [02.125.8002.8](#)  
[609-3404](#) [61062-3](#) [622-0430](#) [622-3653LF](#) [63453-116](#) [636-1030](#) [636-1427](#) [636-3427](#) [636-4007](#) [641938-9](#) [641991-4](#) [644827-2](#) [65817-010LF](#)  
[65817-015LF](#) [65863-015LF](#) [66207-023LF](#) [67095-007LF](#) [67601157](#) [68648-049](#) [70.362.1628.0](#) [70-4210](#) [70-4226B](#) [70-4853B](#) [707-5020](#) [707-5028](#) [71.350.2428.0](#) [71918-208LF](#) [71961-016LF](#) [733-134](#) [733-162](#) [754199-000](#) [760-3052](#) [787-8014-00](#) [79531-3000](#) [FCN-360C032-B](#) [FCN-367T-T012/H](#) [FCN-723D010/2](#) [80.063.4001.1](#) [800-90-001-10-001000](#) [800-90-010-10-002000](#) [801-43-002-10-013000](#) [801-43-006-10-002000](#)