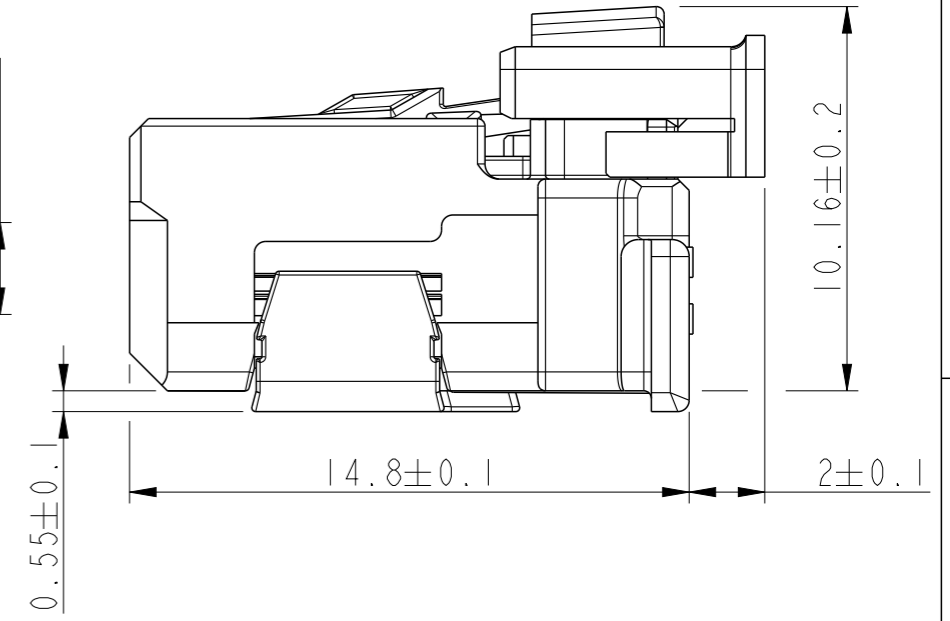
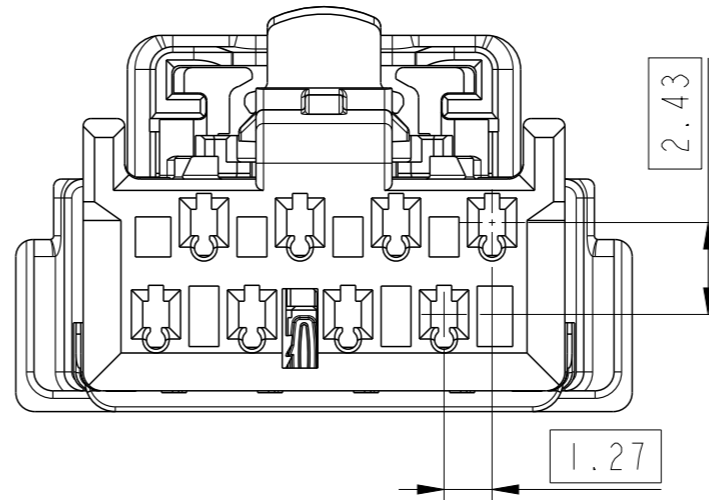


PRODUCT DESCRIPTION CODE :

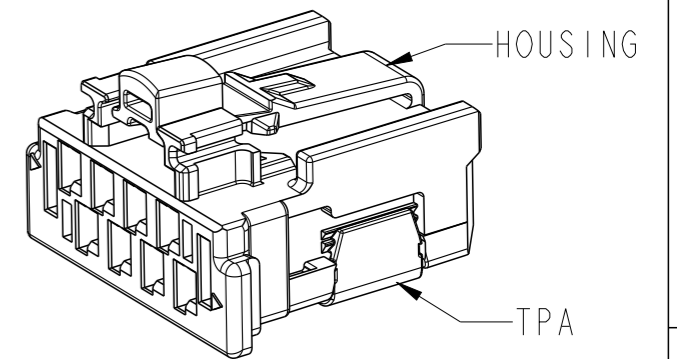
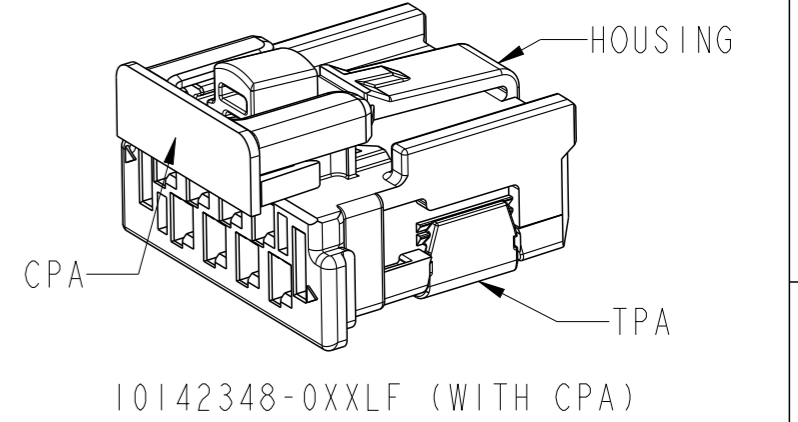
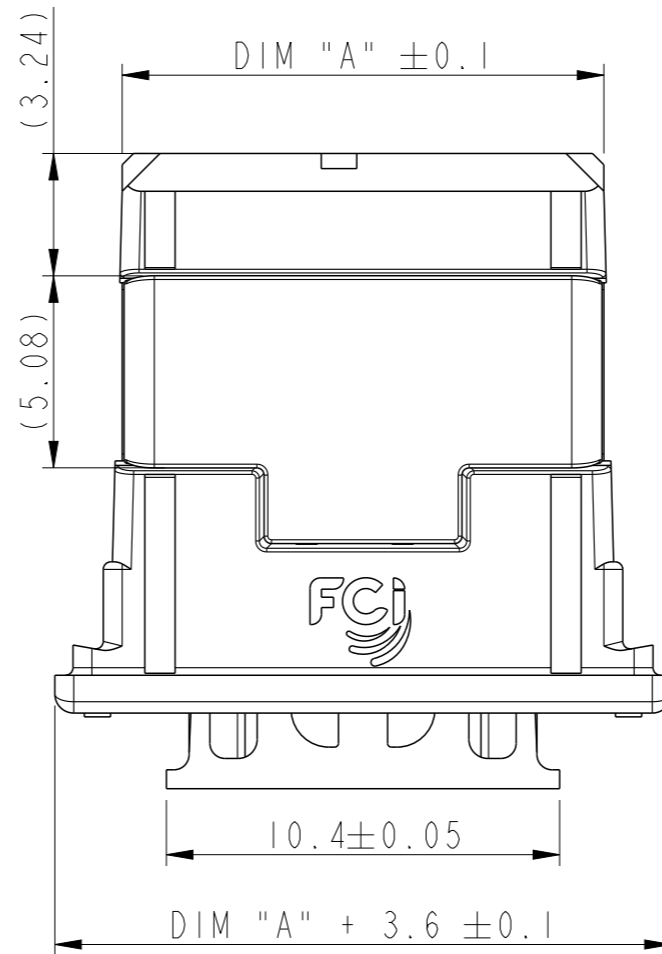
10142348-0XX LF

- RoHS COMPATIBLE
- FOR CUSTOMER CODE:
BLANK = GENERAL USE
- PACKAGING :
BLANK = BULK
- BLANK = WITH CPA
W = WITHOUT CPA
- NUMBER OF POSITIONS : 04 TO 16
- MATERIAL



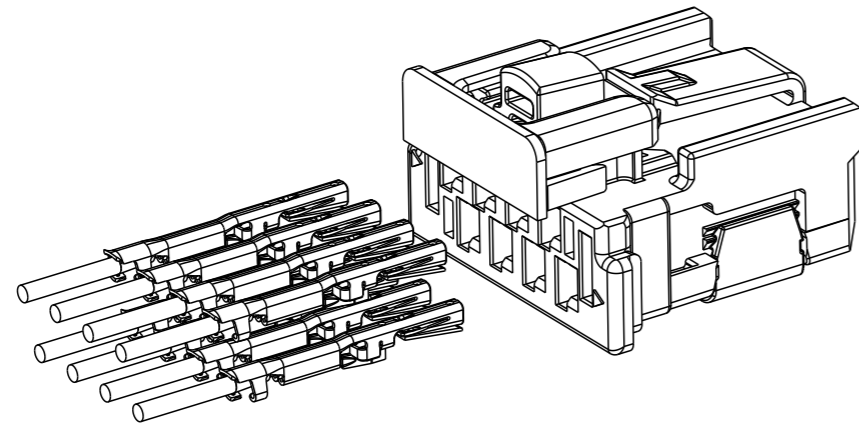
NOTES:

- 1 - MATERIAL:
HIGH TEMPERATURE THERMOPLASTIC
COLOR BLACK UL94 V-0
- 2 - FOR USE WITH MINITEK μ SPACE CTW TERMINALS :
AWG 22-24, SERIES 10141272 & 10148496
AWG 26-30, SERIES 10141272 & 10148496
- 3 - TO BE MATED WITH MINITEK μ SPACE HEADERS SERIES
10142344 / 10143535
- 4 - THE PRODUCT IS NOT INTENDED TO BE EXPOSED TO ANY
SOLDER PROCESS.
- 5 - RoHS COMPATIBLE PRODUCT SPECIFICATIONS
 - a - LABELLING :
MEETS PACKAGING SPECS AS PER GS-14-920
 - b - LEGAL STATEMENT :
SEE GS-47-0004.

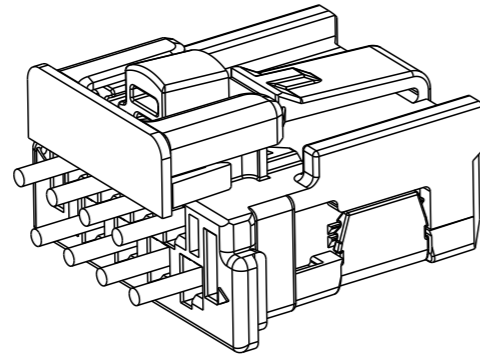


PRE-LOAD CONFIGURATION : DELIVERED STATUS

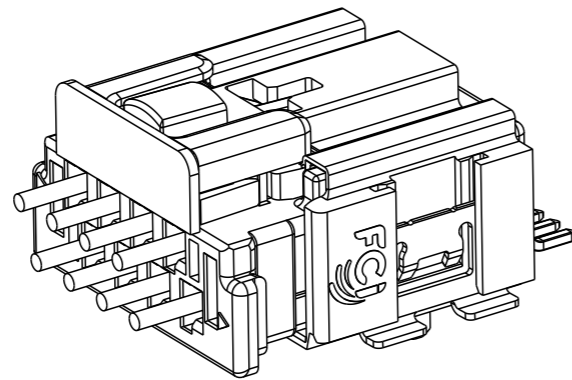
spec ref	GS-12-1422	dr	Mohan, Dinil V	2018/07/10	projection	mm	size	A3	scale	5:1	
tolerance std	ISO 406 ISO 1101	eng	Cyril Jeune	2019/07/10			ecn no	ELX-F-34187-1	rel level	Released	
TOLERANCES UNLESS OTHERWISE SPECIFIED		chr	Cyril Jeune	2019/07/10							
surface	linear	appr	Beatrice Vial	2019/07/10	product family	-	dwg no		10142348	rev	C
ISO 1302	angular			Amphenol FCI		RECEPTACLE ASSEMBLY MINITEK μ SPACE STAGGERED TOP LATCH		cat. no. - Product - Customer Drw		sheet 1 of 3	



PRE-LOAD CONFIGURATION FOR TERMINAL INSERTION

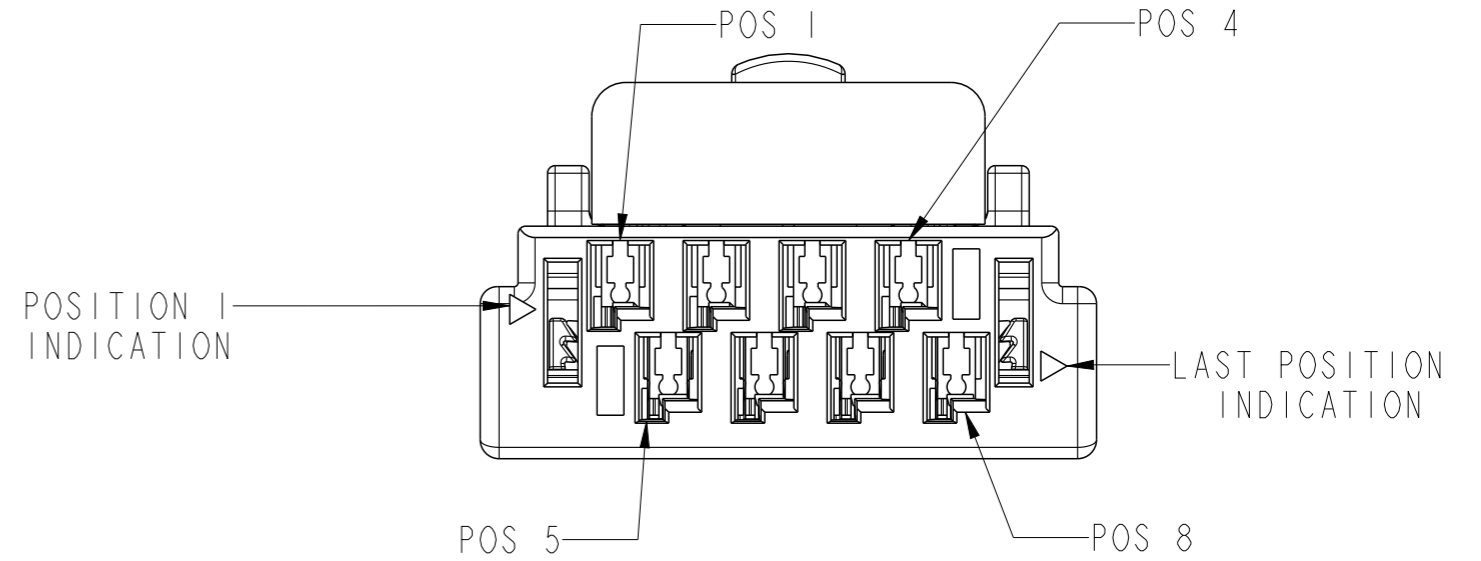


FINAL LOAD CONFIGURATION WITH INSERTED TERMINAL



FULL HEADER AND RECEPTACLE ASSEMBLY CONFIGURATION

PART NO.	NO. OF POSN	DIM "A"
10142348-004LF	04	7.66
10142348-005LF	05	8.93
10142348-006LF	06	10.20
10142348-007LF	07	11.47
10142348-008LF	08	12.74
10142348-009LF	09	14.01
10142348-010LF	10	15.28
10142348-011LF	11	16.55
10142348-012LF	12	17.82
10142348-013LF	13	19.09
10142348-014LF	14	20.36
10142348-015LF	15	21.63
10142348-016LF	16	22.90



POSITION NUMBER INDICATION FOR 8POS VERSION

SCALE 5:1

spec ref	GS-12-1422	dr	Mohan, Dinil V	2018/07/10	projection	mm	size	A3	scale	4:1
tolerance std	ISO 406 ISO 1101	eng	Cyril Jeune	2019/07/10			ecn no	ELX-F-34187-1	rel level	Released
TOLERANCES UNLESS OTHERWISE SPECIFIED		chr	Cyril Jeune	2019/07/10						
surface	linear	0.X	±0.3		RECEPTACLE ASSEMBLY		dwg no	10142348	rev	C
		0.XX	±0.10		MINITEK μSPACE STAGGERED TOP LATCH					
	angular	0°	±2°		cat. no.	-				

1

2

3

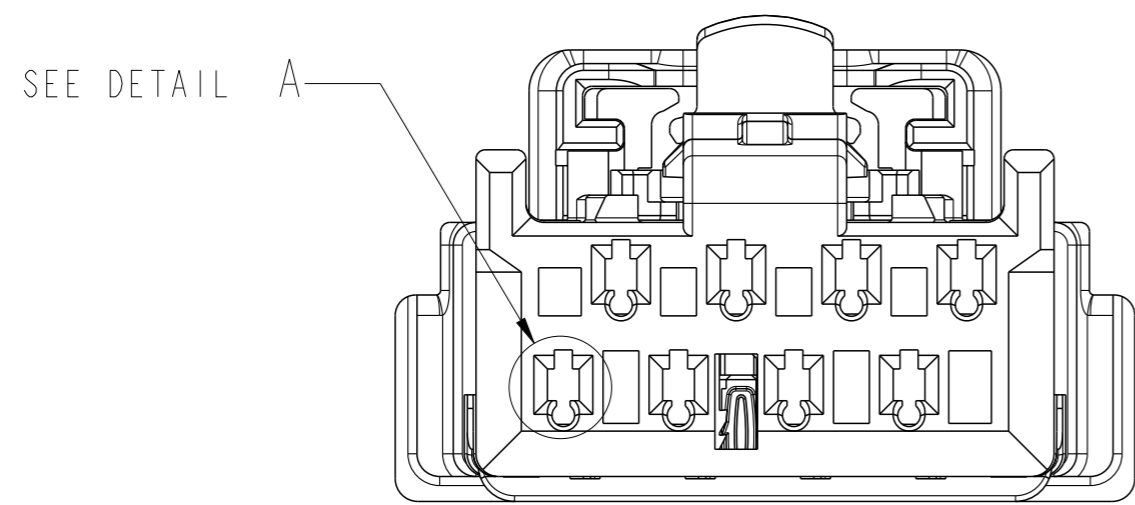
4

A

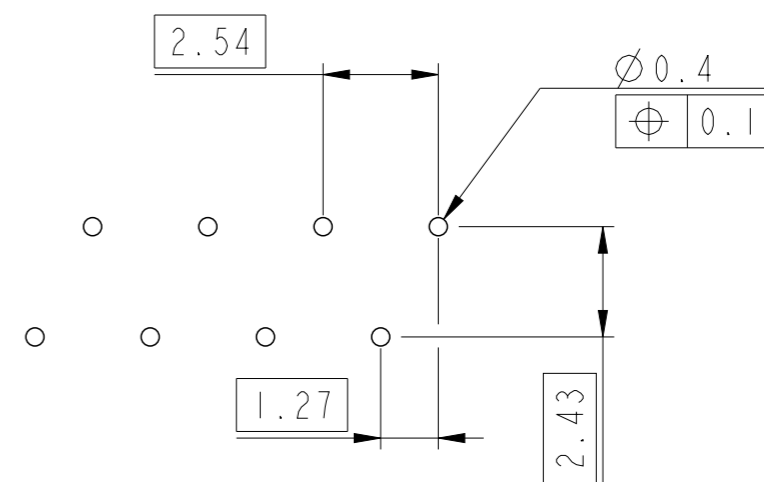
B

A

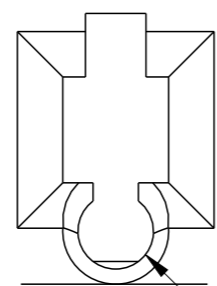
B



TEST PROBE \varnothing 0.4mm COMPLIANCE



RECOMMENDED LAYOUT OF TEST PROBE \varnothing 0.4mm



HOLE FOR TEST PROBE

DETAIL A
SCALE 20:1

Amphenol
FCi

© 2016 AFCI

D

D

spec ref	GS-12-1422			dr	Mohan, Dinil V	2018/07/10	projection 	mm 	size	A3	scale	6:1	
tolerance std	TOLERANCES UNLESS OTHERWISE SPECIFIED			eng	Cyril Jeune	2019/07/10			ecn no	ELX-F-34187-1			
ISO 406 ISO 1101				chr	Cyril Jeune	2019/07/10			rel level	Released			
surface	linear	0.X	\pm 0.3	Amphenol FCi	RECEPTACLE ASSEMBLY			dwg no	10142348		rev	C	
		0.XX	\pm 0.10		MINITEK μ SPACE STAGGERED TOP LATCH								
ISO 1302	angular	0°	\pm 2°		cat. no.	-	Product - Customer Drw						sheet 3 of 3

X-ON Electronics

Largest Supplier of Electrical and Electronic Components

Click to view similar products for [Headers & Wire Housings](#) category:

Click to view products by [Amphenol](#) manufacturer:

Other Similar products are found below :

[892-18-020-10-001101](#) [58102-G61-06LF](#) [582553-1](#) [0009485154](#) [009176003701906](#) [0050291907](#) [LY20-4P-DT1-P1E-BR](#) [02.125.8002.8](#)
[609-3404](#) [61062-3](#) [622-0430](#) [622-3653LF](#) [63453-116](#) [636-1030](#) [636-1427](#) [636-3427](#) [636-4007](#) [641938-9](#) [641991-4](#) [644827-2](#) [65817-010LF](#)
[65817-015LF](#) [65863-015LF](#) [66207-023LF](#) [67095-007LF](#) [67601157](#) [68648-049](#) [70.362.1628.0](#) [70-4210](#) [70-4226B](#) [70-4853B](#) [707-5020](#) [707-](#)
[5028](#) [71.350.2428.0](#) [71918-208LF](#) [71961-016LF](#) [733-134](#) [733-162](#) [754199-000](#) [760-3052](#) [787-8014-00](#) [79531-3000](#) [FCN-360C032-B](#) [FCN-](#)
[367T-T012/H](#) [FCN-723D010/2](#) [80.063.4001.1](#) [800-90-001-10-001000](#) [800-90-010-10-002000](#) [801-43-002-10-013000](#) [801-43-006-10-002000](#)