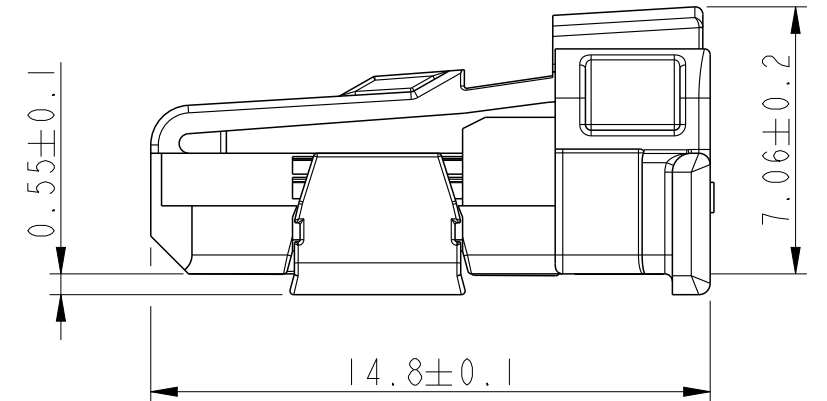
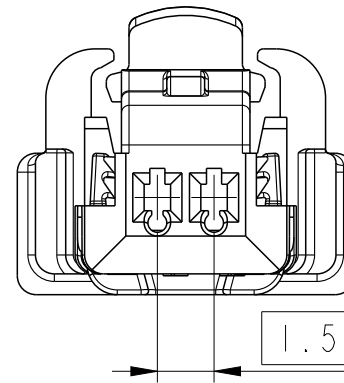


PRODUCT DESCRIPTION CODE :

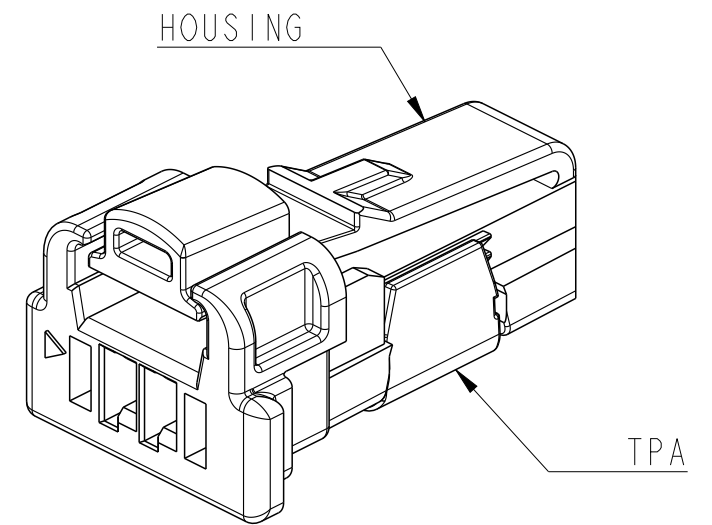
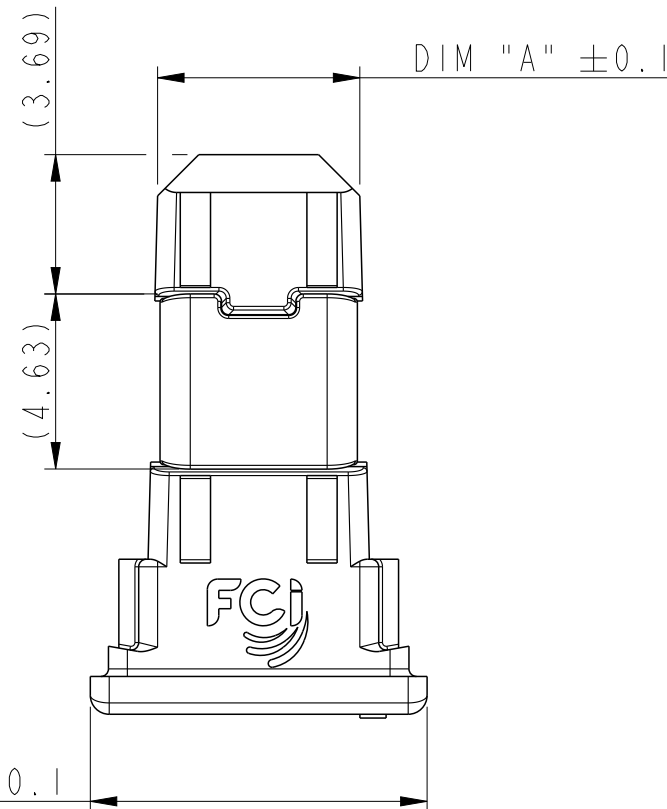
10142532-0XX LF

- R_oHS COMPATIBLE
- FOR CUSTOMER CODE:
BLANK = GENERAL USE
- PACKAGING :
BLANK = BULK
- NUMBER OF POSITIONS : 02 TO 03
- MATERIAL



NOTES:

- 1 - MATERIAL:
HIGH TEMPERATURE THERMOPLASTIC
COLOR BLACK UL94 V-0
- 2 - PACKAGING : BULK
- 3 - FOR USE WITH MINITEK μ SPACE CTW TERMINALS :
AWG 26-30, SERIE 10141272 & 10148496
- 4 - TO BE MATED WITH MINITEK μ SPACE HEADERS SERIES
10142534 / 10143714
- 5 - R_oHS COMPLIANT, THE PRODUCT IS NOT INTENDED TO BE
EXPOSED TO ANY SOLDER PROCESS.
- 6 - PRODUCT MEETS EUROPEAN UNION DIRECTIVES AND OTHERS
COUNTRY REGULATIONS AS PER GS-022-008

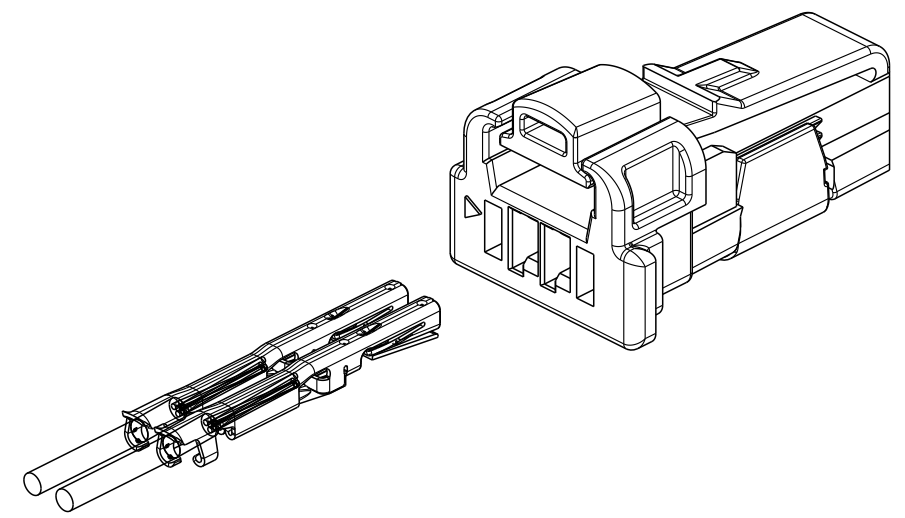


PRE-LOAD CONFIGURATION : DELIVERED STATUS

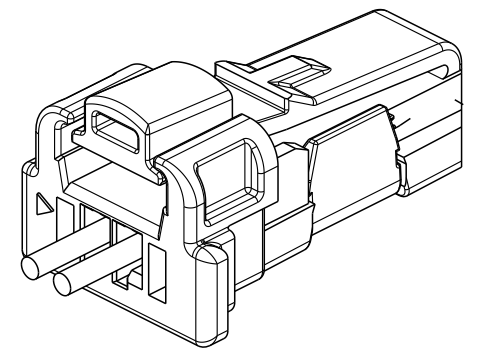
DIM "A" + 3.6 ±0.1

spec ref	GS-12-1422			dr	Sawanth, Ambaa	2017/07/06	projection	mm	size	A3	scale	5:1
tolerance std	TOLERANCES UNLESS OTHERWISE SPECIFIED			eng	Cyril Jeune	2019/04/23			ecn no		ELX-F-27419-1	
ISO 406 ISO 1101				chr	Hyppias, Arnau	2019/04/23			rel level		Released	
surface		linear	0.X	±0.3		RECEPTACLE ASSEMBLY MINITEK μ SPACE STS 1.5 TOP LATCH	product family	-	dwg no		10142532	
ISO 1302			0.XX	±0.10					rel level		Released	
	angular	0°	±2°	cat. no.					-		Product - Customer Drw	

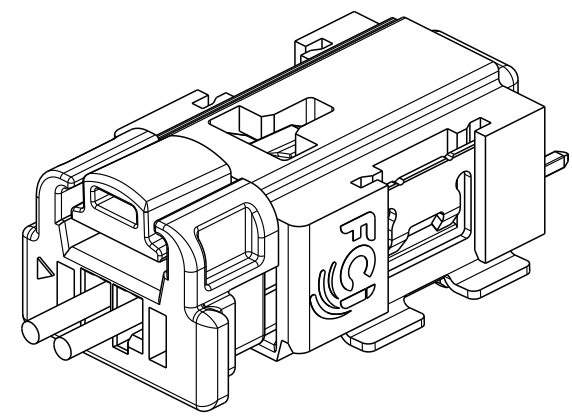
PART NO.	NO. OF POSN	DIM "A"
10142532-002LF	02	5.35
10142532-003LF	03	6.85



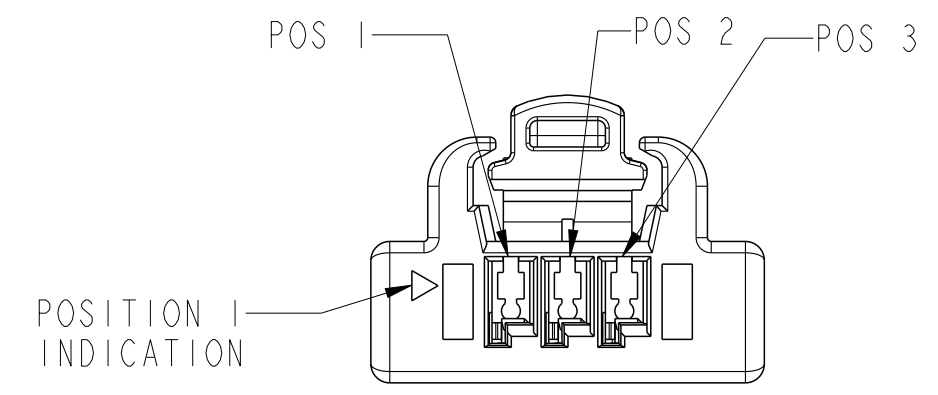
PRE-LOAD CONFIGURATION FOR TERMINAL INSERTION



FINAL LOAD CONFIGURATION WITH INSERTED TERMINAL



FULL HEADER AND RECEPTACLE ASSEMBLY CONFIGURATION



POSITION NUMBER INDICATION FOR 3POS

spec ref	GS-12-1422	dr	Sawanth, Ambaa	2017/07/06	projection	mm	size	A3	scale	5:1
tolerance std	ISO 406 ISO 1101	eng	Cyril Jeune	2019/04/23			ecn no	ELX-F-27419-1		
TOLERANCES UNLESS OTHERWISE SPECIFIED		chr	Hyppias, Arnau	2019/04/23			rel level	Released		
surface	linear	0.X	±0.3	appr	Beatrice Vial	2019/04/23	product family			
		0.XX	±0.10	Amphenol FCI		RECEPTACLE ASSEMBLY MINITEK μSPACE STS 1.5 TOP LATCH		dwg no	10142532	
		0.XXX	±0.005					cat. no.	-	Product - Customer Drw
	angular	0°	±2°					rev	B	

1

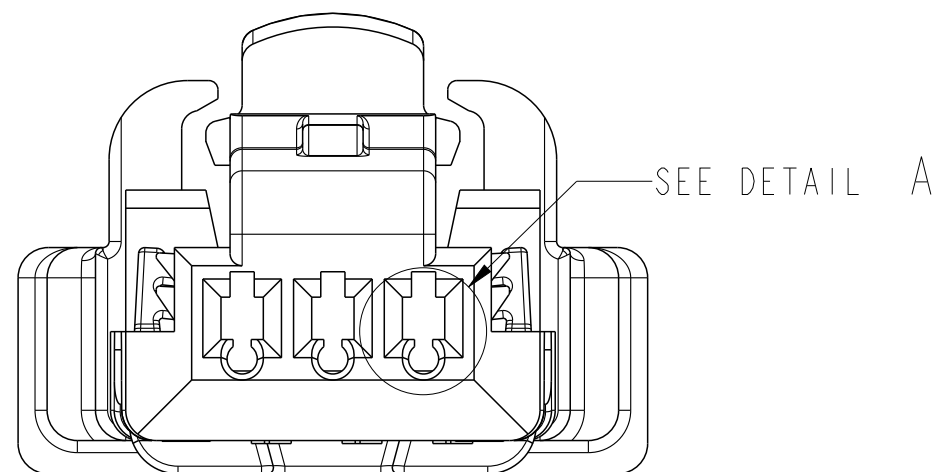
2

3

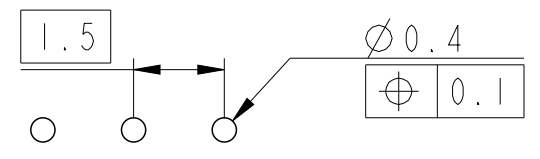
4

A

B



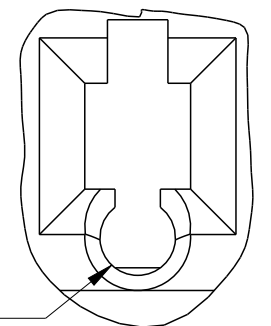
TEST PROBE \varnothing 0.4mm COMPLIANCE



RECOMMENDED LAYOUT OF TEST PROBE \varnothing 0.4mm

Amphenol
FCi

C



HOLE FOR TEST PROBE

DETAIL A
SCALE 20:1

© 2016 AFCI

D

spec ref	GS-12-1422			dr	Sawanth, Ambaa	2017/07/06	projection	mm	size	A3	scale	3:1
tolerance std	TOLERANCES UNLESS OTHERWISE SPECIFIED			eng	Cyril Jeune	2019/04/23		←→	ecn no			ELX-F-27419-1
ISO 406				chr	Hyppias, Arnau	2019/04/23			rel level			Released
ISO 1101				appr	Beatrice Vial	2019/04/23	product family					
surface	linear	0.X	±0.3	Amphenol FCi	RECEPTACLE ASSEMBLY			dwg no	10142532		rev	B
		0.XX	±0.10		MINITEK μ SPACE STS 1.5 TOP LATCH							
0.XXX	±0.005	cat. no.			-	Product - Customer Drw						
ISO 1302	angular	0°	±2°									

X-ON Electronics

Largest Supplier of Electrical and Electronic Components

Click to view similar products for [Headers & Wire Housings](#) category:

Click to view products by [Amphenol](#) manufacturer:

Other Similar products are found below :

[892-18-020-10-001101](#) [58102-G61-06LF](#) [582553-1](#) [0009485154](#) [009176003701906](#) [0050291907](#) [LY20-4P-DT1-P1E-BR](#) [02.125.8002.8](#)
[609-3404](#) [61062-3](#) [622-0430](#) [622-3653LF](#) [63453-116](#) [636-1030](#) [636-1427](#) [636-3427](#) [636-4007](#) [641938-9](#) [641991-4](#) [644827-2](#) [65817-010LF](#)
[65817-015LF](#) [65863-015LF](#) [66207-023LF](#) [67095-007LF](#) [67601157](#) [68648-049](#) [70.362.1628.0](#) [70-4210](#) [70-4226B](#) [70-4853B](#) [707-5020](#) [707-5028](#) [71.350.2428.0](#) [71918-208LF](#) [71961-016LF](#) [733-134](#) [733-162](#) [754199-000](#) [760-3052](#) [787-8014-00](#) [79531-3000](#) [FCN-360C032-B](#) [FCN-367T-T012/H](#) [FCN-723D010/2](#) [80.063.4001.1](#) [800-90-001-10-001000](#) [800-90-010-10-002000](#) [801-43-002-10-013000](#) [801-43-006-10-002000](#)