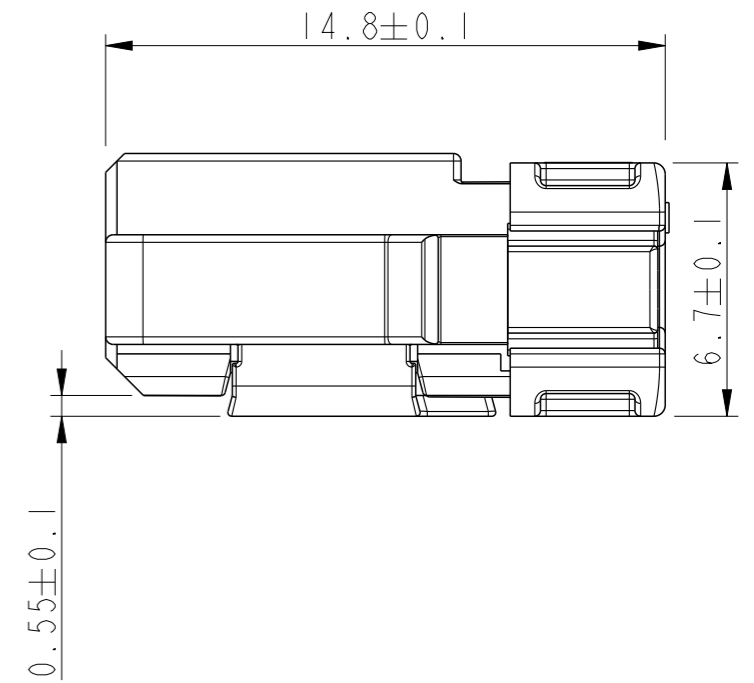
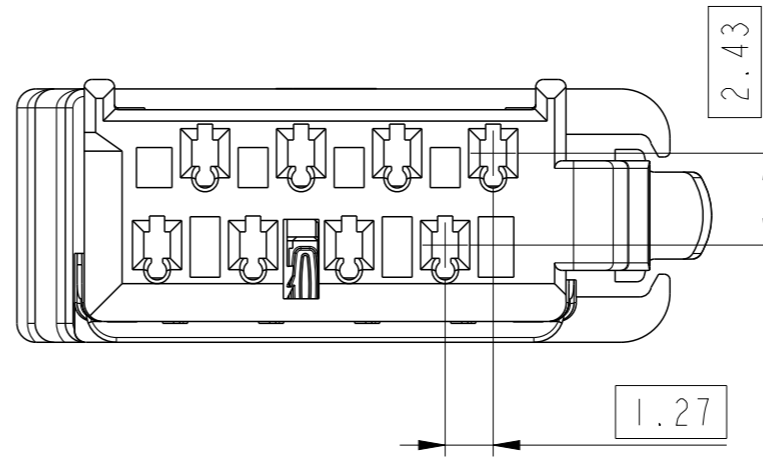


PRODUCT DESCRIPTION CODE :

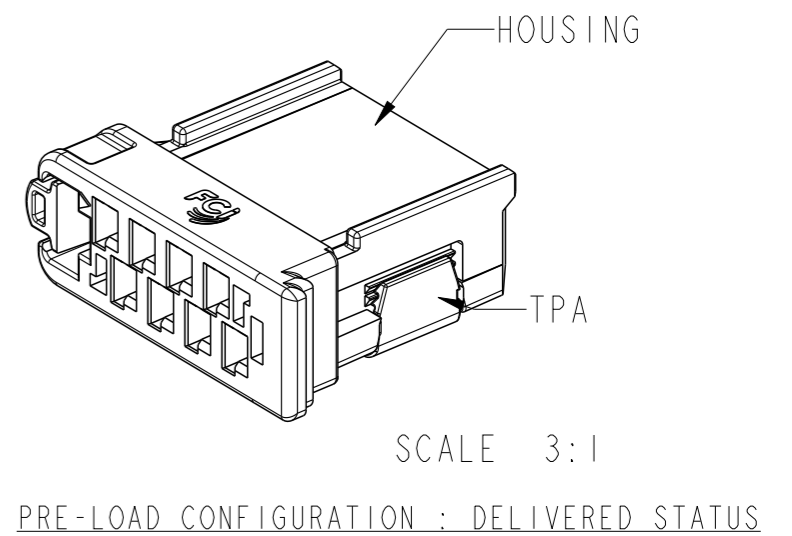
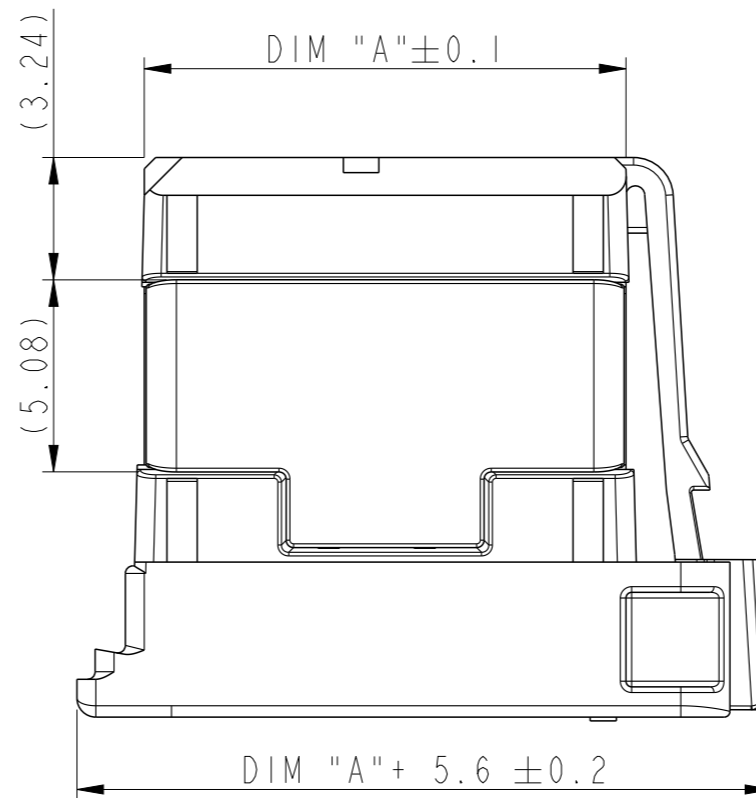
10142632-0XX LF

- RøHS COMPATIBLE
- FOR CUSTOMER CODE :  
BLANK = GENERAL USE
- PACKAGING :  
BLANK = BULK
- NUMBER OF POSITIONS : 02 TO 16
- MATERIAL



NOTES:

- 1 - MATERIAL:  
HIGH TEMPERATURE THERMOPLASTIC  
COLOR BLACK UL94 V-0
- 2 - FOR USE WITH MINITEK μSPACE CTW TERMINALS :  
AWG 22-24, SERIES 10141272 & 10148496  
AWG 26-30, SERIES 10141272 & 10148496
- 3 - TO BE MATED WITH MINITEK μSPACE HEADERS SERIES  
10142634 / 10143578
- 4 - RøHS COMPLIANT, THE PRODUCT IS NOT INTENDED TO BE  
EXPOSED TO ANY SOLDER PROCESS.
- 5 - RøHS COMPATIBLE PRODUCT SPECIFICATIONS
  - a - LABELLING :  
MEETS PACKAGING SPECS AS PER GS-14-920
  - b - LEGAL STATEMENT :  
SEE GS-47-0004.



spec ref	GS-12-1422			dr	Ramu P	2018/07/10	projection	mm	size	A3	scale	5:1	
tolerance std	TOLERANCES UNLESS OTHERWISE SPECIFIED			eng	Cyril Jeune	2018/08/31			ecn no		-		
ISO 406 ISO 1101				chr	Hyppias, Arnau	2018/08/31			rel level		Released		
surface		linear	0.X	±0.3		RECEPTACLE ASSEMBLY			dwg no	10142632		rev	A
ISO 1302		angular	0°	±2°		MINITEK μSPACE STAGGERED SIDE LATCH							
						cat. no.	-	Product - Customer Drw			sheet 1 of 3		

1

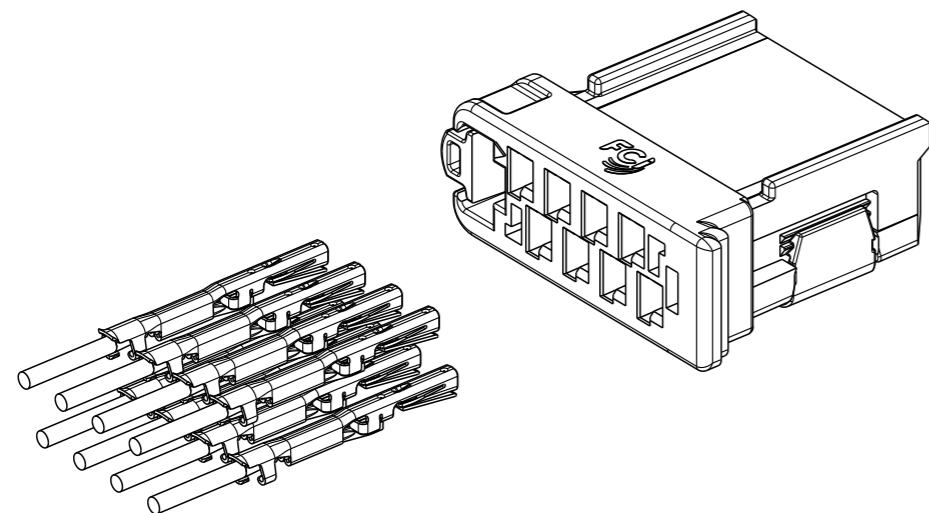
2

3

4

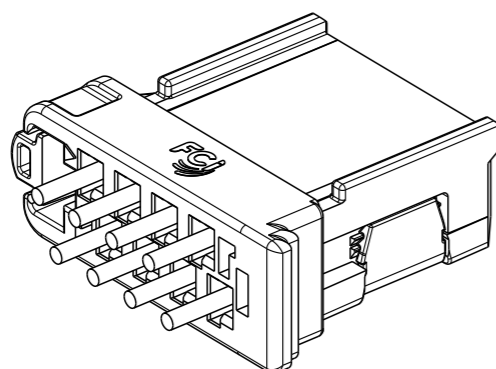
PART NO.	NO. OF POSN	DIM "A"
10142632-002LF	02	5.12
10142632-003LF	03	6.39
10142632-004LF	04	7.66
10142632-005LF	05	8.93
10142632-006LF	06	10.20
10142632-007LF	07	11.47
10142632-008LF	08	12.74
10142632-009LF	09	14.01
10142632-010LF	10	15.28
10142632-011LF	11	16.55
10142632-012LF	12	17.82
10142632-013LF	13	19.09
10142632-014LF	14	20.36
10142632-015LF	15	21.63
10142632-016LF	16	22.90

A



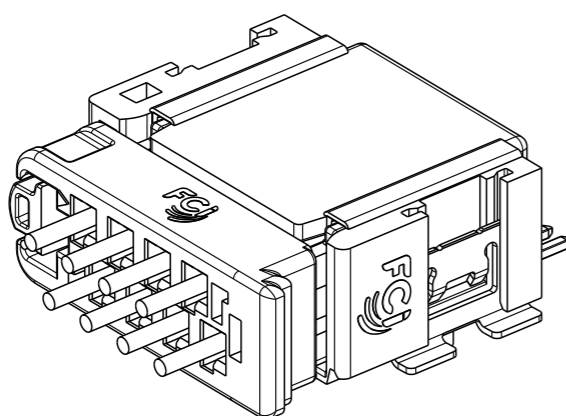
PRE-LOAD CONFIGURATION FOR TERMINAL INSERTION

B

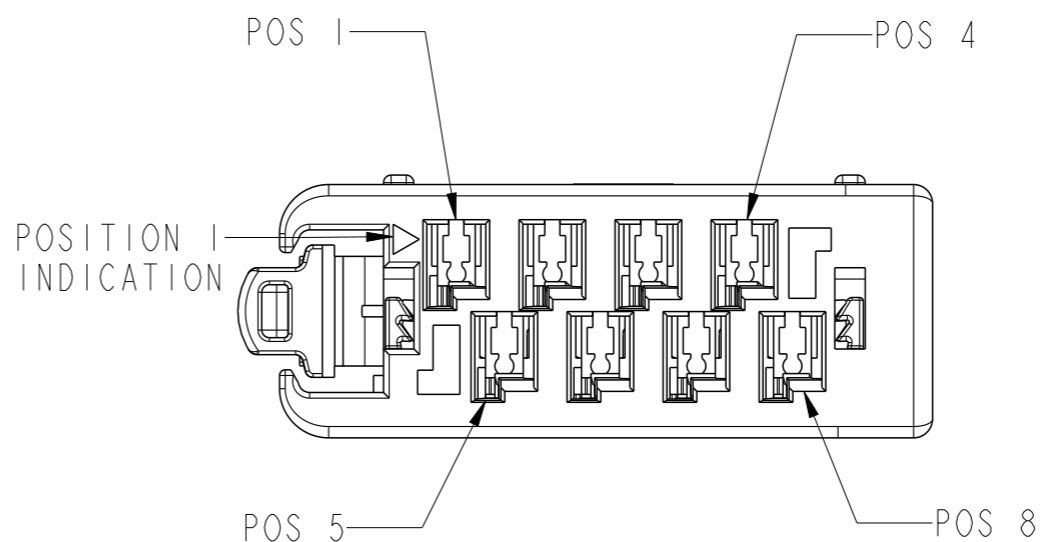


FINAL LOAD CONFIGURATION WITH INSERTED TERMINAL

C



FULL HEADER AND RECEPTACLE ASSEMBLY CONFIGURATION



POSITION NUMBER INDICATION FOR 8POS VERSION

D

spec ref	GS-12-1422	dr	Ramu P	2018/07/10	projection	mm	size	A3	scale	5:1
tolerance std	ISO 406 ISO 1101	eng	Cyril Jeune	2018/08/31			ecn no	-	rel level	Released
TOLERANCES UNLESS OTHERWISE SPECIFIED		chr	Hyppias, Arnau	2018/08/31						
surface	linear	0.X	±0.3	<b>Amphenol FCI</b>	RECEPTACLE ASSEMBLY		dwg no	10142632	rev	A
		0.XX	±0.10		MINITEK μSPACE STAGGERED SIDE LATCH					
	angular	0°	±2°		cat. no.	-				

2

3

Amphenol FCI

© 2016 AFCI



## X-ON Electronics

Largest Supplier of Electrical and Electronic Components

*Click to view similar products for [Headers & Wire Housings](#) category:*

*Click to view products by [Amphenol](#) manufacturer:*

Other Similar products are found below :

[892-18-020-10-001101](#) [58102-G61-06LF](#) [582553-1](#) [0009485154](#) [009176003701906](#) [0050291907](#) [LY20-4P-DT1-P1E-BR](#) [02.125.8002.8](#)  
[609-3404](#) [61062-3](#) [622-0430](#) [622-3653LF](#) [63453-116](#) [636-1030](#) [636-1427](#) [636-3427](#) [636-4007](#) [641938-9](#) [641991-4](#) [644827-2](#) [65817-010LF](#)  
[65817-015LF](#) [65863-015LF](#) [66207-023LF](#) [67095-007LF](#) [67601157](#) [68648-049](#) [70.362.1628.0](#) [70-4210](#) [70-4226B](#) [70-4853B](#) [707-5020](#) [707-](#)  
[5028](#) [71.350.2428.0](#) [71918-208LF](#) [71961-016LF](#) [733-134](#) [733-162](#) [754199-000](#) [760-3052](#) [787-8014-00](#) [79531-3000](#) [FCN-360C032-B](#) [FCN-](#)  
[367T-T012/H](#) [FCN-723D010/2](#) [80.063.4001.1](#) [800-90-001-10-001000](#) [800-90-010-10-002000](#) [801-43-002-10-013000](#) [801-43-006-10-002000](#)