

PRODUCT DESCRIPTION CODE :

10142634-1XXK LF

RoHS COMPATIBLE, SEE NOTE 3

FOR CUSTOMER CODE :
BLANK = GENERAL USE

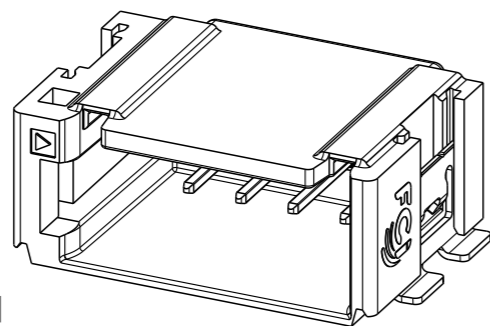
PACKAGING :
K = TAPE & REEL

NUMBER OF POSITIONS : 02 TO 16

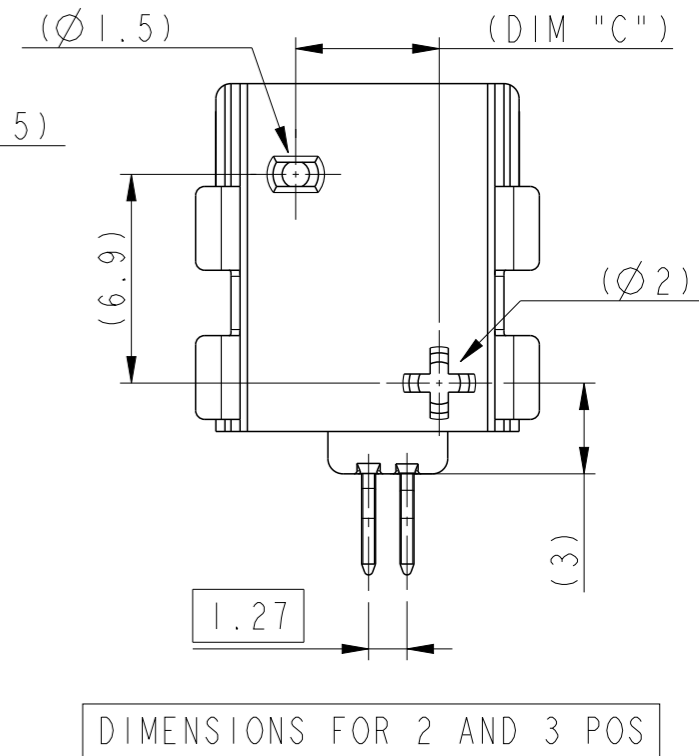
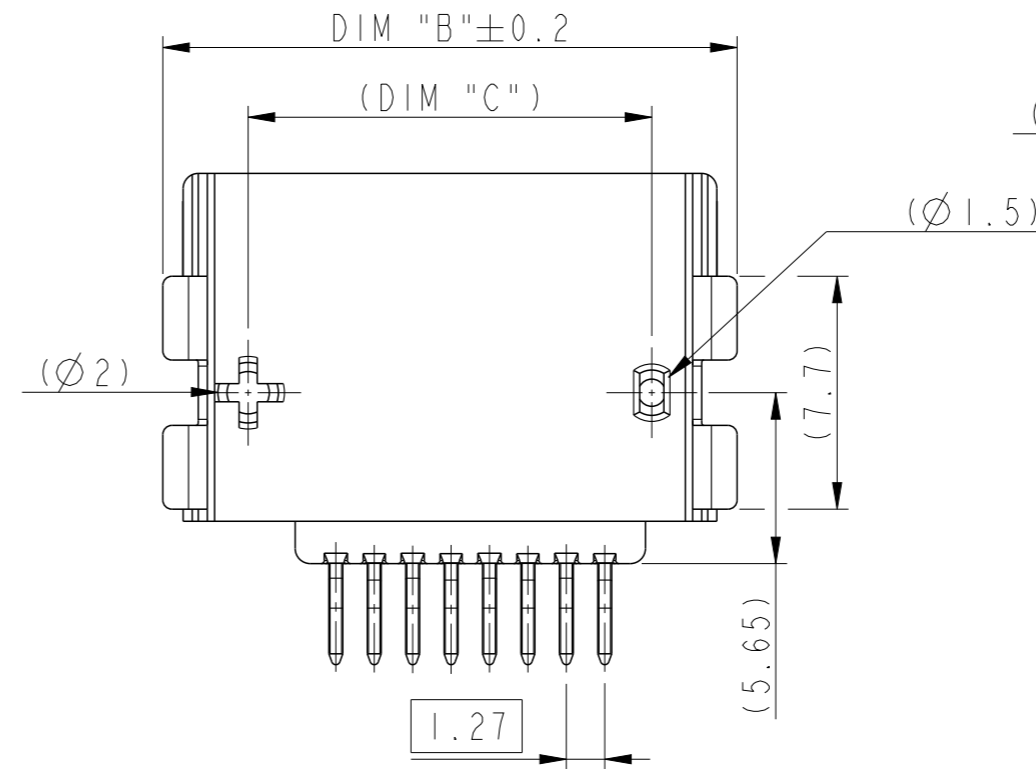
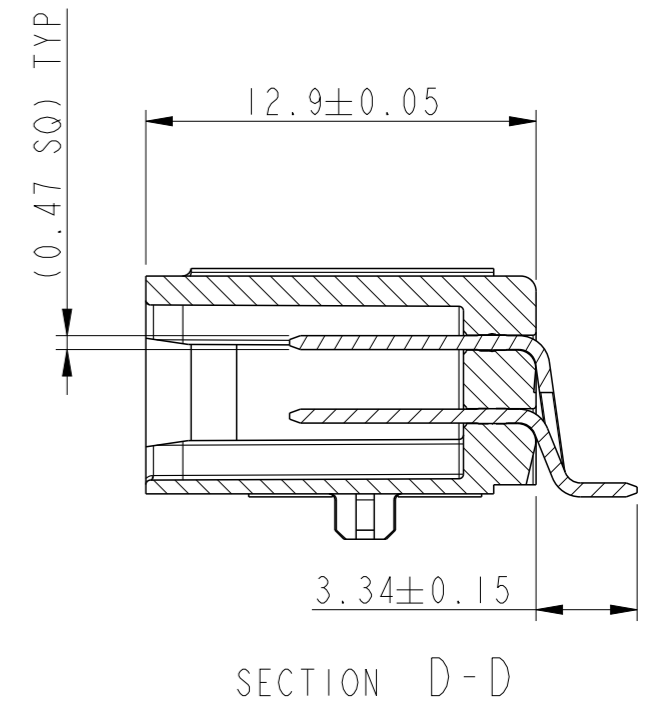
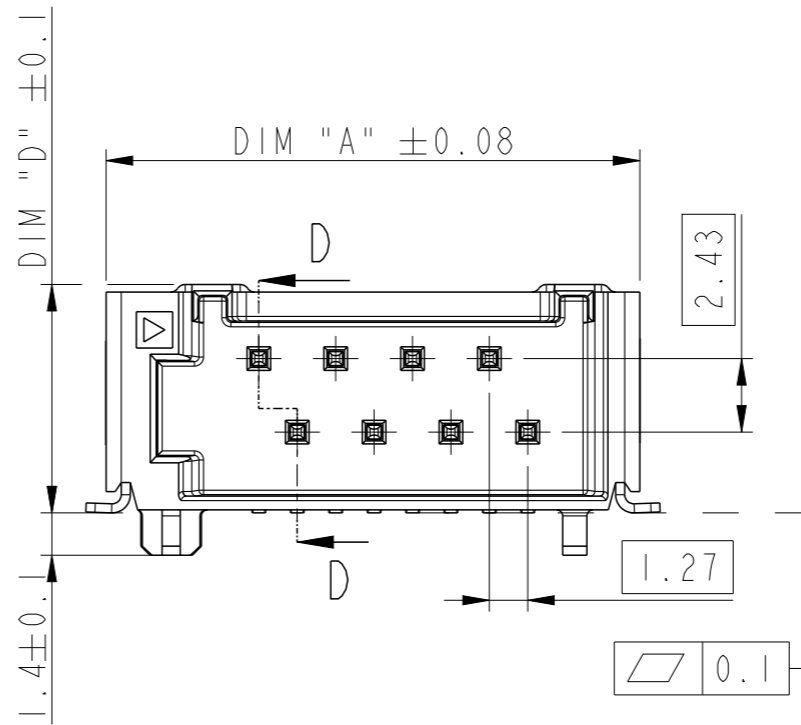
PLATING :
1 = 3µm MIN MATTE TIN (PREPLATED)
2 = 3µm MIN MATTE TIN (POST-PLATED)
3 = 0.76µm MIN GOLD (CONTACT AREA)
ALL OVER 1.27µm MIN NICKEL UNDERLAYER

NOTES:

- 1 - MATERIAL:
HOUSING : HIGH TEMPERATURE THERMOPLASTIC
COLOR BLACK UL94 V-0
PIN : HIGH CURRENT COPPER ALLOY
- 2 - TO BE MATED WITH MINITEK µSPACE RECEPTACLE SERIES 10142632
- 3 - RoHS COMPATIBLE PRODUCT SPECIFICATIONS
 - a - PLATING:
"LF" MEANS THE PRODUCT IS LEAD FREE,
3µm MINIMUM MATTE TIN OVER 1.27µm MINIMUM NICKEL UNDERPLATE.
 - b - MANUFACTURING PROCESS COMPATIBILITY:
THE HOUSING WILL WITHSTAND EXPOSURE TO 260°C PEAK TEMPERATURE FOR 30 SECONDS MAX IN A CONVECTION, INFRA-RED OR VAPOR PHASE OR REFLOW OVEN.
 - c - LABELLING :
MEETS PACKAGING SPECS AS PER GS-14-920
 - d - LEGAL STATEMENT :
SEE GS-47-0004.



SCALE 3:1



DIMENSIONS FOR 2 AND 3 POS

| | | | | | | | | | | | |
|---------------------------------------|--|-------------------------------------|----------------|-----------------|----------------|------------------------|-----------|---------------|-------|--------------|---|
| spec ref | GS-12-1422 | dr | Ramu P | 2018/07/10 | projection | mm | size | A3 | scale | 4:1 | |
| tolerance std | ISO 406 ISO 1101 | eng | Cyril Jeune | 2019/04/03 | | | ecn no | ELX-F-32875-1 | | | |
| TOLERANCES UNLESS OTHERWISE SPECIFIED | | chr | Hyppias, Arnau | 2019/04/03 | | | rel level | Released | | | |
| surface | linear | appr | Jean Barres | 2019/04/04 | product family | - | | - | | rev | C |
| | angular | Amphenol FCI | | HEADER ASSEMBLY | | dwg no | | 10142634 | | sheet 1 of 3 | |
| ISO 1302 | 0.X ±0.3 0.XX ±0.10 0.XXX ±0.005 | MINITEK µSPACE STAGGERED SIDE LATCH | | cat. no. | - | Product - Customer Drw | | - | | | |

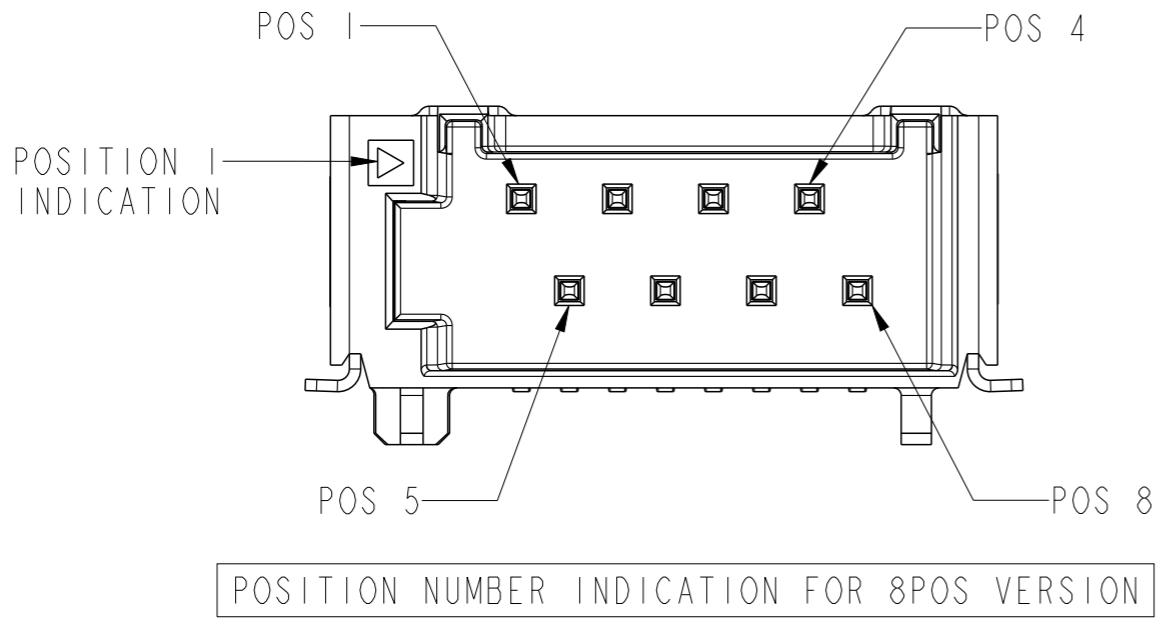
1

2

3

4

| PART NO. | NO. OF POSN | DIM "A" | DIM "B" | DIM "C" | DIM "D" |
|-----------------|-------------|---------|---------|---------|---------|
| 10142634-102KLF | 02 | 10.02 | 11.36 | 4.74 | 7.30 |
| 10142634-103KLF | 03 | 11.29 | 12.63 | 6.01 | 7.55 |
| 10142634-104KLF | 04 | 12.56 | 13.90 | 8.26 | 7.55 |
| 10142634-105KLF | 05 | 13.83 | 15.17 | 9.53 | 7.55 |
| 10142634-106KLF | 06 | 15.10 | 16.44 | 10.80 | 7.55 |
| 10142634-107KLF | 07 | 16.37 | 17.71 | 12.07 | 7.55 |
| 10142634-108KLF | 08 | 17.64 | 18.98 | 13.34 | 7.55 |
| 10142634-109KLF | 09 | 18.91 | 20.25 | 14.61 | 7.55 |
| 10142634-110KLF | 10 | 20.18 | 21.52 | 15.88 | 7.55 |
| 10142634-111KLF | 11 | 21.45 | 22.79 | 17.15 | 7.55 |
| 10142634-112KLF | 12 | 22.72 | 24.06 | 18.42 | 7.55 |
| 10142634-113KLF | 13 | 23.99 | 25.33 | 19.69 | 7.55 |
| 10142634-114KLF | 14 | 25.26 | 26.60 | 20.96 | 7.55 |
| 10142634-115KLF | 15 | 26.53 | 27.87 | 22.23 | 7.55 |
| 10142634-116KLF | 16 | 27.80 | 29.14 | 23.50 | 7.55 |



Amphenol FCI

© 2016 AFCI

| | | | | | | | | | | |
|---------------------------------------|---------------------|------|----------------|---------------------|-------------------------------------|----|--------------|----|------------------------|-----|
| spec ref | GS-12-1422 | dr | Ramu P | 2018/07/10 | projection | mm | size | A3 | scale | 5:1 |
| tolerance std | ISO 406 ISO 1101 | eng | Cyril Jeune | 2019/04/03 | | | ecn no | | ELX-F-32875-1 | |
| TOLERANCES UNLESS OTHERWISE SPECIFIED | | chr | Hyppias, Arnau | 2019/04/03 | | | rel level | | Released | |
| surface | ISO 1302 | appr | Jean Barres | 2019/04/04 | product family | | - | | - | |
| | linear | 0.X | ±0.3 | Amphenol FCI | HEADER ASSEMBLY | | dwg no | | 10142634 | |
| | | 0.XX | ±0.10 | | MINITEK μSPACE STAGGERED SIDE LATCH | | rev | | C | |
| | angular | 0° | ±2° | | cat. no. | | - | | Product - Customer Drw | |
| | | | | | | | sheet 2 of 3 | | | |

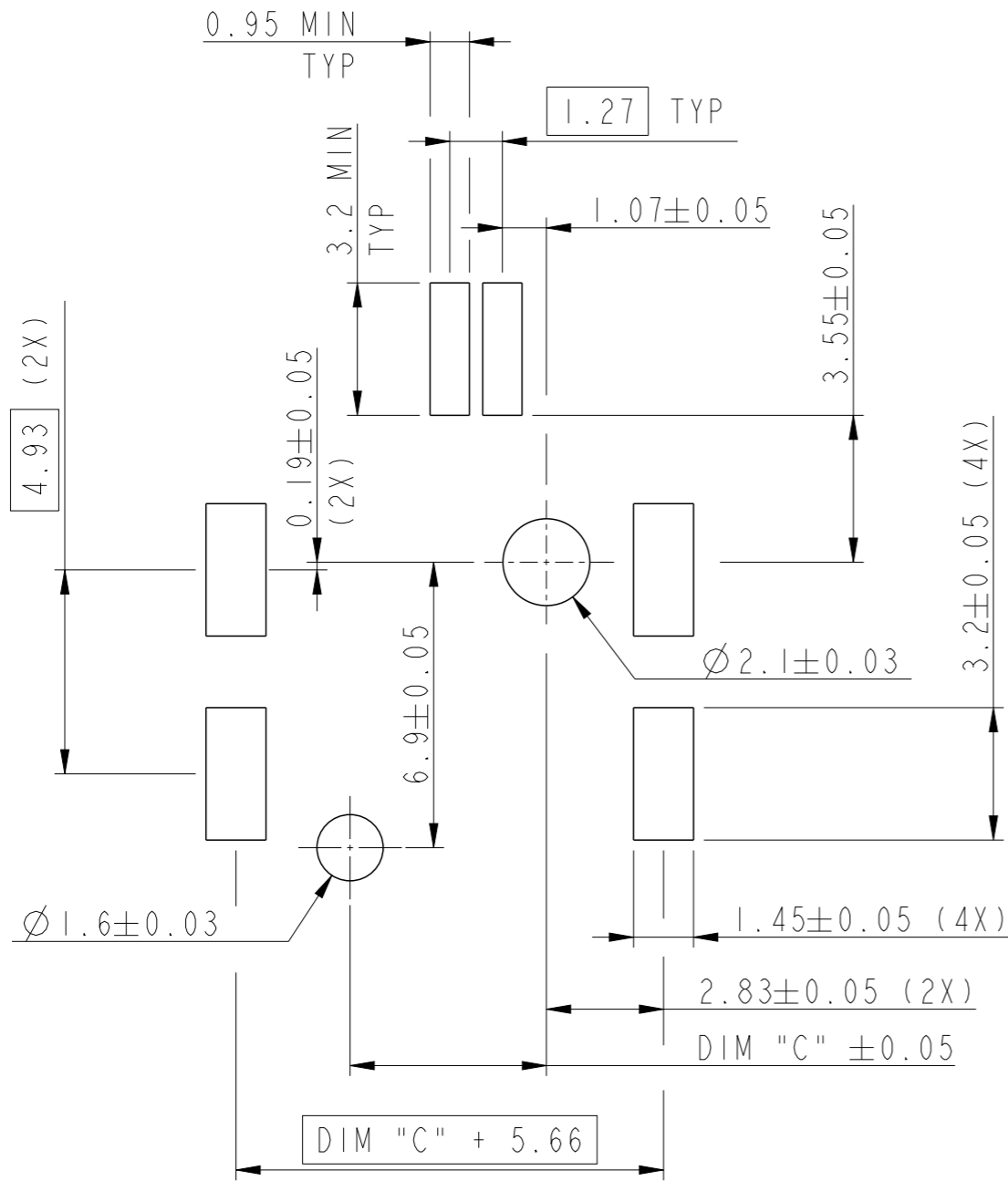
2

3

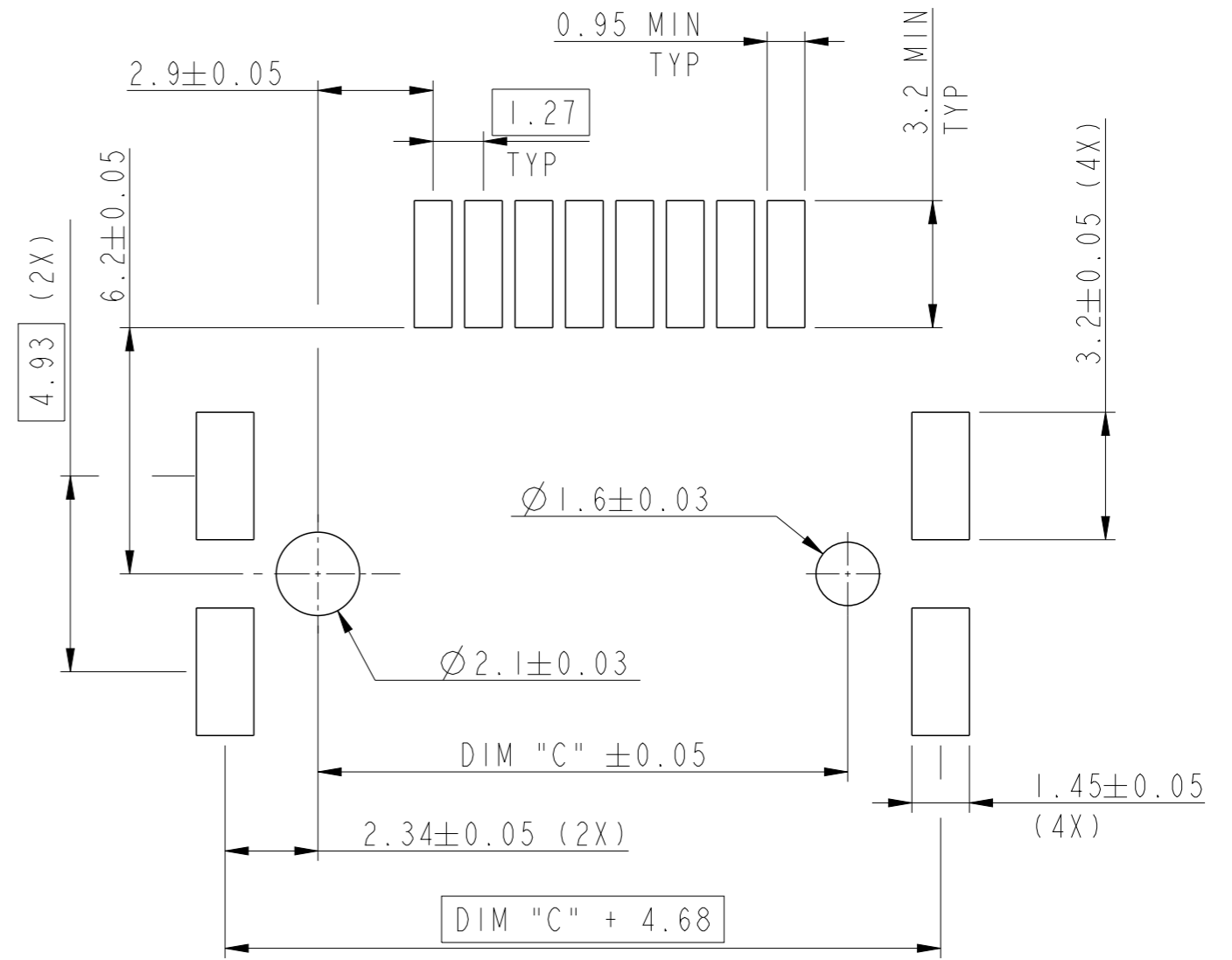
PDS: Rev :C

STATUS:Released

Printed: Apr 04, 2019



RECOMMENDED PCB LAYOUT FOR 2 AND 3 POS



RECOMMENDED PCB LAYOUT FROM 4 TO 16 POS

| | | | | | | | | | | | |
|---------------------------------------|---------------------|--------|----------------|-----------------|----------------|-------|------------------------|-------------------------------------|--------------|-----|---|
| spec ref | GS-12-1422 | dr | Ramu P | 2018/07/10 | projection | mm | size | A3 | scale | 6:1 | |
| tolerance std | ISO 406 ISO 1101 | eng | Cyril Jeune | 2019/04/03 | | ← → | ecn no | ELX-F-32875-1 | | | |
| TOLERANCES UNLESS OTHERWISE SPECIFIED | | chr | Hyppias, Arnau | 2019/04/03 | | | rel level | Released | | | |
| surface | linear | appr | Jean Barres | 2019/04/04 | product family | - | dwg no | 10142634 | | rev | C |
| ISO 1302 | angular | | | | cat. no. - | | Product - Customer Drw | | sheet 3 of 3 | | |
| | 0.X | ±0.3 | | Amphenol FCi | | title | | HEADER ASSEMBLY | | | |
| | 0.XX | ±0.10 | | | | | | MINITEK μSPACE STAGGERED SIDE LATCH | | | |
| | 0.XXX | ±0.005 | | | | | | | | | |
| | 0° | ±2° | | | | | | | | | |

X-ON Electronics

Largest Supplier of Electrical and Electronic Components

Click to view similar products for [Headers & Wire Housings](#) category:

Click to view products by [Amphenol](#) manufacturer:

Other Similar products are found below :

[892-18-020-10-001101](#) [58102-G61-06LF](#) [582553-1](#) [0009485154](#) [009176003701906](#) [0050291907](#) [LY20-4P-DT1-P1E-BR](#) [02.125.8002.8](#)
[609-3404](#) [61062-3](#) [622-0430](#) [622-3653LF](#) [63453-116](#) [636-1030](#) [636-1427](#) [636-3427](#) [636-4007](#) [641938-9](#) [641991-4](#) [644827-2](#) [65817-010LF](#)
[65817-015LF](#) [65863-015LF](#) [66207-023LF](#) [67095-007LF](#) [67601157](#) [68648-049](#) [70.362.1628.0](#) [70-4210](#) [70-4226B](#) [70-4853B](#) [707-5020](#) [707-5028](#) [71.350.2428.0](#) [71918-208LF](#) [71961-016LF](#) [733-134](#) [733-162](#) [754199-000](#) [760-3052](#) [787-8014-00](#) [79531-3000](#) [FCN-360C032-B](#) [FCN-367T-T012/H](#) [FCN-723D010/2](#) [80.063.4001.1](#) [800-90-001-10-001000](#) [800-90-010-10-002000](#) [801-43-002-10-013000](#) [801-43-006-10-002000](#)