

PRODUCT DESCRIPTION CODE :

10143578-1XXK LF

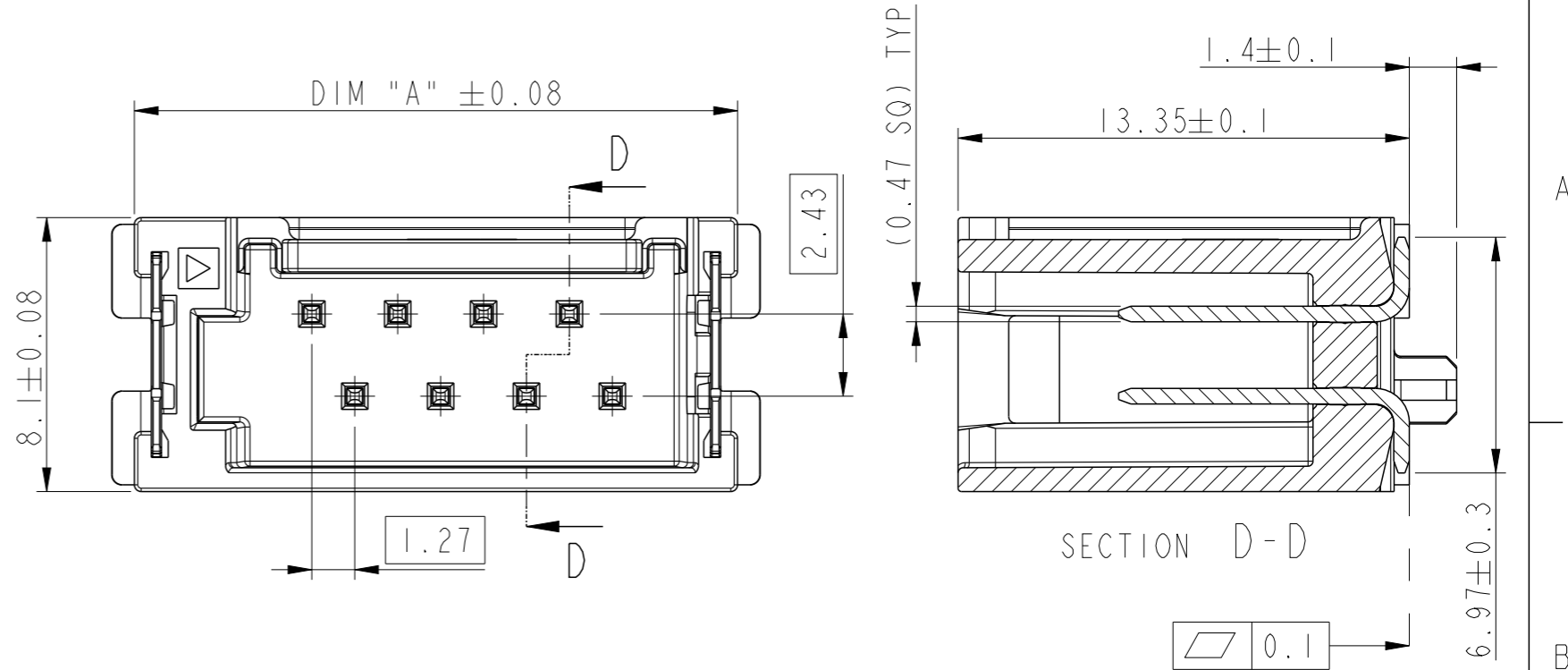
RoHS COMPATIBLE, SEE NOTE 3

FOR CUSTOMER CODE :
BLANK = GENERAL USE

PACKAGING :
K = TAPE & REEL

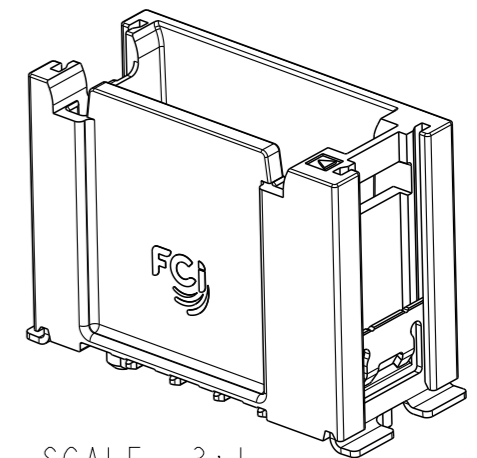
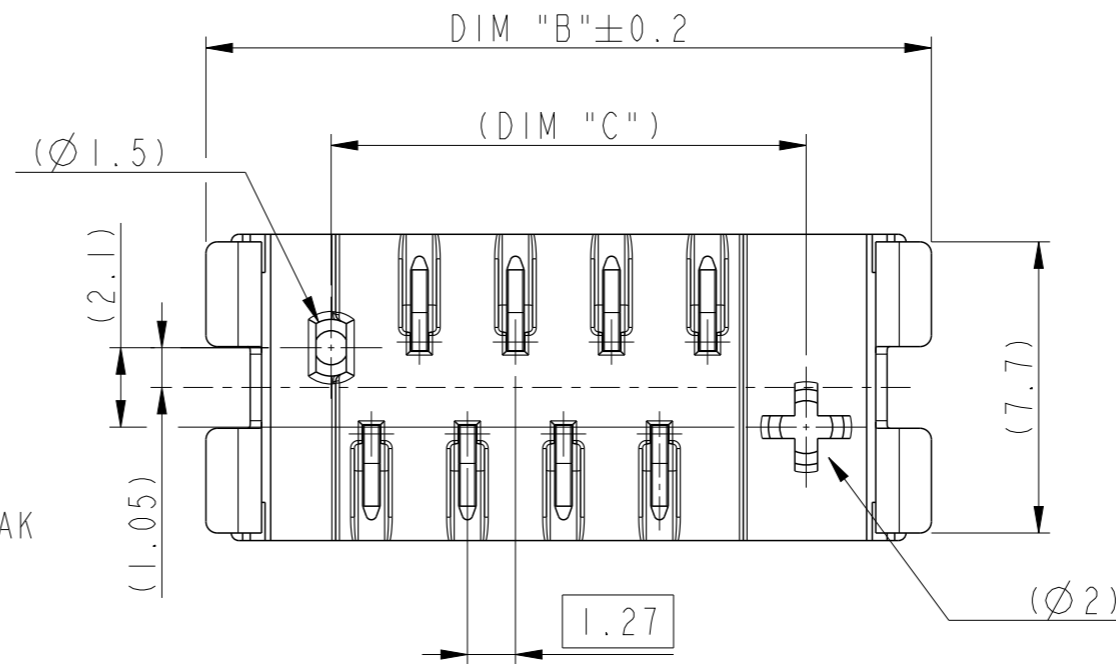
NUMBER OF POSITIONS : 02 TO 16

PLATING :
1 = 3µm MIN MATTE TIN (PREPLATED)
2 = 3µm MIN MATTE TIN (POST-PLATED)
ALL OVER 1.27µm MIN NICKEL UNDERLAYER



NOTES:

- 1 - MATERIAL:
HOUSING : HIGH TEMPERATURE THERMOPLASTIC
COLOR BLACK UL94 V-0
PIN : HIGH CURRENT COPPER ALLOY
- 2 - TO MATED WITH MINITEK µSPACE RECEPTACLE SERIES 10142632
- 3 - RoHS COMPATIBLE PRODUCT SPECIFICATIONS
 - a - PLATING:
"LF" MEANS THE PRODUCT IS LEAD FREE,
3µm MINIMUM MATTE TIN OVER 1.27µm MINIMUM NICKEL UNDERPLATE.
 - b - MANUFACTURING PROCESS COMPATIBILITY:
THE HOUSING WILL WITHSTAND EXPOSURE TO 260°C PEAK TEMPERATURE FOR 30 SECONDS MAX IN A CONVECTION, INFRA-RED OR VAPOR PHASE OR REFLOW OVEN.
 - c - LABELLING :
MEETS PACKAGING SPECS AS PER GS-14-920
 - d - LEGAL STATEMENT :
SEE GS-47-0004.

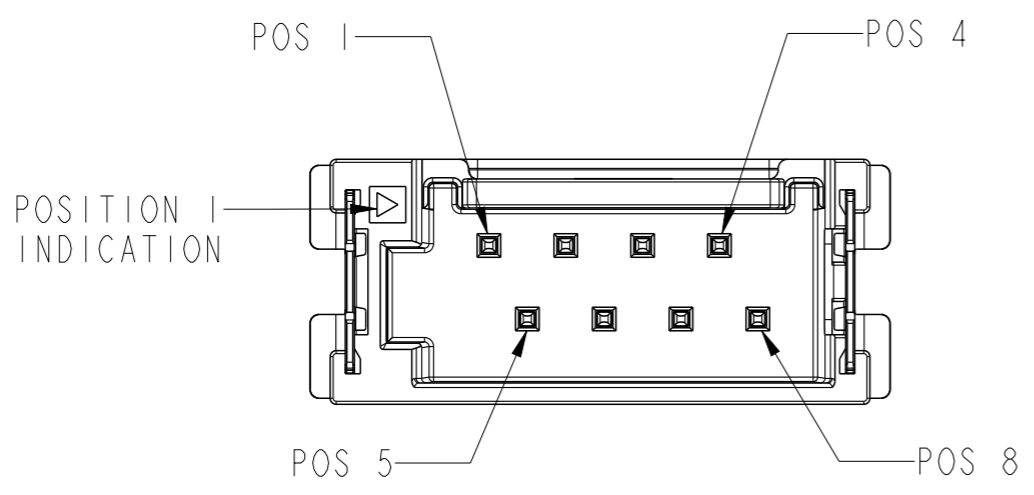


SCALE 3:1

spec ref	GS-12-1422	dr	Ramu P	2018/07/10	projection	mm	size	A3	scale	5:1
tolerance std	ISO 406 ISO 1101	eng	Cyril Jeune	2018/07/27			ecn no	-	rel level	Released
TOLERANCES UNLESS OTHERWISE SPECIFIED		chr	Hyppias, Arnau	2018/07/26						
surface	linear	0.X	±0.3		product family		dwg no	10143578	rev	A
		0.XX	±0.10		HEADER ASSEMBLY					
		0.XXX	±0.005		MINITEK µSPACE VERT. STG SIDE LATCH					
ISO 1302	angular	0°	±2°	cat. no.	-	Product - Customer Drw	sheet 1 of 3			

1 2 3 4

PART NO	NO. OF POSN	DIM "A"	DIM "B"	DIM "C"
10143578-102KLF	02	10.22	11.56	04.94
10143578-103KLF	03	11.49	12.83	06.21
10143578-104KLF	04	12.76	14.10	07.48
10143578-105KLF	05	14.03	15.37	08.75
10143578-106KLF	06	15.30	16.64	10.02
10143578-107KLF	07	16.57	17.91	11.29
10143578-108KLF	08	17.84	19.18	12.56
10143578-109KLF	09	19.11	20.45	13.83
10143578-110KLF	10	20.38	21.72	15.10
10143578-111KLF	11	21.65	22.99	16.37
10143578-112KLF	12	22.92	24.26	17.64
10143578-113KLF	13	24.19	25.53	18.91
10143578-114KLF	14	25.46	26.80	20.18
10143578-115KLF	15	26.73	28.07	21.45
10143578-116KLF	16	28.00	29.34	22.72

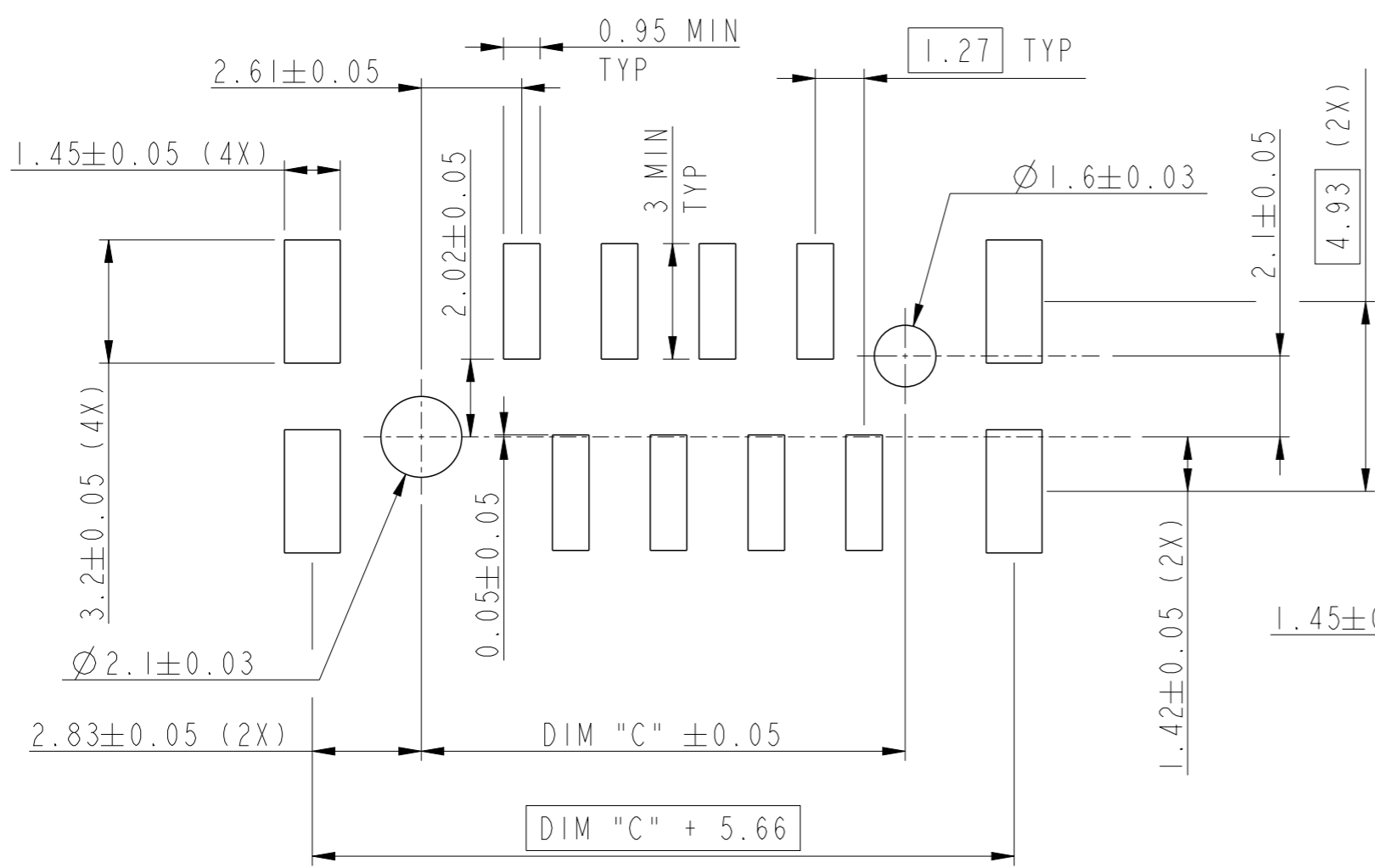


POSITION NUMBER INDICATION FOR 8POS VERSION

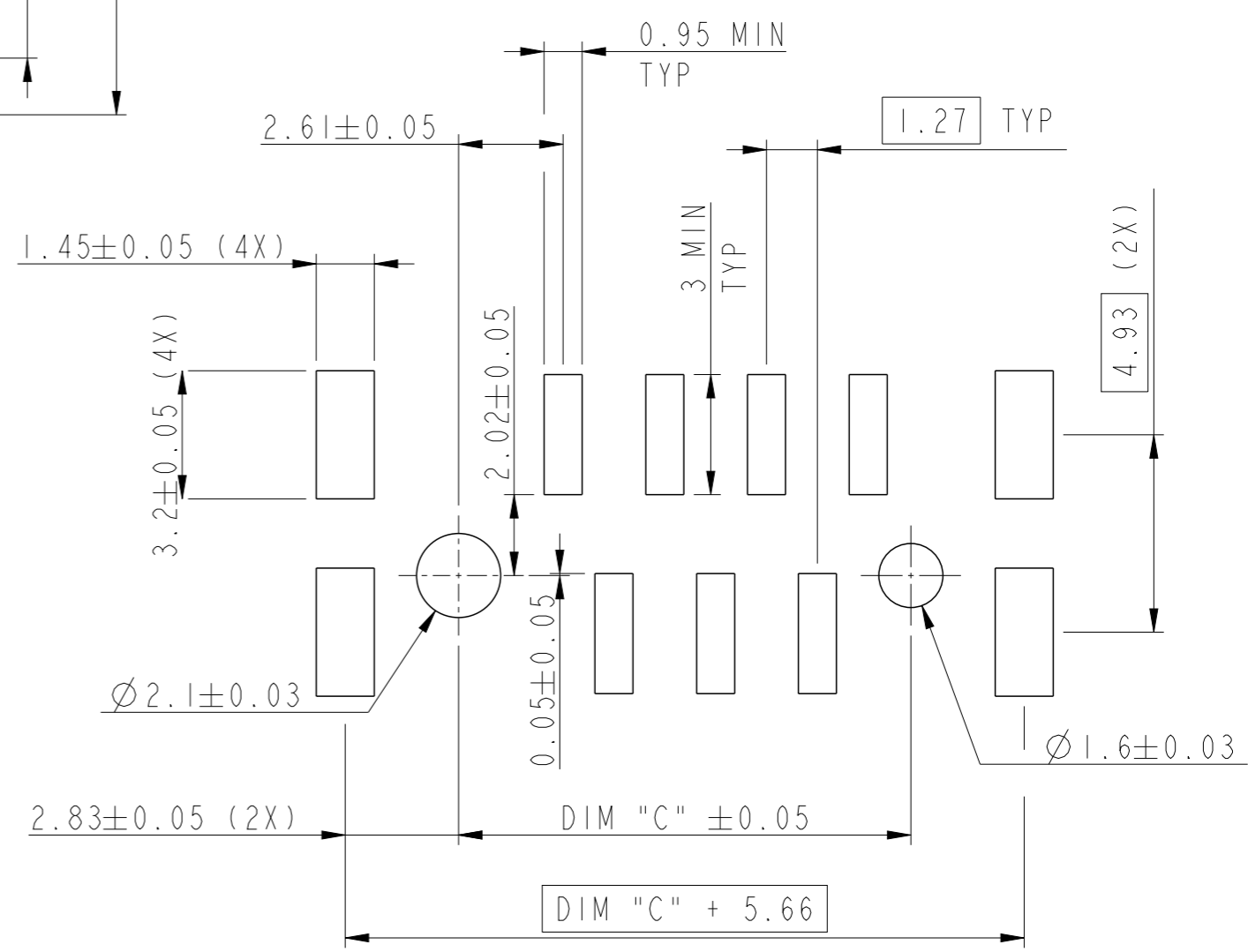
Amphenol
FCi

© 2016 AFCI

spec ref	GS-12-1422	dr	Ramu P	2018/07/10	projection	mm	size	A3	scale	6:1
tolerance std	ISO 406 ISO 1101	eng	Cyril Jeune	2018/07/27			ecn no		-	
TOLERANCES UNLESS OTHERWISE SPECIFIED		chr	Hyppias, Arnau	2018/07/26			rel level		Released	
surface	linear	appr	Aymeric Soudy	2018/07/27	product family		-		-	
	angular			HEADER ASSEMBLY MINITEK μSPACE VERT. STG SIDE LATCH		cat. no. -		Product - Customer Drw		sheet 2 of 3
ISO 1302	0.X ±0.3 0.XX ±0.10 0.XXX ±0.005			dwg no 10143578		rev A				



RECOMMENDED PCB LAYOUT FOR 02, 04, 06, 08, 10, 12, 14, 16 POS



RECOMMENDED PCB LAYOUT FOR 03, 05, 07, 09, 11, 13, 15 POS

spec ref	GS-12-1422	dr	Ramu P	2018/07/10	projection	mm	size	A3	scale	5:1			
tolerance std	ISO 406 ISO 1101	eng	Cyril Jeune	2018/07/27			ecn no		-				
TOLERANCES UNLESS OTHERWISE SPECIFIED		chr	Hyppias, Arnau	2018/07/26			rel level		Released				
surface	linear	0.X	±0.3	appr	Aymeric Soudy	2018/07/27	product family		-	rel level	Released		
		0.XX	±0.10	Amphenol FCi		title		HEADER ASSEMBLY		dwg no	10143578	rev	A
		0.XXX	±0.005	MINITEK μSPACE VERT. STG SIDE LATCH		cat. no.		-		Product - Customer Drw		sheet 3 of 3	
	angular	0°	±2°										

X-ON Electronics

Largest Supplier of Electrical and Electronic Components

Click to view similar products for [Headers & Wire Housings](#) category:

Click to view products by [Amphenol](#) manufacturer:

Other Similar products are found below :

[95000-104TRLF](#) [10135584-644402LF](#) [DF62W-EP2022PCA](#) [95000-106TRLF](#) [DF62W-2022SCA](#) [DF62W-EP2022PC](#) [2203348](#) [DF62W-2022SC](#) [1084018](#) [1029039](#) [1084017](#) [802-10-012-10-002000](#) [1112640](#) [1112639](#) [891-007-9SS-BST1T](#) [000-34000](#) [0008550134](#) [0009482033](#) [0009507031](#) [57102-F02-18ULF](#) [57102-S06-03LF](#) [57202-S52-04LF](#) [PCN6-15S-2.5E](#) [0039019024](#) [58102-G61-06LF](#) [582553-1](#) [0009485154](#) [0009508121](#) [0022285053](#) [0050291907](#) [018731A](#) [LY20-4P-DT1-P1E-BR](#) [02.125.8002.8](#) [60101931](#) [60598-1 \(Cut Strip\)](#) [M1625-3R/100](#) [61062-3](#) [61082-181009](#) [CSU011177004](#) [636-1427](#) [638009-1](#) [641938-9](#) [641991-4](#) [644168-1](#) [644827-2](#) [647662-1](#) [65039-019ELF](#) [65692-001LF](#) [65781-018](#) [65781-047](#)