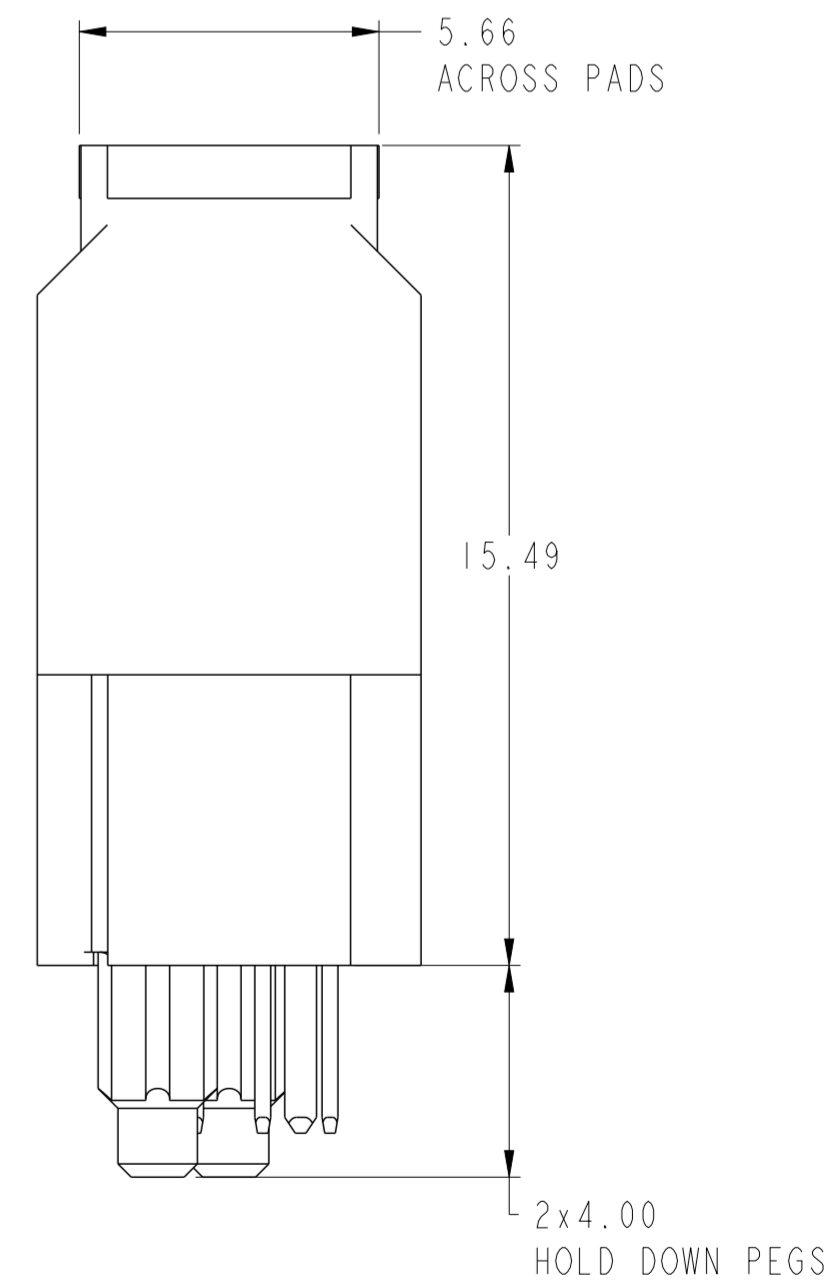


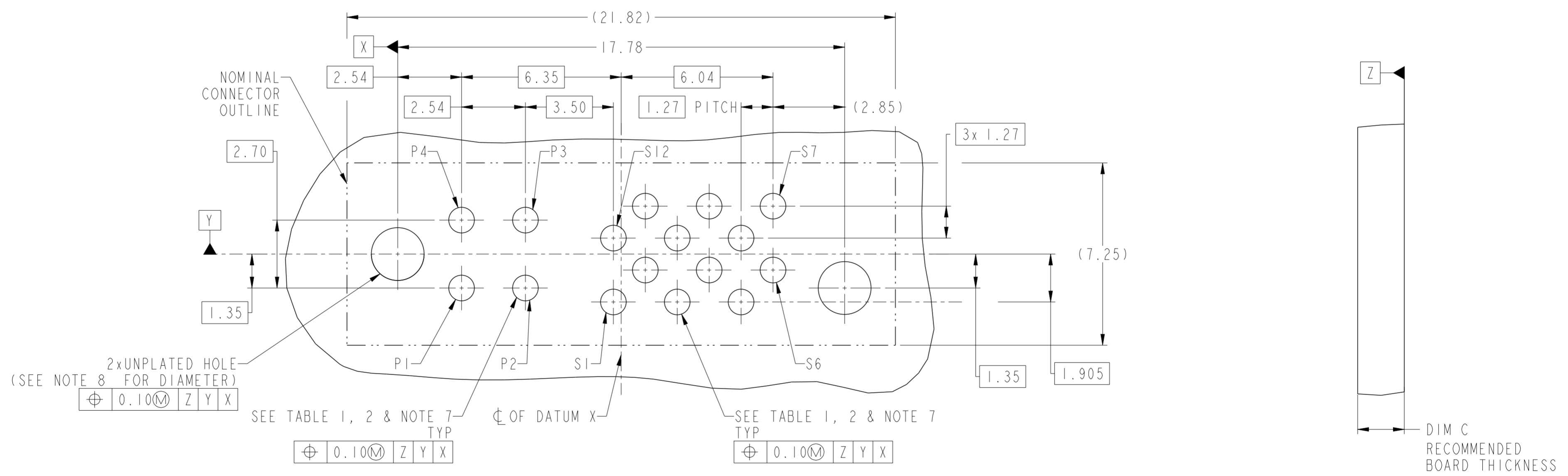
DIM B  
TAIL LENGTH  
SEE TABLE 3



spec ref	-	dr	Sunny2 Liu	2016/06/23	projection	MM	size	A2	scale	4:1
tolerance std	ASME Y14.5	eng	Sunny2 Liu	2016/07/14			ecn no	-	rel level	
TOLERANCES UNLESS OTHERWISE SPECIFIED		chr	Terris Liu	2016/07/14			rel level	Released		
surface	linear	appr	Pei-Ming Zheng	2016/07/14	product family	HPCE	cat. no.	10140155	rev	A
ASME Y14.5	angular	<b>Amphenol FCI</b>		title HPCE VT RECET 2LPI2S	Product - Customer Drw		sheet 1 of 4			

CONTACT TYPE	TOP LAYER DESCRIPTION	TABLE 1 (HPCE / SOLDER TAILS) PLATED THROUGH-HOLE REQUIREMENTS				
		DRILLED HOLE DIAMETER	COPPER THICKNESS	TIN-LEAD THICKNESS	TIN THICKNESS	FINISHED HOLE DIAMETER
POWER & SIGNAL	TIN-LEAD	1.10-1.16 (1.15 DRILL)	0.025 - 0.050	0.005 - 0.015	--	0.94 - 1.10
	IMMERSION TIN	1.10-1.16 (1.15 DRILL)	0.025 - 0.050	--	0.9 - 1.5um	0.94 - 1.10
	COPPER	1.10-1.16 (1.15 DRILL)	0.025 - 0.050	--	--	0.94 - 1.10

CONTACT TYPE	TOP LAYER DESCRIPTION	TABLE 2 (HPCE / PRESS-FIT TAILS) PLATED THROUGH-HOLE REQUIREMENTS				
		DRILLED HOLE DIAMETER	COPPER THICKNESS	TIN-LEAD THICKNESS	TIN THICKNESS	FINISHED HOLE DIAMETER
POWER & SIGNAL	TIN-LEAD	0.81-0.86 (0.85 DRILL)	0.025 - 0.050	0.005 - 0.015	--	0.65 - 0.80
	IMMERSION TIN	0.81-0.86 (0.85 DRILL)	0.025 - 0.050	--	0.9 - 1.5um	0.70 - 0.80
	COPPER	0.81-0.86 (0.85 DRILL)	0.025 - 0.050	--	--	0.70 - 0.80

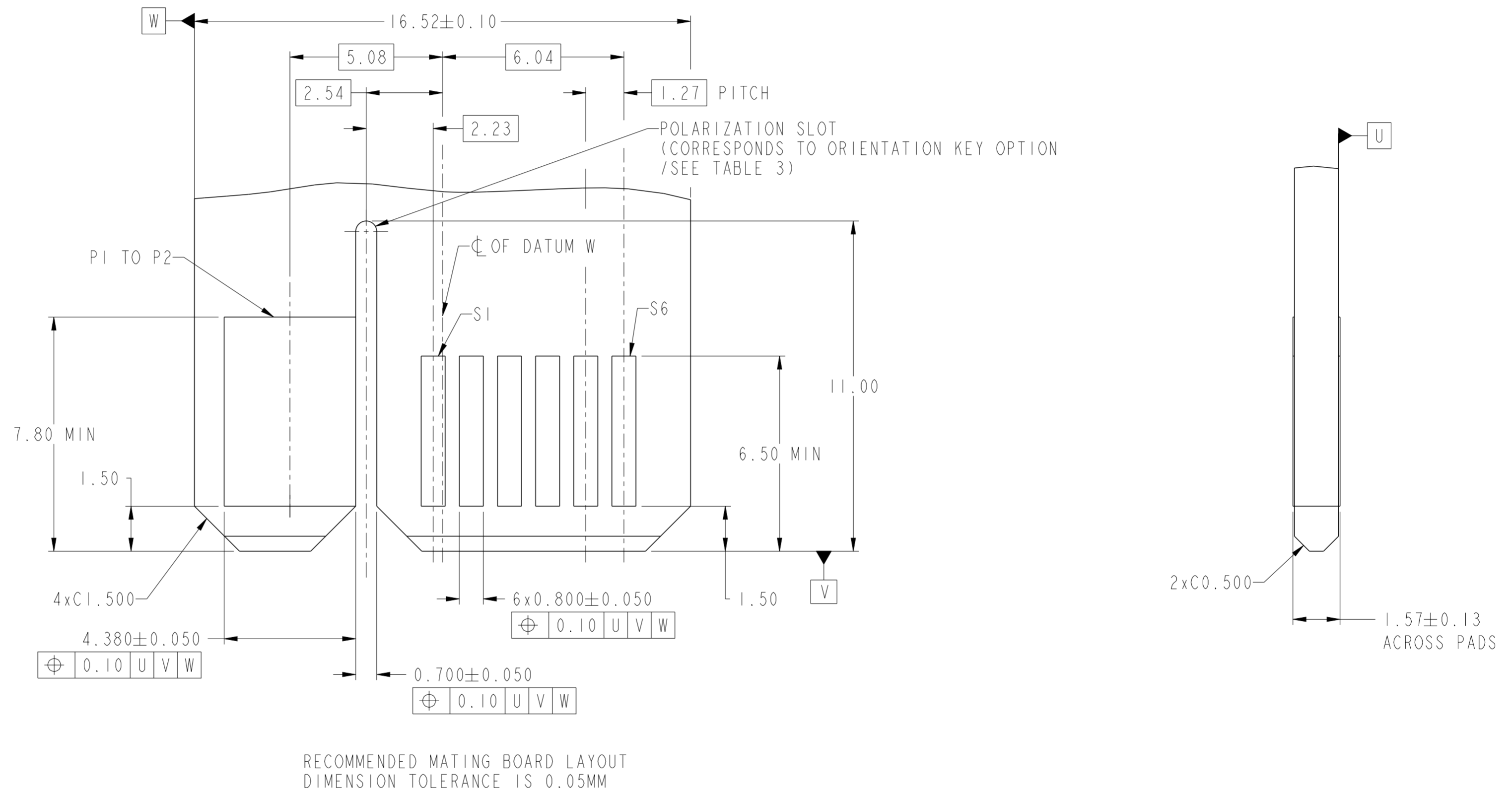


RECOMMENDED HOST BOARD LAYOUT  
DIMENSION TOLERANCE IS 0.05MM

spec ref	-	dr	Sunny2 Liu	2016/06/23	projection	MM	size	A2	scale	1:1
tolerance std	ASME Y14.5	eng	Sunny2 Liu	2016/07/14			ecn no	-	rel level	Released
TOLERANCES UNLESS OTHERWISE SPECIFIED		chr	Terris Liu	2016/07/14						
surface		appr	Pei-Ming Zheng	2016/07/14						
linear	0.X ±0.50 0.XX ±0.25 0.XXX ±0.10	Amphenol FCI		product family		-		cat. no.	Product - Customer Drw	sheet 2 of 4
angular	0° ±2°	HPCE VT RECET 2LPI2S		-		dwg no	10140155		rev	A

Amphenol FCI

© 2016 APCI



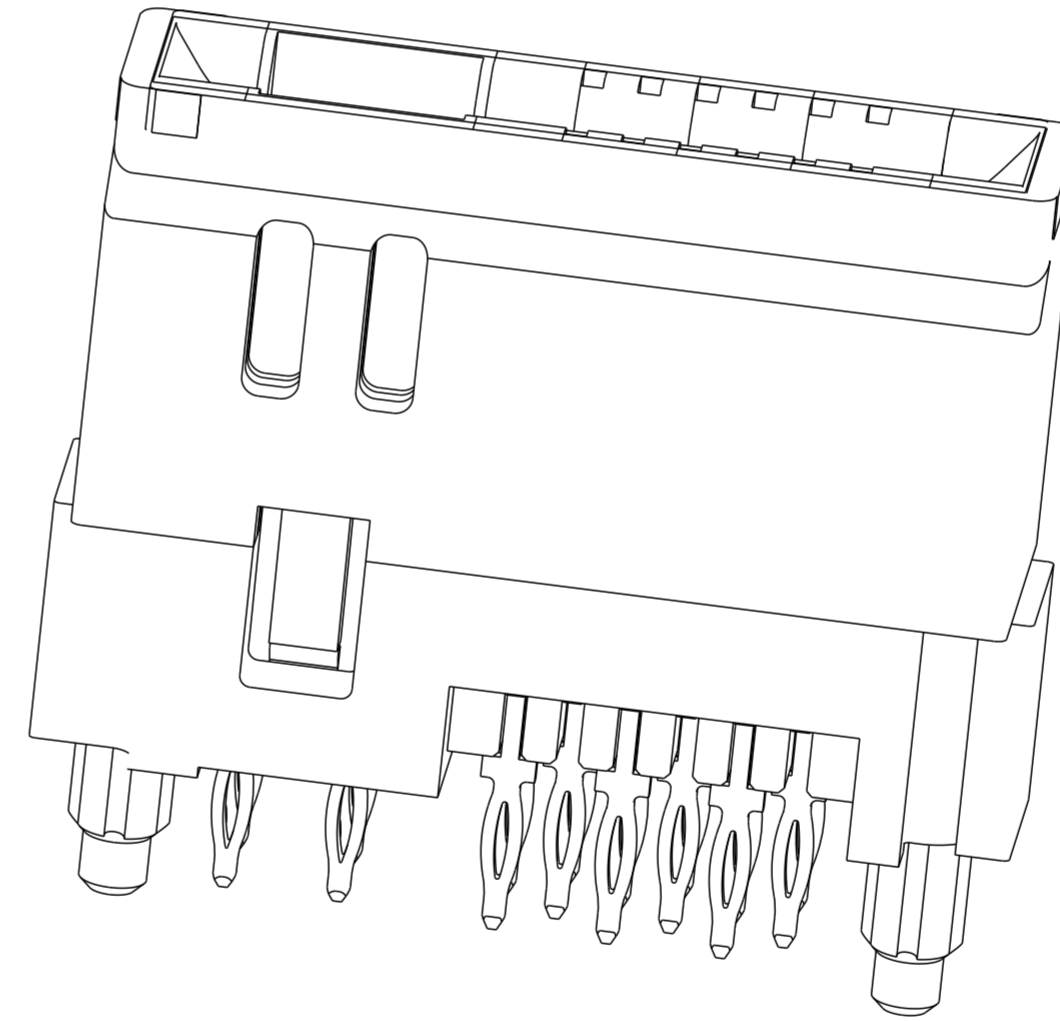
Amphenol  
FCi

© 2016 AFci

spec ref	-	dr	Sunny2 Liu	2016/06/23	projection	MM	size	A2	scale	1:1	
tolerance std	ASME Y14.5	eng	Sunny2 Liu	2016/07/14			ecn no	-	rel level	Released	
TOLERANCES UNLESS OTHERWISE SPECIFIED		chr	Terris Liu	2016/07/14							
		appr	Pai-Ming Zheng	2016/07/14							
surface	ASME Y14.5	linear	0.X	±0.50			title	HPCE VT RECET		dwg no 10140155	rev A
		angular	0°	±2°	cat. no.	-	Product - Customer Drw	sheet 3 of 4			

HPCE PART NUMBER (TABLE 3)

PART NUMBER	TAIL TYPE	ORIENTATION KEY	DIM A TAIL LENGTH (POWER CONTACT)	DIM B TAIL LENGTH (SIGNAL CONTACT)	DIM C RECOMMENDED BOARD THICKNESS
10140155-001LF	SOLDER	YES	3.17 ±0.25	3.17±0.25	2.36±0.13
10140155-002LF		NO			
10140155-003LF	PRESS FIT	YES			1.57 MIN
10140155-004LF		NO			
10140155-005LF	SOLDER	YES	4.05±0.25	3.75±0.25	3.20±0.13
10140155-006LF		NO			



NOTES:

- CONNECTOR MATERIALS:  
HOUSING: HIGH TEMPERATURE THERMAL PLASTIC, BLACK  
UL 94V-0 COMPLIANT  
CONTACTS: HIGH PERFORMANCE COPPER ALLOY.
- CONTACT FINISH REF. GS-12-604 SECTION 5.2.
- PRODUCT SPECIFICATION: GS-12-604.
- APPLICATION SPECIFICATION: GS-20-128.
- PRODUCT MARKING ON HOUSING IN AREA SHOWN MEETS AFCI SPECIFICATION: GS-24-007.
- PACKAGING MEETS FCI SPECIFICATION GS-14-937.
- ALL HOLE SIZES ARE FINISHED HOLE SIZES.
- MOUNTING HOLES ARE UNPLATED  
 $\varnothing$  2.40 +/- 0.1 FOR PRESS-FIT TAILS  
 $\varnothing$  2.18 +/- 0.03 FOR SOLDER TAILS
- PRESS FIT APPLICATION TOOL DRAWING: 10119453.

spec ref	-	dr	Sunny2 Liu	2016/06/23	projection	MM	size	A2	scale	4:1
tolerance std	-	eng	Sunny2 Liu	2016/07/14			ecn no	-	rel level	Released
ASME Y14.5	TOLERANCES UNLESS OTHERWISE SPECIFIED	chr	Terris Liu	2016/07/14						
surface	linear	appr	Pei-Ming Zheng	2016/07/14	product family	HPCE	dwg no	10140155	rev	A
ASME Y14.5	angular				cat. no.	-	Product - Customer Drw	sheet 4 of 4		

## X-ON Electronics

Largest Supplier of Electrical and Electronic Components

*Click to view similar products for [Standard Card Edge Connectors](#) category:*

*Click to view products by [Amphenol](#) manufacturer:*

Other Similar products are found below :

[CR7E-30DB-3.96E\(72\)](#) [6565204-6](#) [1437274-4](#) [EBT156-22R2W](#) [1-582587-1](#) [284-0102-12100](#) [286-0052-12101A](#) [306022901000000](#) [307-056-520-300](#) [A6D22DS29C2](#) [1926088-2](#) [287-0032-12101](#) [345-060-559-303](#) [534671-1](#) [341-240-317](#) [345-044-500-300](#) [346-240-318](#) [395-100-524-300](#) [09-07-2032](#) [10035388-802LF](#) [10115859-011LF](#) [10122859-009LF](#) [101269333204245CLF](#) [530555-1](#) [66925-516LF](#) [5145409-273726-0005](#) [66308-1](#) [5036A30](#) [PEC-07-02-T-S-A](#) [KSLX-62-BR](#) [CT100F22-2-D](#) [MLSS100-12-C](#) [MLSS100-16-C](#) [SCC100F-11-C](#) [SCC100F-16-C](#) [SCC100F-20-C](#) [SCC100F-24-C](#) [SCC100F-25-C](#) [3-530656](#) [285-0112-12300](#) [346-068-556-300](#) [284-0492-11000](#) [287-0032-12301](#) [10139371-1824ALF](#) [MPE-D-52-R-SMT-9.2-TR](#) [10046972-002LF](#) [3VH36/1CN5](#) [1-1534798-3](#) [CR7C-28DA-4DS](#)