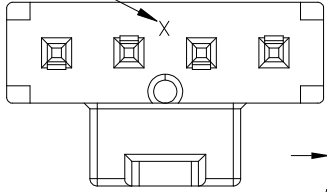
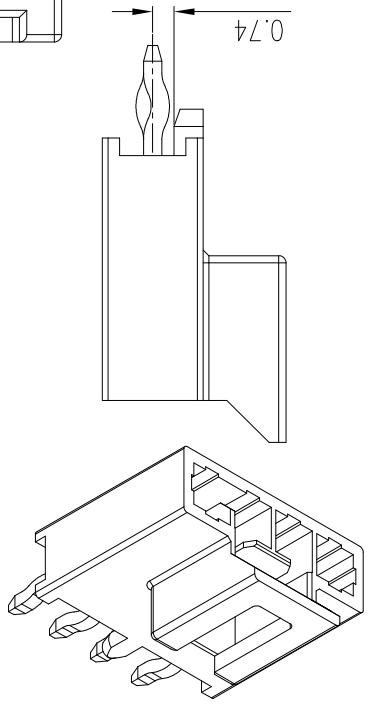
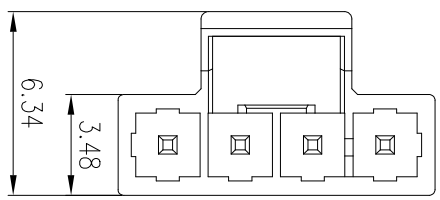
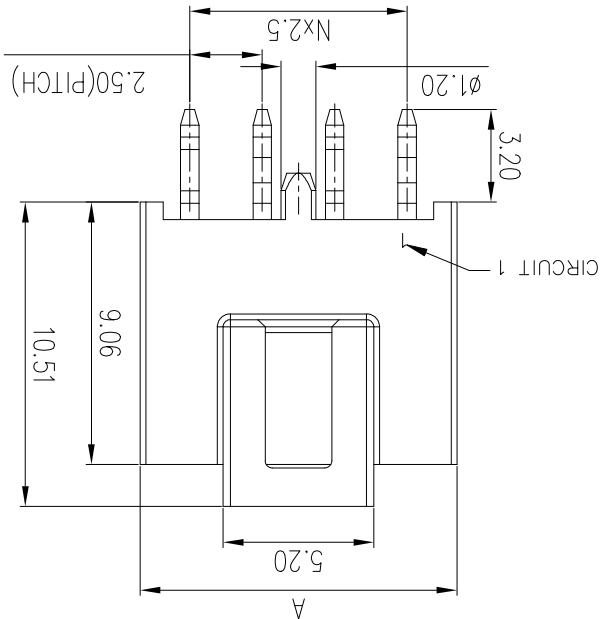
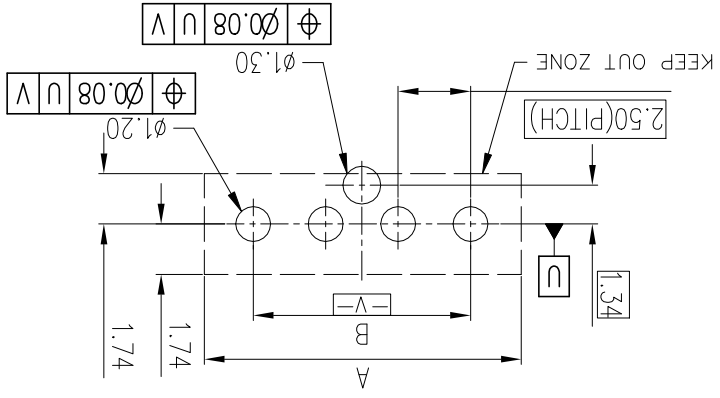
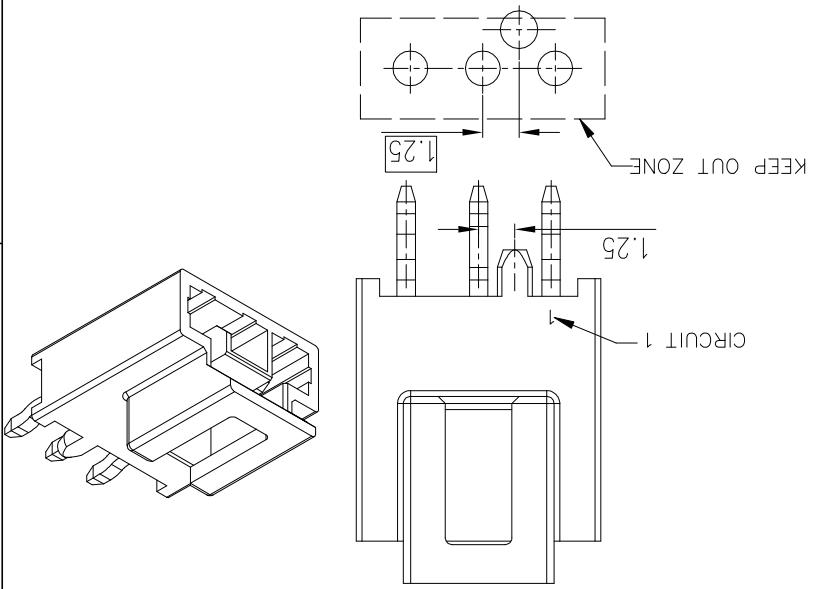


RECOMMENDED PCB LAYOUT(CONNECTOR SIDE VIEW)
 THICKNESS=1.6 TO 2.4MM



IF ANY NUMBER MARK APPEARS ON THIS SURFACE, PLEASE DISREGARD IT, IT IS NO ANY FUCTION AND NO ANY RELATION TO PIN NUMBER, IT IS JUST FOR MOLDING IDENTIFICATION.

ONLY FOR CKT 3,5,7
 OTHER DIMENSIONS SEFER TO LEFT VIEWS



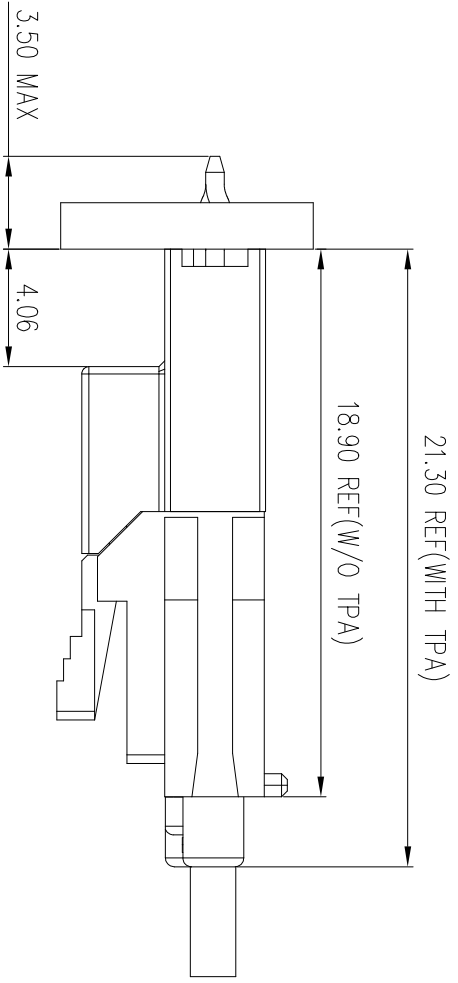
mat'l. code		ISO 1302	surface	tolerance	ISO 406 ISO 1101	projection	product family	MinitekPWR
itr	ecn no	dr	date	tolerances unless otherwise specified	1101	1101	title	
A	TONY	2017-11-21	angles	.0±.35	mm	mm	2.5mm Vertical Header	
B	ELX-N-30873 TONY	2018-08-03	linear	.00±.25	mm	mm	2.5mm Vertical Header	
			0±.2°	.000±.15	mm	mm	2.5mm Vertical Header	
dr	TONY LENG	2017-11-22					dwg no	10146242
eng	TONY LENG	2017-11-22					sheet 1 of 3 size	A3
chr	ZK HU	2017-11-22					type	Product Customer Drawing
appd	TIM YAO	2017-11-22					sheet	
revision	B		index	sheet	1			

PART NO.	POS	A	B
10146242-02XXLF	2	5.94	2.50
10146242-03XXLF	3	8.44	5.00
10146242-04XXLF	4	10.94	7.50
10146242-05XXLF	5	13.44	10.00
10146242-06XXLF	6	15.94	12.50
10146242-07XXLF	7	18.44	15.00
10146242-08XXLF	8	20.94	17.50

DIMENSIONAL & PART NO. TABLE:

- Notes:
- 1. MATERIAL: HOUSING: LCP, HALOGEN FREE, GLOW WIRE COMPATIBLE
THIS HOUSING WILL WITHSTAND EXPOSURE TO 260°C PEAK TEMP FOR 10S IN A REFLOW OVEN.
 - 2. PLATING FINISHED: CONTACT AREA: SEE PART NUMBER SCHEME
SOLDER AREA: TIN 60u"MIN;
UNDER PLATING NICKEL 50u"MIN;
 - 3. PRODUCT SPEC: GS-12-1456
 - 4. PACKAGING SPEC: GS-14-2610
 - 5. USE WITH AFCI RECEPTACLE 10146579
 - 6. PART NUMBER SCHEME:
10146242-XX X X LF
POS. CODE:
02: 2 POS.
03: 3 POS.
08: 8 POS.
 - INSULATION COLOR:
B: BLACK
N: NATURAL
C: ORANGE
G: GREEN
 - CONTACT AREA PLATING:
0: 60u" TIN
1: 15u" Au
2: 30u" Au

1. MATERIAL: HOUSING: LCP, HALOGEN FREE, GLOW WIRE COMPATIBLE
THIS HOUSING WILL WITHSTAND EXPOSURE TO 260°C PEAK TEMP FOR 10S IN A REFLOW OVEN.



mat'l. code		ISO 1302	surface	tolerance	ISO 406 ISO 1101	projection	product family	MinitekPWR	
ltr ecn no dr date		tolerances unless otherwise specified					title	2.5mm Vertical Header	
angles		linear	0±.2°	0.004.15	mm	scale 1:1	dwg no 10146242 sheet 2 of 3 size A3		
dr		TONY LENG		2017-11-22		type Product Customer Drawing			
eng		TONY LENG		2017-11-22		sheet revision B 2			
chr		ZK HU		2017-11-22		index sheet 2			
appd		TIM YAO		2017-11-22		STATUS:Released			



© 2016 AF CI

mat'l. code		ISO 1302	ISO 406	ISO 1101	projection	product family	MinitekPWR
litr	ecn no	dr	date	tolerances	unless otherwise specified	title	
				angles	.04 .35		
				linear	.004 .25		
				0±.2°			
				scale	1:1		
				dr	TONY LENG	2017-11-22	
				eng	TONY LENG	2017-11-22	
				chr	ZK HU	2017-11-22	
				appd	TIM YAO	2017-11-22	
sheet	revision	B					
index	sheet	3					

					NATURAL
					BLACK
				6 POS.	
				7 POS.	
				8 POS.	
					NATURAL
					BLACK
				2 POS.	
				3 POS.	
				4 POS.	
				5 POS.	

X-ON Electronics

Largest Supplier of Electrical and Electronic Components

Click to view similar products for [Headers & Wire Housings](#) category:

Click to view products by [Amphenol](#) manufacturer:

Other Similar products are found below :

[95000-104TRLF](#) [10135584-644402LF](#) [DF62W-EP2022PCA](#) [95000-106TRLF](#) [DF62W-2022SCA](#) [DF62W-EP2022PC](#) [2203348](#) [DF62W-2022SC](#) [1084018](#) [1029039](#) [1084017](#) [802-10-012-10-002000](#) [1112640](#) [1112639](#) [891-007-9SS-BST1T](#) [000-34000](#) [0008550134](#) [0009482033](#) [0009507031](#) [57102-F02-18ULF](#) [57102-S06-03LF](#) [57202-S52-04LF](#) [PCN6-15S-2.5E](#) [0039019024](#) [58102-G61-06LF](#) [582553-1](#) [0009485154](#) [0009508121](#) [0022285053](#) [0050291907](#) [018731A](#) [LY20-4P-DT1-P1E-BR](#) [02.125.8002.8](#) [60101931](#) [60598-1 \(Cut Strip\)](#) [M1625-3R/100](#) [61062-3](#) [61082-181009](#) [CSU011177004](#) [636-1427](#) [638009-1](#) [641938-9](#) [641991-4](#) [644168-1](#) [644827-2](#) [647662-1](#) [65039-019ELF](#) [65692-001LF](#) [65781-018](#) [65781-047](#)