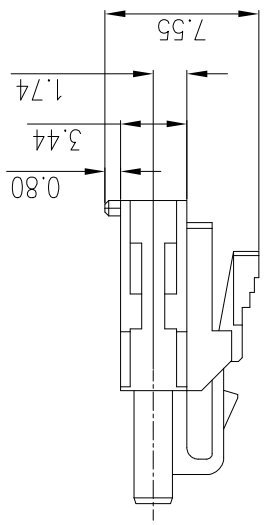
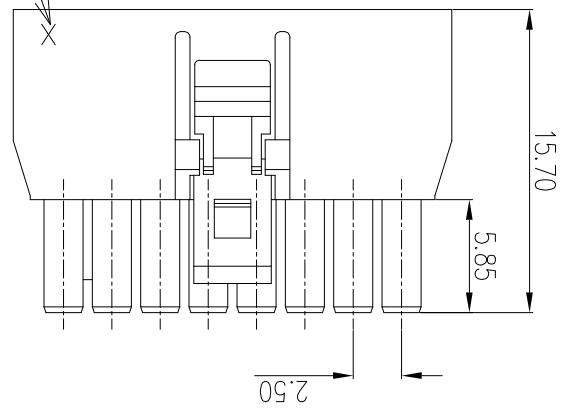
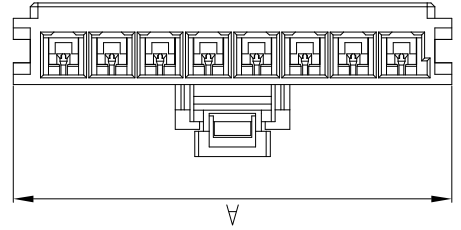
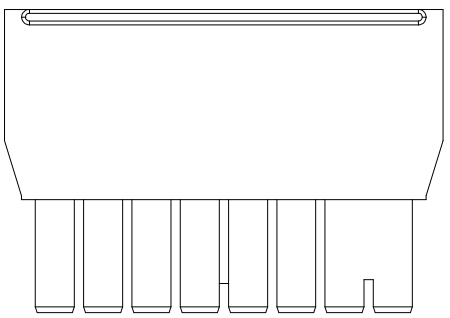


Notes:
 1. MATERIAL: HOUSING: PA4T,30% GLASS FILLED,94V-0 HALOGEN FREE, GLOW WIRE COMPATIBLE
 2. PRODUCT SPEC: GS-12-1456
 3. PACKAGING SPEC: GS-14-2610
 4. USE WITH AF CI HEADER 10146242
 5. PART NUMBER SCHEME: 10146579-XX 0 X LF
 POS. CODE:
 02: 2 POS.
 03: 3 POS.
 08: 8 POS.
 INSULATION COLOR:
 LEAD FREE
 B: BLACK
 N: NATURAL
 C: ORANGE
 G: GREEN

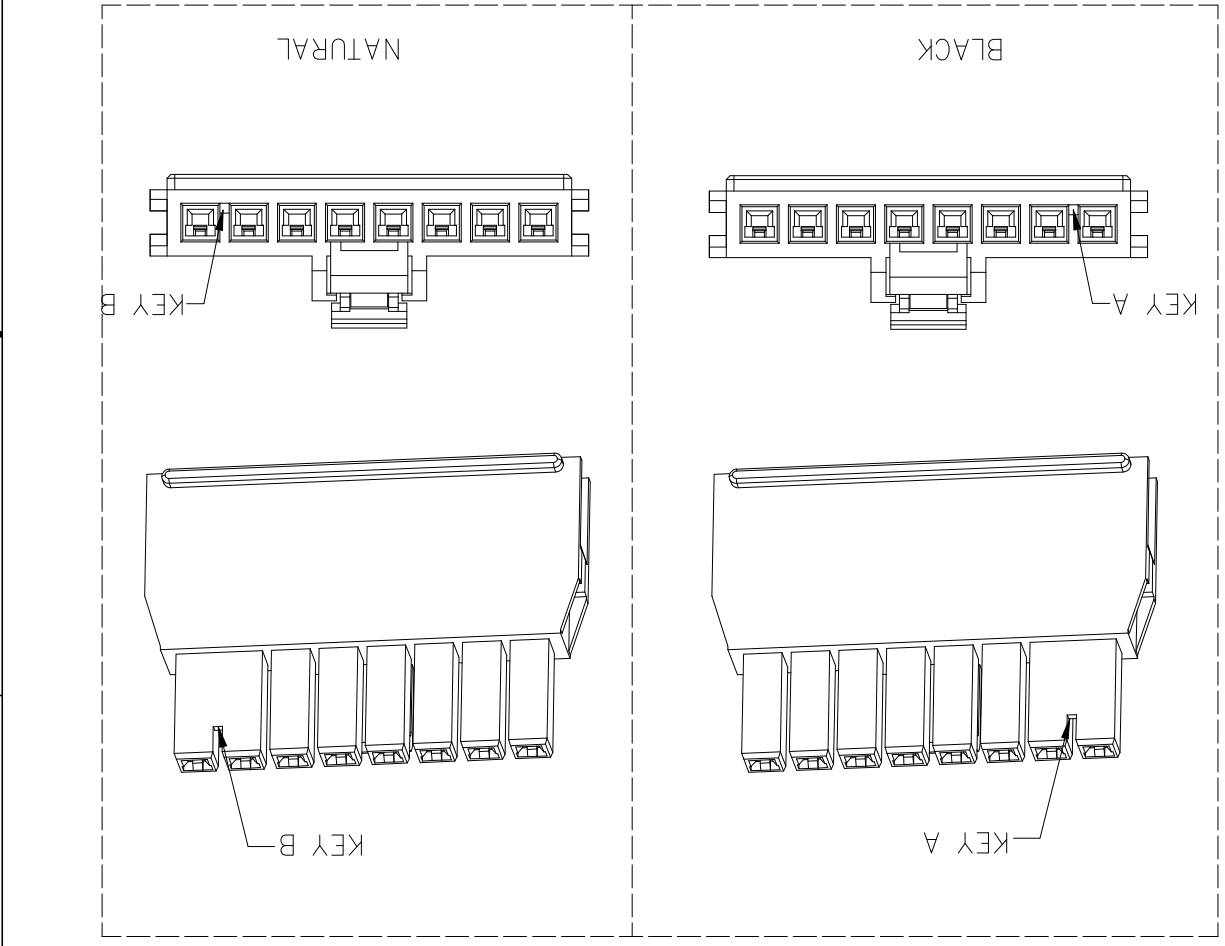
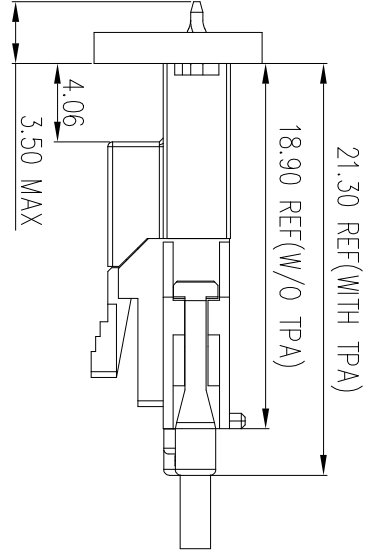
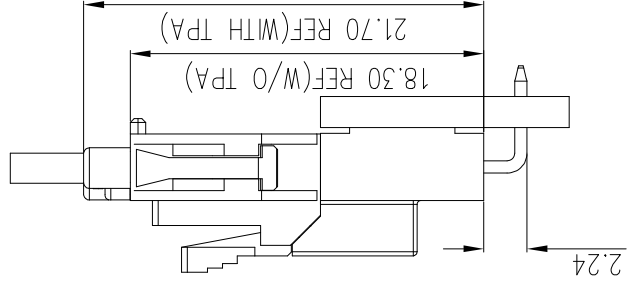


DIMENSIONAL & PART NO. TABLE:

PART NO.	POS	A
10146579-020XLF	2	7.70
10146579-030XLF	3	10.20
10146579-040XLF	4	12.70
10146579-050XLF	5	15.20
10146579-060XLF	6	17.70
10146579-070XLF	7	20.20
10146579-080XLF	8	22.70



mat'l. code		ISO 1302	surface	tolerance	ISO 406 ISO 1101	projection	product family	MinitekPWR
ltr	ecm no	dr	date	tolerances unless otherwise specified	mm	title	2.5mm Rece Housing	
A	TONY	2017-11-21	angles	.0±.35	mm			
B	ELX-N-30873 TONY	2018-08-03	linear	.00±.25	mm			
	0±.2°			.000±.15	mm	scale 1:1		
dr	TONY LENG	2017-11-22					dwg no	10146579
eng	TONY LENG	2017-11-22					sheet 1 of 3 size	A3
chr	ZK HU	2017-11-22					type	Product Customer Drawing
appd	TIM YAO	2017-11-22						
sheet	revision	B	index	sheet	1			

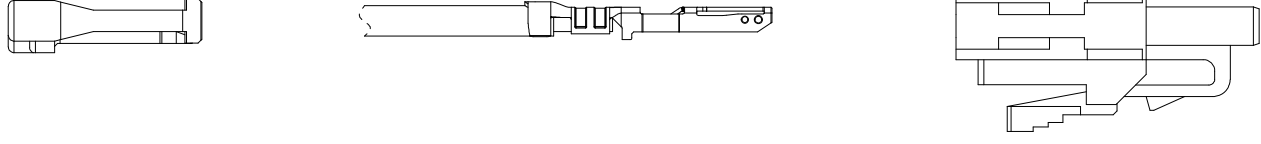
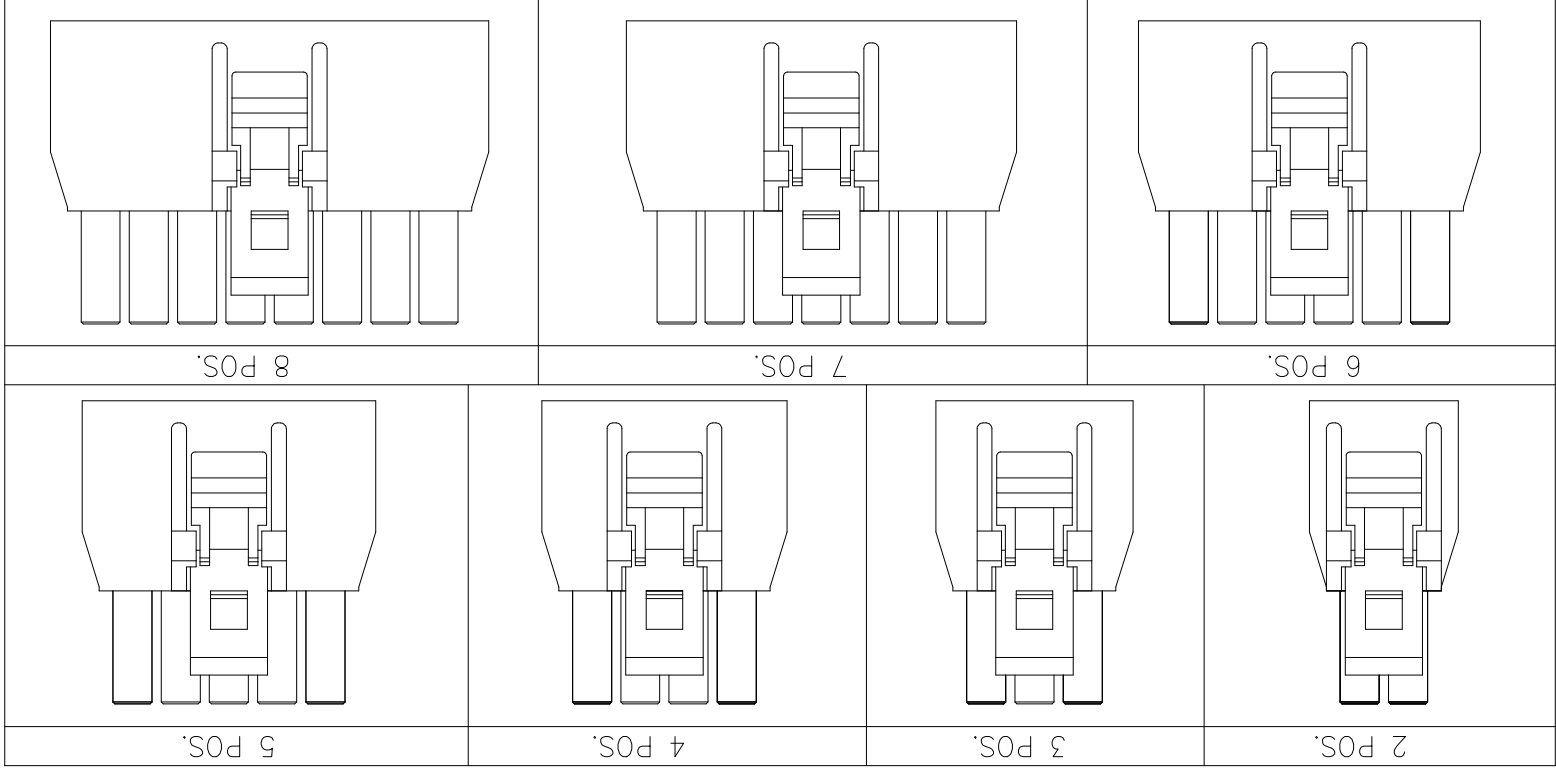


mat'l. code		ISO 1302	surface	tolerance	ISO 406 ISO 1101	projection	product family	MinitekPWR
ltr	ecn no	dr	date	tolerances unless otherwise specified	angles	linear	title	
					0±.2°	0.00±.15	2.5mm Rece Housing	
					0±.35	mm		
					0.00±.25	mm		
					scale 1:1			
dr	TONY LENG	2017-11-22	dwg no	10146579	sheet 2 of 3 size	A3		
eng	TONY LENG	2017-11-22	type	Product Customer Drawing				
chr	ZK HU	2017-11-22						
appd	TIM YAO	2017-11-22						
sheet	revision	B	index	sheet	2			

6 5 4 3 2 1 1 2 3 4 5 6

D C B A 1 2 3 4 5 6

TERMINAL AND TAP ORIENTATION



mat'l. code		ISO 1302	ISO 406	ISO 1101	projection	product family	MinitekPWR
ltr	ecn no	dr	date	tolerances unless otherwise specified		title	
				angles	linear	mm	
				0±.2°	.004.25	←	
					.004.15	→	2.5mm Rece Housing
					scale 1:1		
		dr	TONY LENG	2017-11-22		dwg no	sheet 3 of 3 size
		eng	TONY LENG	2017-11-22		10146579	A3
		chr	ZK HU	2017-11-22			
		appd	TIM YAO	2017-11-22		type	Product Customer Drawing
		sheet	revision	B			
		index	sheet	3			

X-ON Electronics

Largest Supplier of Electrical and Electronic Components

Click to view similar products for [Headers & Wire Housings](#) category:

Click to view products by [Amphenol](#) manufacturer:

Other Similar products are found below :

[95000-104TRLF](#) [10135584-644402LF](#) [DF62W-EP2022PCA](#) [95000-106TRLF](#) [DF62W-2022SCA](#) [DF62W-EP2022PC](#) [2203348](#) [DF62W-2022SC](#) [1084018](#) [1029039](#) [1084017](#) [802-10-012-10-002000](#) [1112640](#) [1112639](#) [891-007-9SS-BST1T](#) [000-34000](#) [0008550134](#) [0009482033](#) [0009507031](#) [57102-F02-18ULF](#) [57102-S06-03LF](#) [57202-S52-04LF](#) [PCN6-15S-2.5E](#) [0039019024](#) [58102-G61-06LF](#) [582553-1](#) [0009485154](#) [0009508121](#) [0022285053](#) [0050291907](#) [018731A](#) [LY20-4P-DT1-P1E-BR](#) [02.125.8002.8](#) [60101931](#) [60598-1 \(Cut Strip\)](#) [M1625-3R/100](#) [61062-3](#) [61082-181009](#) [CSU011177004](#) [636-1427](#) [638009-1](#) [641938-9](#) [641991-4](#) [644168-1](#) [644827-2](#) [647662-1](#) [65039-019ELF](#) [65692-001LF](#) [65781-018](#) [65781-047](#)