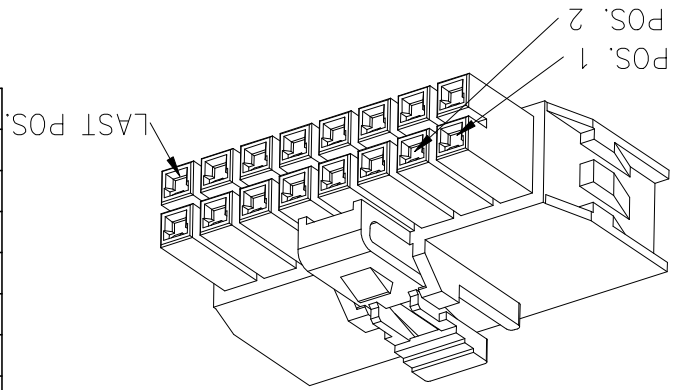
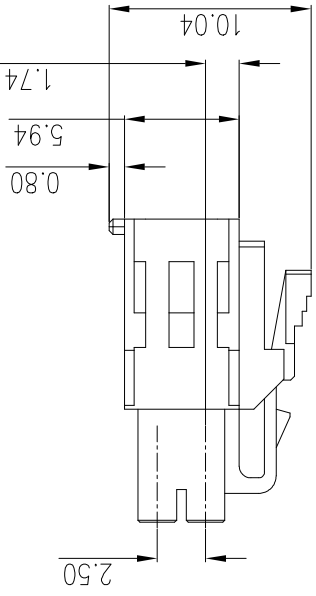
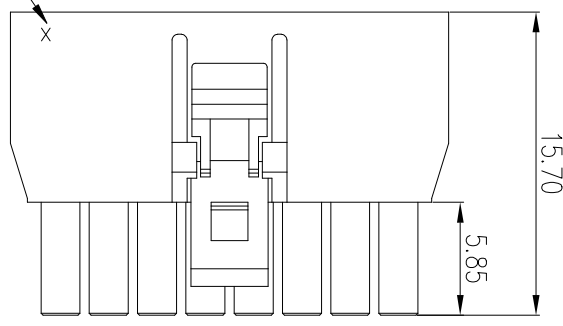
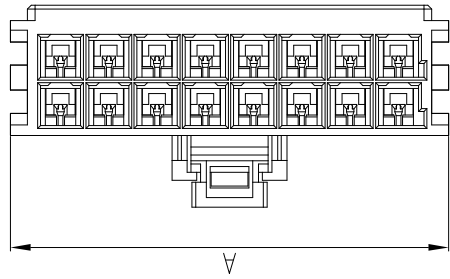


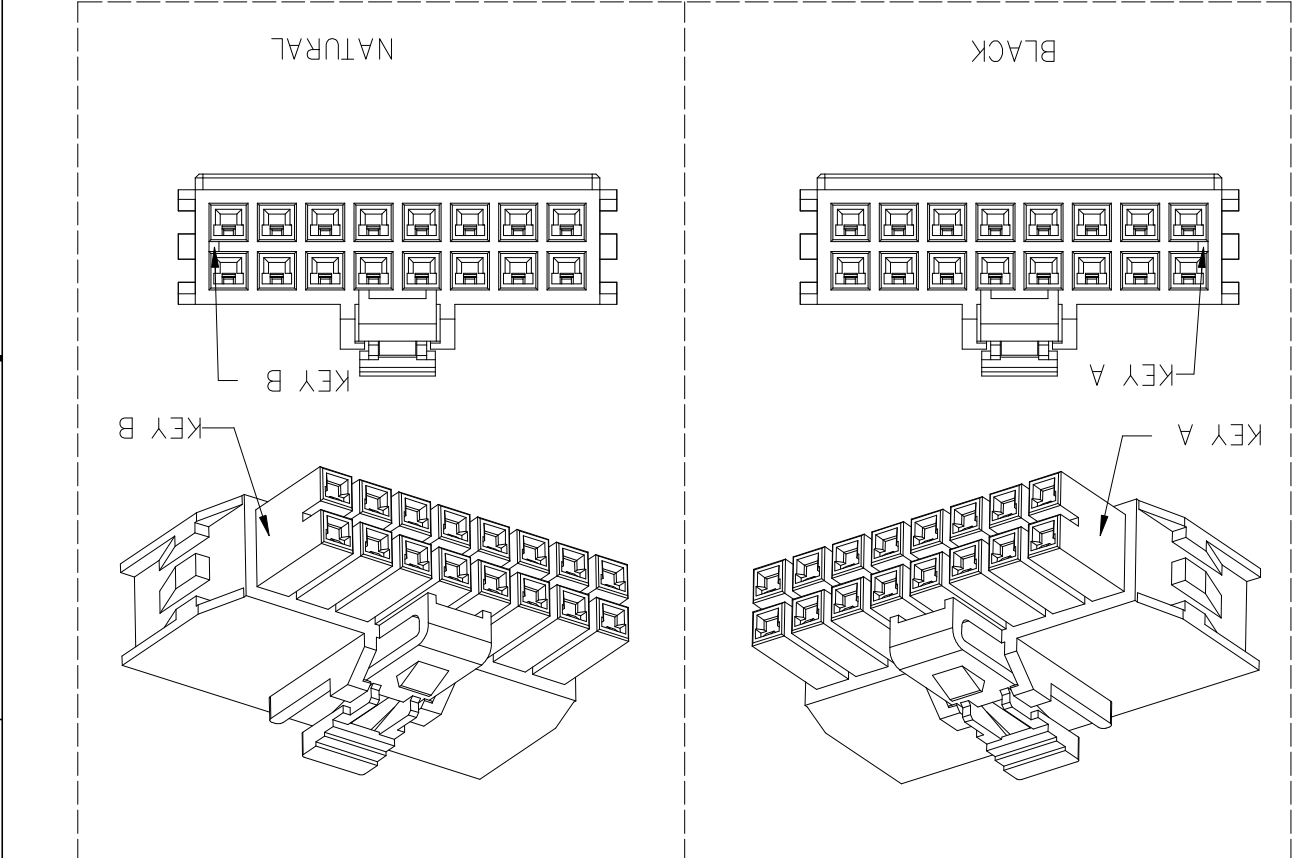
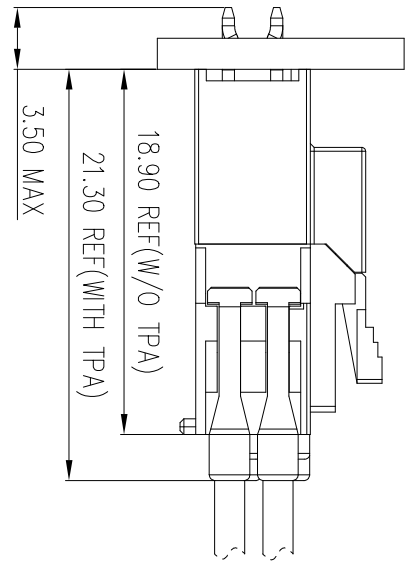
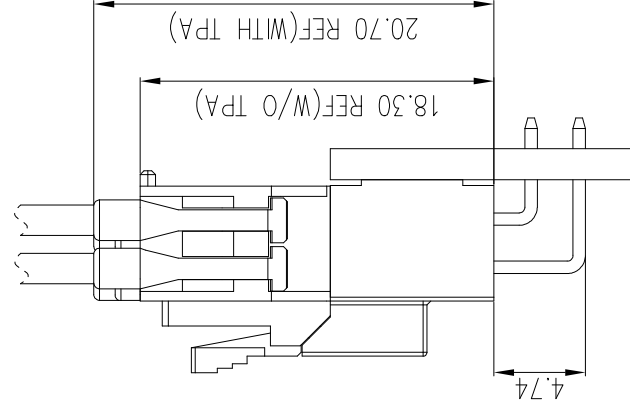
Notes:  
 1. MATERIAL: HOUSING: PA4T,30% GLASS FILLED,94V-0. HALOGEN FREE, GLOW WIRE COMPATIBLE  
 2. PRODUCT SPEC: GS-12-1456  
 3. PACKAGING SPEC: GS-14-2610  
 4. USE WITH AFCl HEADER: 10146581, 10146582, 10146243  
 5. PART NUMBER SCHEME: 10146580-XX 0 X LF  
 POS. CODE: 04: 4 POS. 06: 6 POS. 16: 16 POS.  
 INSULATION COLOR: N: NATURAL B: BLACK  
 LEAD FREE



DIMENSIONAL & PART NO. TABLE:

PART NO.	POS	10146580-040XLF	10146580-060XLF	10146580-080XLF	10146580-100XLF	10146580-120XLF	10146580-140XLF	10146580-160XLF
A	4	7.70	10.20	12.70	15.20	17.70	20.20	22.70

mat'l. code		ISO 1302	ISO 406	ISO 1101	projection	product family	MinitekPWR
litr	ecn no	dr	date	tolerances unless otherwise specified	title	2.5mm Rece Housing	
A		TONY	2017-11-21	angles: .04, .25 linear .004, .15	scale 1:1	dwg no	10146580
		dr	TONY LENG	2017-11-22		sheet 1 of 3 size	A3
		eng	TONY LENG	2017-11-22		type Product Customer Drawing	
		chr	ZK HU	2017-11-22			
		appd	TIM YAO	2017-11-22			
sheet	revision	A	A				
index	sheet	1	2				

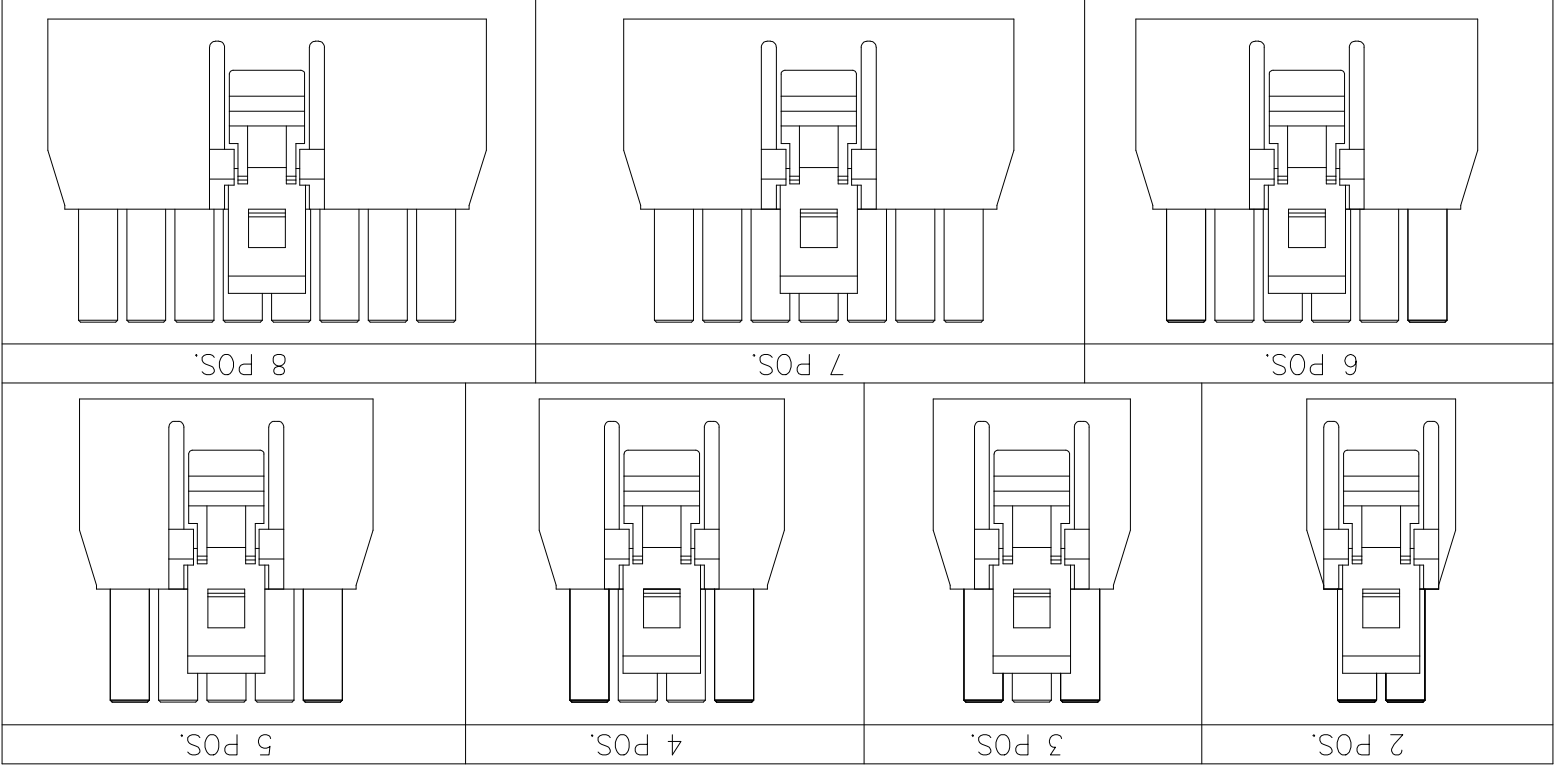


mat'l. code		ISO 1302	surface	tolerance	ISO 406 ISO 1101	projection	product family	MinitekPWR	
ltr	ecn no	dr	date	tolerances unless otherwise specified	angles	linear	mm	title	
					0±.2°	.004.25	←	2.5mm Rece Housing	
					0±.2°	.004.15	←	scale 1:1	
dr	TONY LENG	2017-11-22	dr	TONY LENG	2017-11-22	eng	TONY LENG	2017-11-22	
chr	ZK HU	2017-11-22	chr	ZK HU	2017-11-22	appd	TIM YAO	2017-11-22	
sheet	revision	A	A	sheet	1	2	3	4	
index		sheet		sheet		sheet		sheet	

STATUS:Released Printed: May 10, 2018 PDS: Rev: A

6 5 4 3 2 1 1 2 3 4 5 6

TERMINAL AND TAP ORIENTATION



mat'l. code		ISO 1302	tolerance	projection	product family	MinitekPWR
ltr	ecn no	dr	date	tolerances unless otherwise specified	title	
angles	linear	in	near	mm	2.5mm Rece Housing	
0±.2°	.004±.15	scale	1:1			
dr	TONY LENG	2017-11-22		dwg no	10146580	sheet 3 of 3 size A3
eng	TONY LENG	2017-11-22		type	Product Customer Drawing	
chr	ZK HU	2017-11-22				
appd	TIM YAO	2017-11-22				
sheet	revision	A	A			
index	sheet	1	2			

6 5 4 3 2 1 A B C D

## X-ON Electronics

Largest Supplier of Electrical and Electronic Components

*Click to view similar products for [Headers & Wire Housings](#) category:*

*Click to view products by [Amphenol](#) manufacturer:*

Other Similar products are found below :

[95000-104TRLF](#) [10135584-644402LF](#) [DF62W-EP2022PCA](#) [95000-106TRLF](#) [DF62W-2022SCA](#) [DF62W-EP2022PC](#) [2203348](#) [DF62W-2022SC](#) [1084018](#) [1029039](#) [1084017](#) [802-10-012-10-002000](#) [1112640](#) [1112639](#) [891-007-9SS-BST1T](#) [000-34000](#) [0008550134](#) [0009482033](#) [0009507031](#) [57102-F02-18ULF](#) [57102-S06-03LF](#) [57202-S52-04LF](#) [PCN6-15S-2.5E](#) [0039019024](#) [58102-G61-06LF](#) [582553-1](#) [0009485154](#) [0009508121](#) [0022285053](#) [0050291907](#) [018731A](#) [LY20-4P-DT1-P1E-BR](#) [02.125.8002.8](#) [60101931](#) [60598-1 \(Cut Strip\)](#) [M1625-3R/100](#) [61062-3](#) [61082-181009](#) [CSU011177004](#) [636-1427](#) [638009-1](#) [641938-9](#) [641991-4](#) [644168-1](#) [644827-2](#) [647662-1](#) [65039-019ELF](#) [65692-001LF](#) [65781-018](#) [65781-047](#)